

# IBOX-NVC2 AGX Orin

Fan Box system with NVIDIA® Jetson® AGX Orin, HDMI, 2CAN/3USB/  
2COM/2LAN(1 10GLAN) DC9-36V



AI  
Performance



Wide-Range  
DC-in



Wide  
Temp.

## Key Features

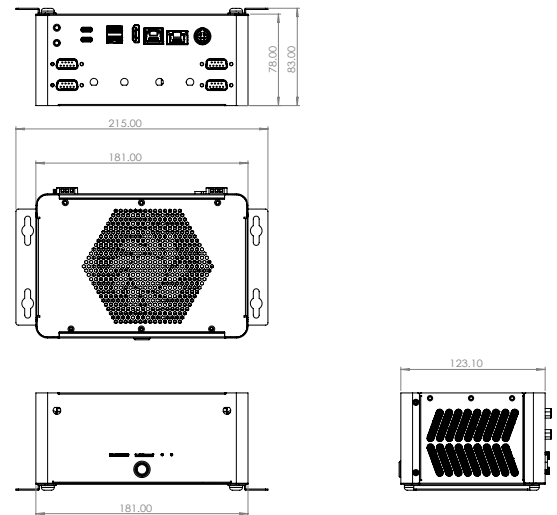
- NVIDIA® Jetson AGX Orin Module Computer
- 1 HDMI, 3 USB3.2, 2 COM, 2 CAN w/ isolation
- Dual LAN with 1 10G / 1 Gigabit
- Wide Range DC9-36V input with power Din
- Wide temperature: -25°C ~ 75°C
- Compact edge AI computing



## Product Specification

System color	Dark Gray
Mechanical	Heavy-duty steel
CPU	Arm® Cotex®-A78AE v8.2 8C 2.2GHz 40W
Graphic	1792-core NVIDIA Ampere GPU w/56 Tensor Cores up to 200 TOPs
Operation System	NVIDIA Jetpack 5.0
System memory	LPDDR5 256 bit 32GB on Module
System I/O	1 x HDMI, 3 x USB 3.2 (1 USB Type C), 2 x LAN, 2 x COM (1 RS232; 1 RS422/485), 2 x CAN (isolation), 1 x SIM
Ethernet	2 x RJ45 LAN (1 10G LAN)
Storage support	64GB eMMC ; Micro SD Card slot
Audio	1 x line out ; 1 x Mic in
Expansion slot	1 x M.2 M-Key 2280 support NVM 1 x M.2 B-Key 3042/3052 (LTE 4G/5G) 1 x M.2 E-Key 2230 support WiFi
System indicators	1 x Power LED
System controls	1 x Power Button
Digital I/O	5 x GPIO
Watchdog timer	N/A
OS Support	NVIDIA Jetpack, Linux
Power supply	DC 9-36V input, 4P Power Din
Operating temperature	-25°C ~ 75°C
Storage temperature	-40°C ~ 85°C
Relative humidity	0% ~ 90% (non-condensing)
Mounting kit	Wall mount bracket
Dimensions	181mm(W) x 123.1mm(D) x 83mm(H)
Weight	1.6Kg

## Dimensions



## Optional

Power cord	US (VN00000100CU) / EUR (VN00000200CU) / JP (VN00000300CU) / UK (VK00028600CU)
Power Adapter	90~264VAC. 120W ADAPTER (TBD)

## Ordering Information

Part Number	Description
IBOX-NVC2-ORAX-HN00-0001	Fan Box system with NVIDIA® Jetson® AGX Orin 32GB, HDMI, 2CAN/3USB/2COM/2LAN(1 10GLAN) DC9-36V

## Rear I/O

