



DLD2386-I
23.8" TFT LCD, 1200nits LED Backlight, 1920x1080

The **DLD2386-I** is a 23.8 inch industrial grade sunlight readable LCD, with high brightness **1200** nits, it produce sharp images, crisp text and lifelike colors. The Durapixel LED backlight technology ensures high reliability and low power consumption, suitable for outdoor application, kiosk, factory automation, military, transportation and gaming application.

Key Features

- High Brightness 1200 nits
- Sunlight Readable
- LED Backlight
- Wide Viewing Angle
- BL MTBF: 100,000 hours



Specifications

Model Name	DLD2386-I
Description	23.8" TFT LCD, 1200nits LED Backlight, 1920x1080
Screen Size	23.8"
Display Area (mm)	527.04(H) x 296.46(V)
Brightness	1200 cd/m ²
Resolution	1920x1080
Aspect Ratio	16 : 9
Contrast Ratio	1000 : 1
Pixel Pitch (mm)	0.2745(H) x 0.2745(V)
Pixel Pre Inch (PPI)	92
Viewing Angle	178°(H),178°(V)
Color Saturation (NTSC)	82%
Display Colors	16.7M
Response Time (Typical)	14ms
Panel Interface	LVDS
Input Interface	VGA, DVI-D, HDMI
Input Power	DC12V
Power Consumption	33W
OSD Key	4 Keys (Power Switch, Menu, +, -)
OSD Control	Brightness, Color, Contrast, Auto Turing, H/V Position...etc
Dimensions (mm)	548.2(H) x 322.6(V) x 49.5(T)
Bezel Size(U/B/L/R)	9.3/16.8/10.58/10.58 mm
Mounting	75x75, 100x100
Weight (Net)	3.9kg
Operating Temperature	0 °C ~50 °C
Storage Temperature	-20 °C ~ 60 °C

DLD= Panel + LED Driving Board + AD Control Board + Housing

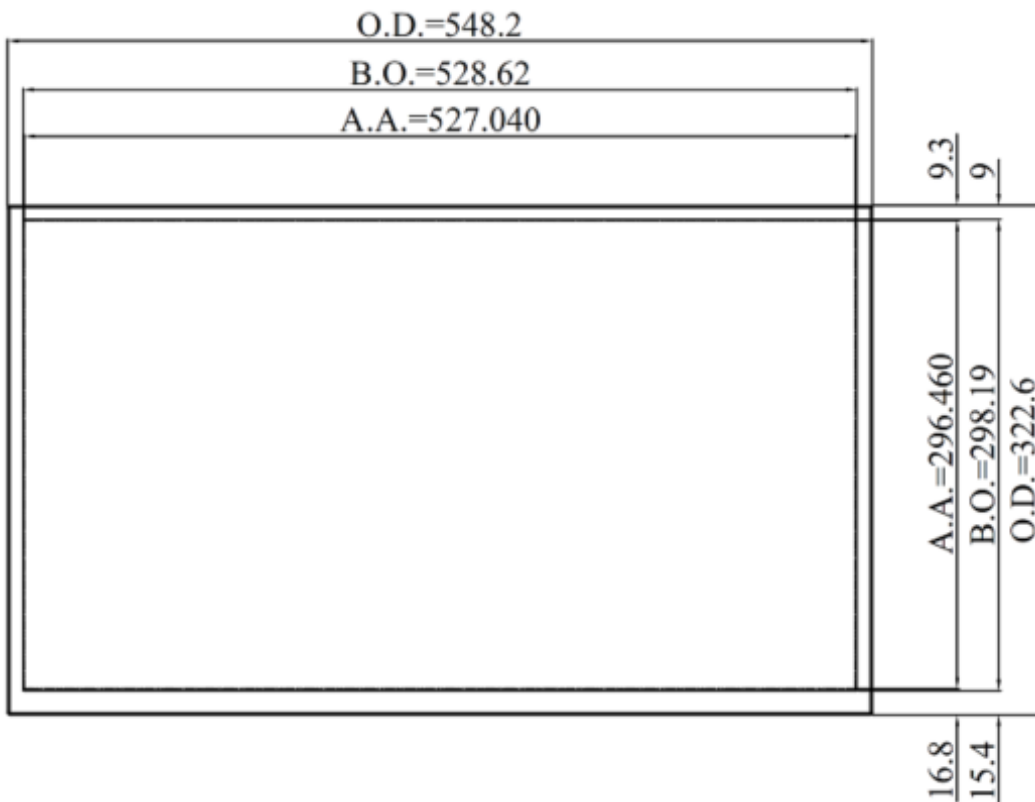
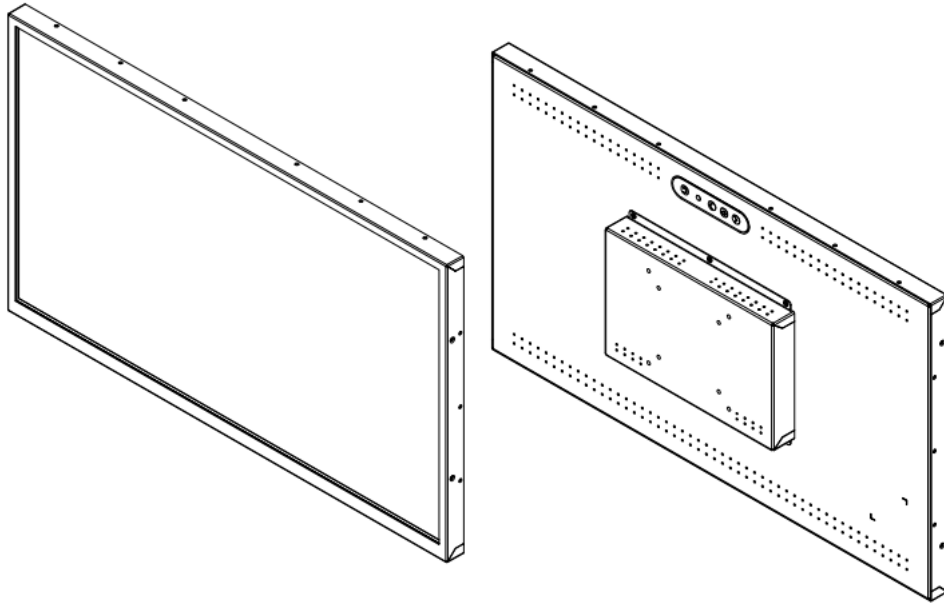
*Specifications are subject to change without notice.
 All brands or product names are trademarks or registered trademarks of their respective companies.*

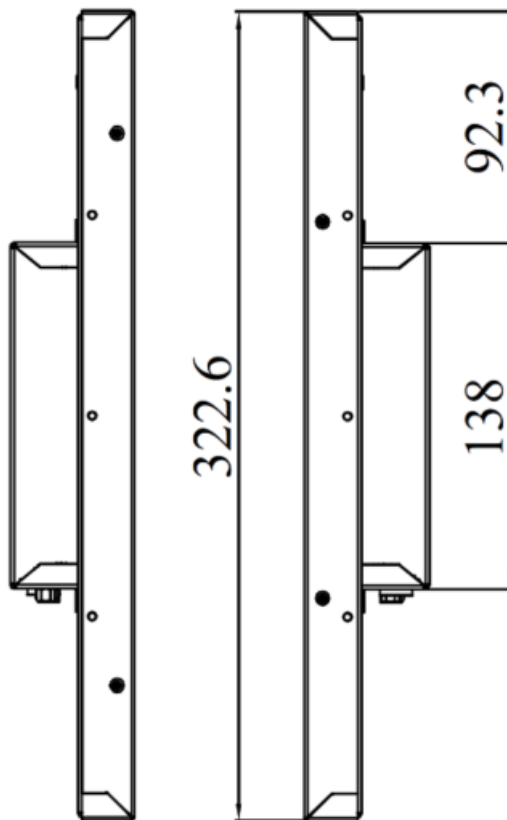
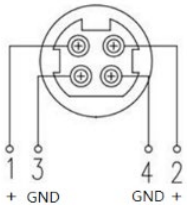
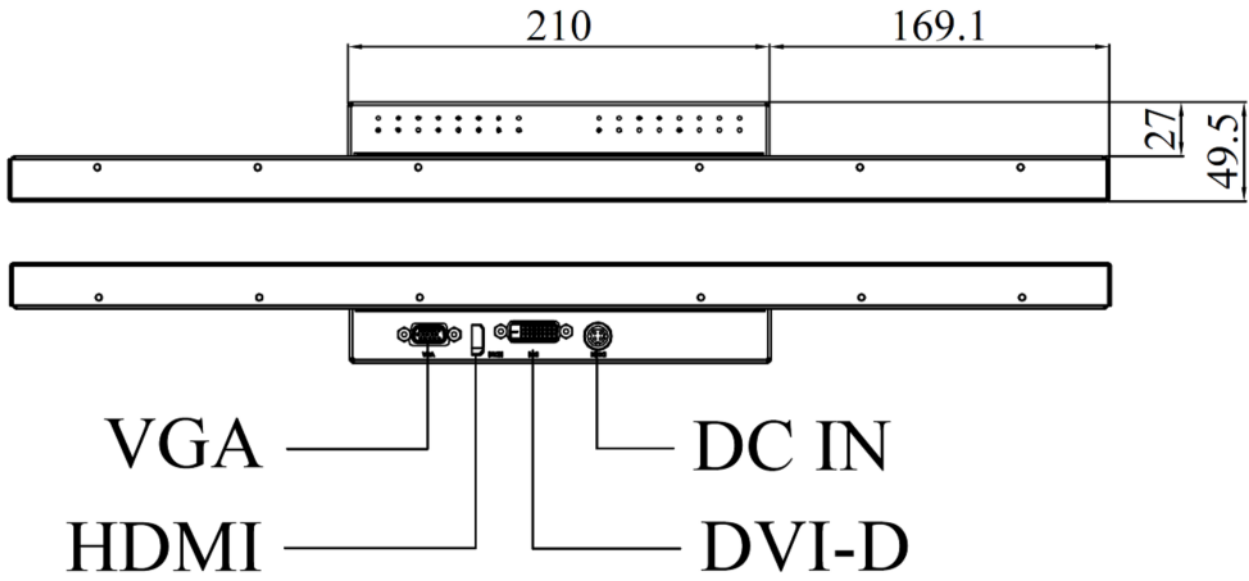


Mechanical Drawing

Outline Dimensions

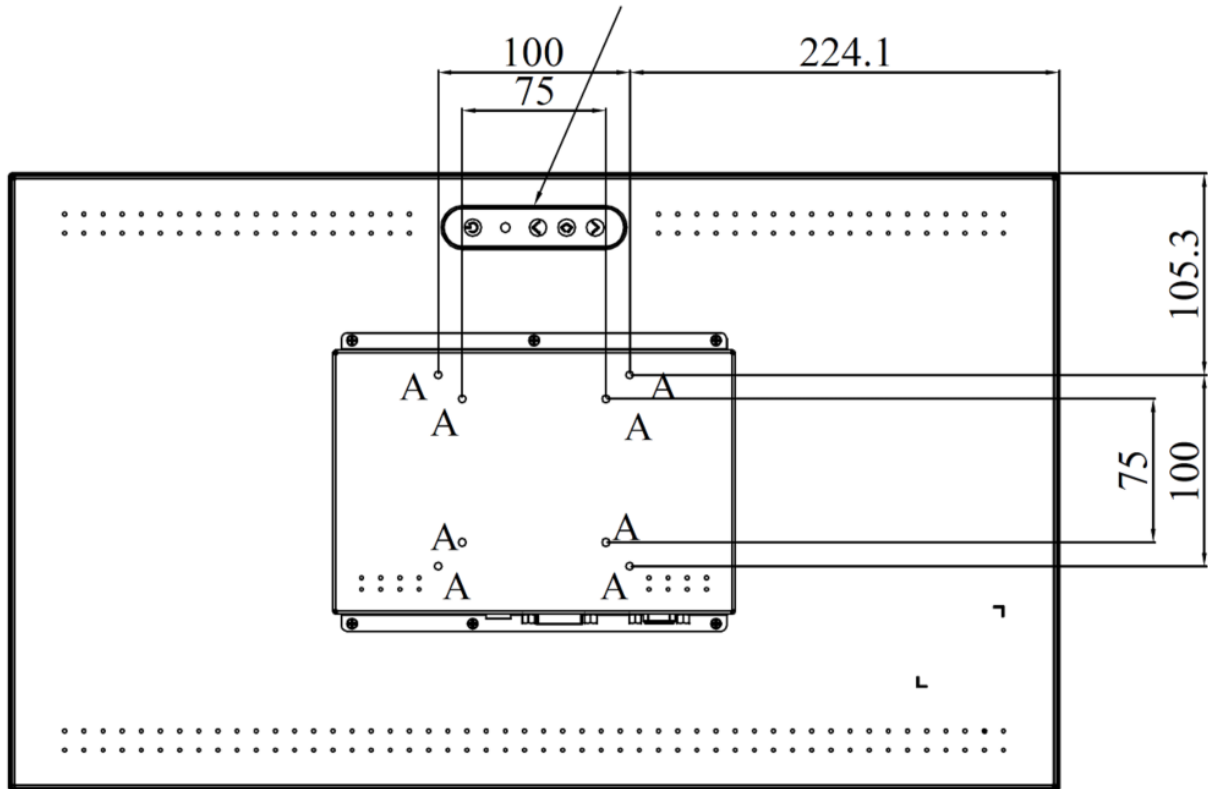
Unit:mm







MEMBRANE 4-KEYS



NOTE :

O.D. : OUTLINE DIMENSION

B.O. : BEZEL OPENING

V.A. : ACTIVE AREA

A : 4-M4 USER HOLE MAX Depth=4mm

Ordering Information

Part Number	Description
DLD2386-INB-Q11	23.8",1200nits,1920x1080,LID23C,AD8891GDH,O/B,w/paint,DC12V,5in1,V1

Optional Accessories

Part Number	Description
810618301010	CABLE,POWER,AC,1830mm USA type
810618301090	CABLE,POWER,AC,1830mm Europe type
810618301050	CABLE,POWER,AC,1830mm UK type
810618301170	CABLE,POWER,AC,1830mm Australia type
810618301031	CABLE,POWER,AC,1830mm Japan type

Customer request

Touch	SCT (Single-Touch), PCT (Multi-Touch)
Glass	Tempered glass, AR coating,.....