



DLD1047-N 10.4" TFT LCD, 1400 nits LED Backlight, 800x600

The DLD1047-N is a 10.4 inch industrial grade sunlight readable LCD, with high brightness 1400 nits, it produces sharp images, crisp text and lifelike colors. The Durapixel LED backlight technology ensures high reliability and low power consumption, suitable for outdoor application, kiosk, factory automation, military, transportation and gaming application.

Key Features

- 10.4" sunlight readable, high brightness
- Resolutions: 800x600
- LED Backlight
- Aspect ratio of 4:3
- Wide temperature (-30°C~85°C)
- Low power consumption
- BL MTBF: 100,000 hours



Specifications

Model Name	DLD1047-N
Description	10.4" TFT LCD, 1400nits LED Backlight, 800x600
Screen Size	10.4"
Display Area (mm)	211.2 (H) x 158.4(V) mm
Brightness	1400 cd/m ²
Resolution	800x600
Aspect Ratio	4:3
Contrast Ratio	1000 : 1
Pixel Pitch (mm)	0.264(H) x 0.264(V)
Pixel Pre Inch (PPI)	96
Viewing Angle	176°(H),176°(V)
Color Saturation (NTSC)	79%
Display Colors	16.7M
Response Time (Typical)	25ms
Panel Interface	LVDS
Input Interface	VGA,DVI-D,HDMI
Input Power	DC 12V
Power Consumption	9.5W
OSD Key	4 Keys (Power Switch, Menu, +, -)
OSD Control	Brightness, Color, Contrast, H/V Position...etc
Dimensions (mm)	248.2x189.3x45.5
Bezel Size(U/B/L/R)	19.2/11.7/20.3/16.7 mm
Mounting	75 x 75 mm
Weight (Net)	1.53 kg
Operating Temperature	-30°C ~ 85°C
Storage Temperature	-30°C ~ 85°C

DLD= Panel + LED Driving Board + AD Control Board + Chassis

Specifications are subject to change without notice.

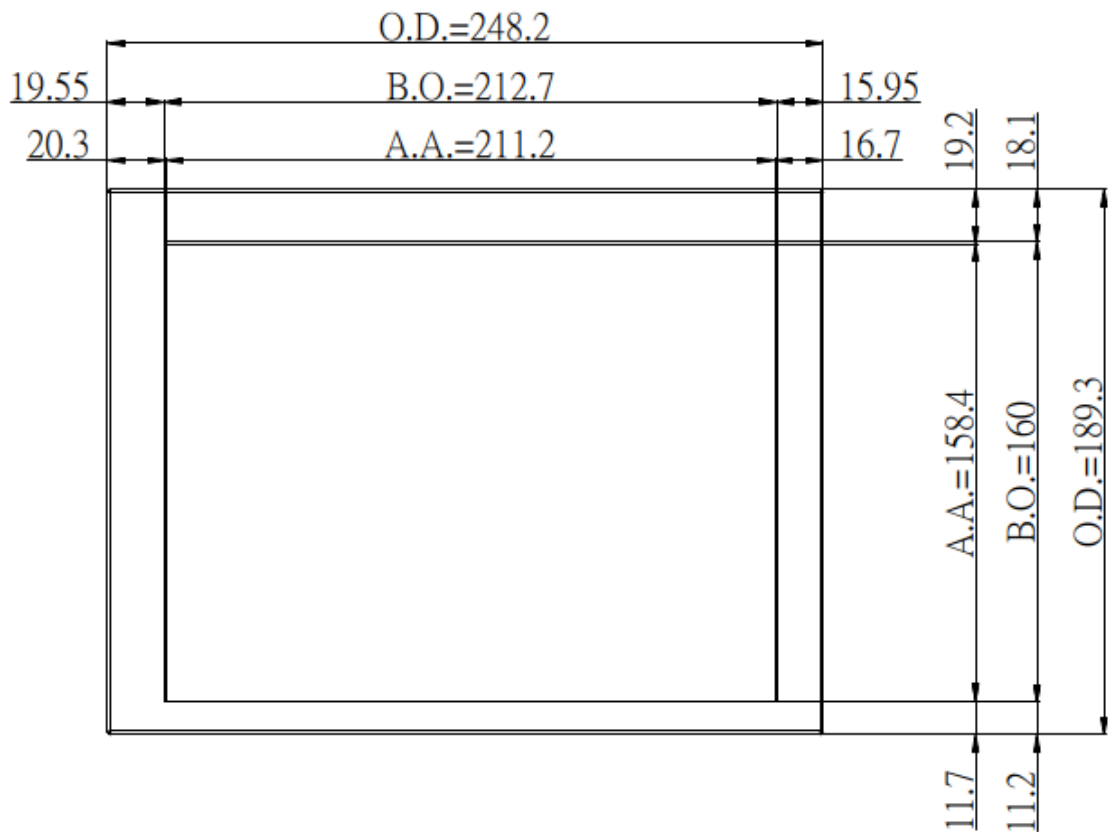
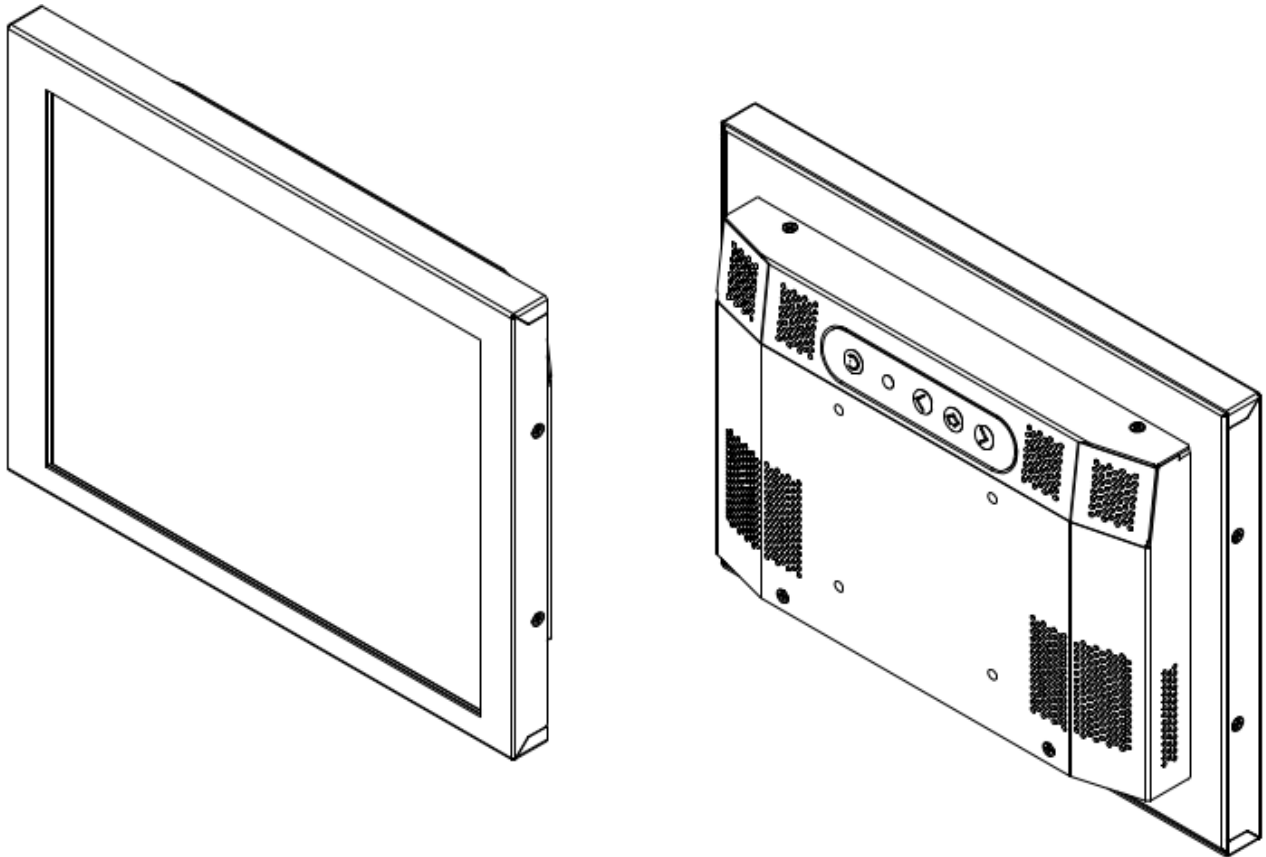
All brands or product names are trademarks or registered trademarks of their respective companies.

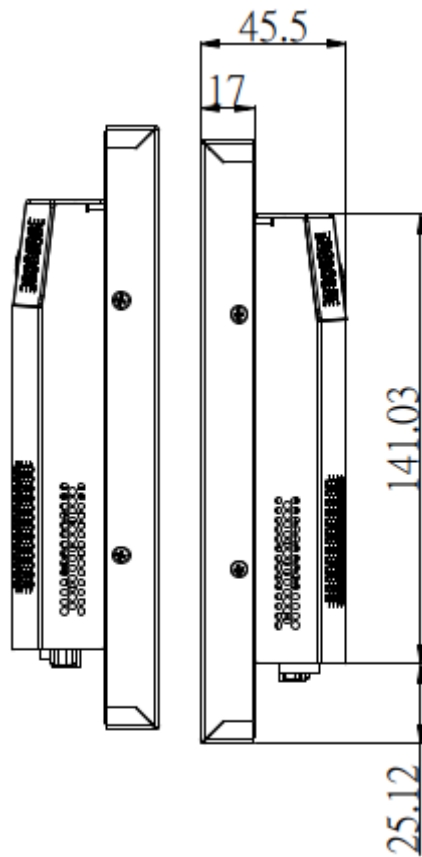
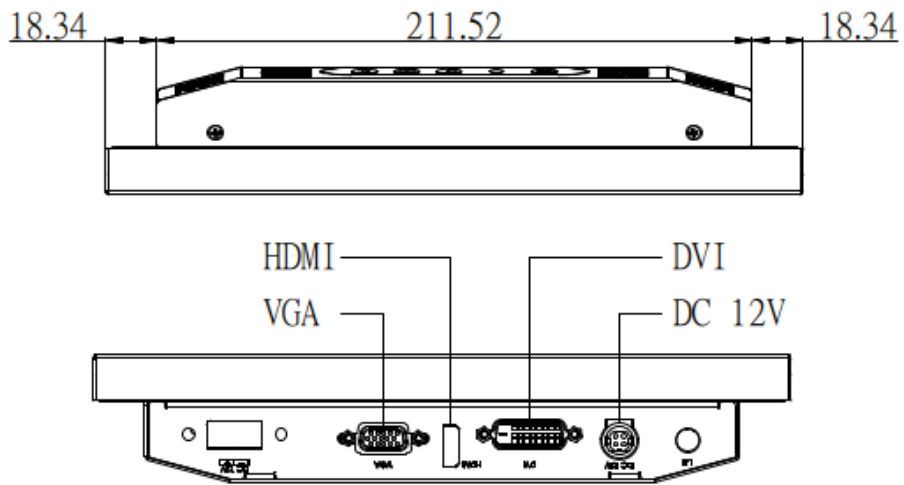


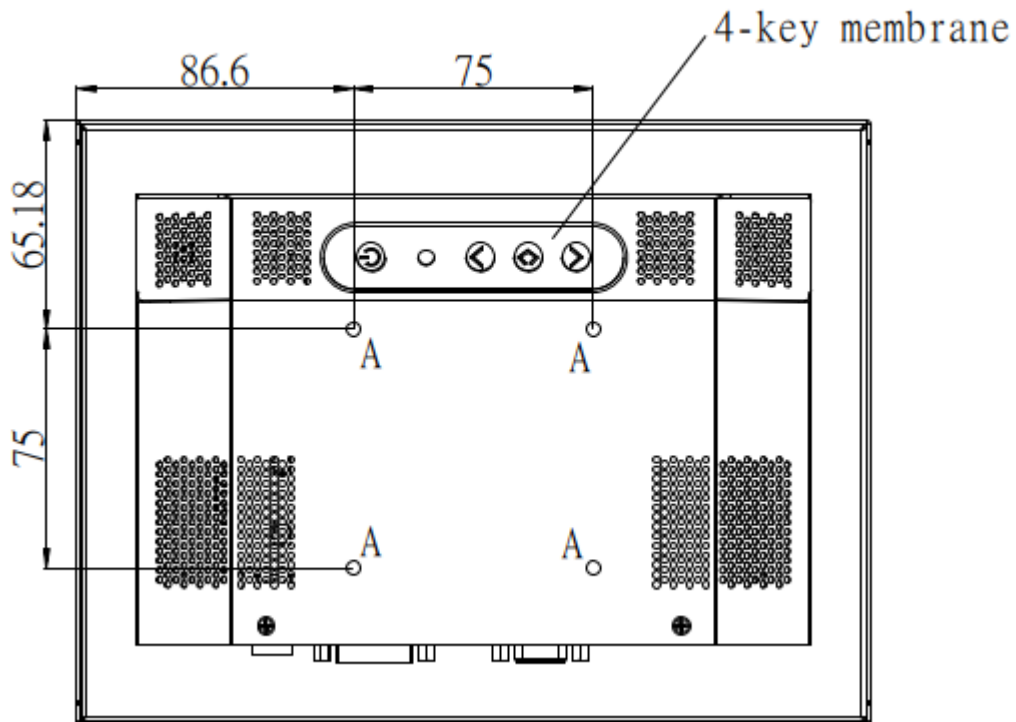
Mechanical Drawing

Outline Dimensions

Unit:mm







Note :

O.D. : OUTLINE DIMENSION

B.O. : BEZEL OPENING

A.A. : ACTIVE AREA

A : 4 - M4_USER HOLE_MAX Depth = 6mm

Ordering Information

Part Number	Description
DLD1047-NNB-Q11	10.4",1400nits,800x600,T3085,LID12C,AD8891GDH,O/B,DC12V,5in1,V1

Optional Accessories

Part Number	Description
810618301010	CABLE,POWER,AC,1830mm USA type
810618301090	CABLE,POWER,AC,1830mm Europe type
810618301050	CABLE,POWER,AC,1830mm UK type
810618301170	CABLE,POWER,AC,1830mm Australia type
810618301030	CABLE,POWER,AC,1830mm Japan type