



DLF/DLH0765-I **7" TFT LCD, 1000 nits LED Backlight, 1024x600**

The **DLF/DLH0765-I** is a 7 inch industrial grade sunlight readable LCD, with high brightness **1000** nits, it produces sharp images, crisp text and lifelike colors. The Durapixel LED backlight technology ensures high reliability and low power consumption, suitable for outdoor application, kiosk, factory automation, military, transportation and gaming application.

Key Features

- High brightness 1000 nits
- Sunlight readable
- Resolutions: 1024x600
- LED Backlight
- Aspect ratio of 16:9
- Wide temperature (-20°C ~ 70 °C)
- Low power consumption
- BL MTBF: 100,000 hours



Specifications

Model Name	DLF/DLH0765-I
Description	7" TFT LCD, LED Backlight 1000 nits, 1024x600
Screen Size	7"
Display Area (mm)	154.21(H) x 85.92(V) mm
Brightness (Typical)	1000 cd/m2
Resolution	1024x600
Aspect Ratio	16 : 9
Contrast Ratio (Typical)	1100 : 1
Pixel Pitch (mm)	0.1506(H) x 0.1432(V)
Pixel Pre Inch (PPI)	170
Viewing Angle	160°(H),130°(V)
Color Saturation (NTSC)	66%
Display Colors	16.7M
Response Time (Typical)	25ms
Panel Interface	LVDS
Input Interface	VGA,DVI-D,HDMI
Input Power	DC12V
Power Consumption	3W (6W with AD Board)
OSD Key	4 Keys (Power Switch, Menu, +, -)
OSD Control	Brightness, Color, Contrast, Auto Turing, H/V Position...etc
Dimensions (mm)	164.9x100x4.8 mm
Bezel Size(U/B/L/R)	4.58/9.5/3.845/6.845 mm
Weight (Net)	0.3 kg
Operating Temperature	-20 °C ~ 70 °C
Storage Temperature	-30 °C ~ 80 °C

DLF= Panel+ LED Driving Board

DLH= Panel+ LED Driving Board + AD Control Board

Specifications are subject to change without notice.

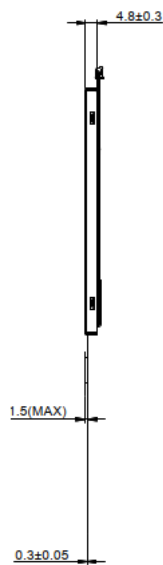
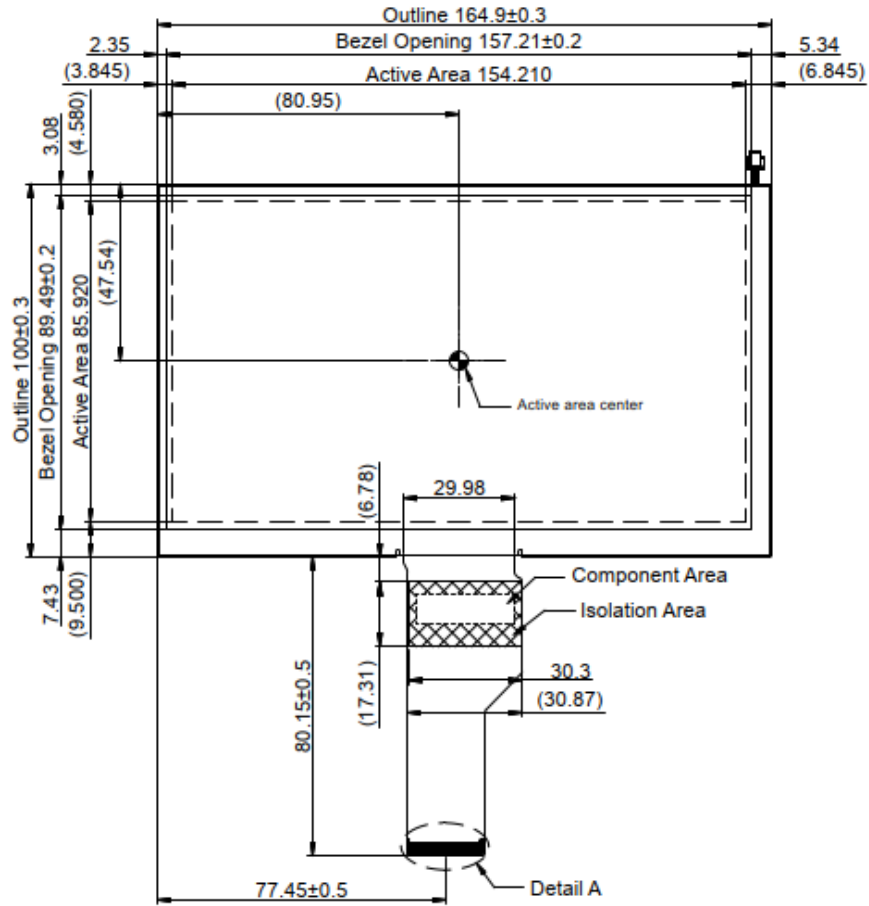
All brands or product names are trademarks or registered trademarks of their respective companies.

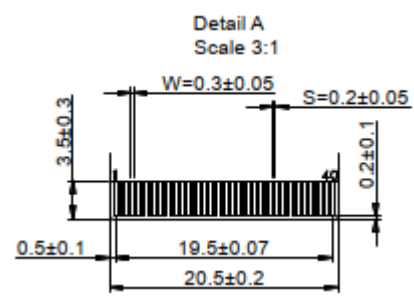
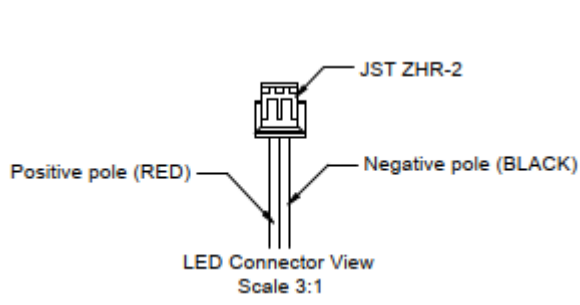
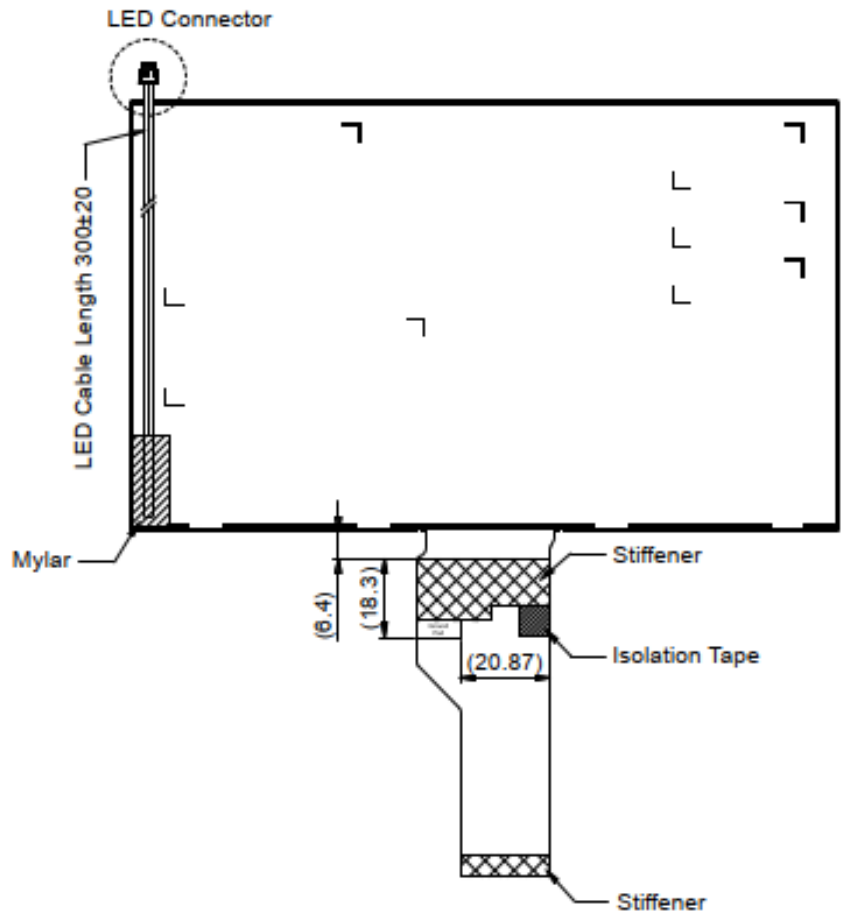


Mechanical Drawing

Outline Dimensions

Unit:mm





- Note :
- 1.Display mode: normally white.
 - 2.Resolution: 1024x600.
 - 3.Pixel Size: 0.1506*0.1432.
 - 4.General fillet: 0.3R.
 - 5.(): reference dimensions.



Ordering Information

Part Number	Description
DLF0765-INN-A11	7",1000nits,1024*600,T2070,LID7B,10 in 1,V1
DLH0765-INN-Q11	7",1000nits,1024x600,T2070,LID7B,AD8891G-DH,10in1,V1

Optional Accessories

Part Number	Description
840612031102	ADAPTER.12V,3.33A.40W.G99-KPL040F-L001.Level 6,DC Plug 2.1*5.5,P
810618301010	CABLE,POWER,AC,1830mm USA type
810618301090	CABLE,POWER,AC,1830mm Europe type
810618301050	CABLE,POWER,AC,1830mm UK type
810618301170	CABLE,POWER,AC,1830mm Australia type
810618301030	CABLE,POWER,AC,1830mm Japan type

By Customer Request

Touch	PCT (Multi-Touch)
Glass	Tempered glass, AR coating.....