



ULO2153-B 21.5" TFT LCD, 500nits LED Backlight, 1920 x 1080

The ULO2153-B is a 21.5 inch industrial grade LCD, with high brightness 500 nits, it produce sharp images, crisp text and lifelike colors. The Ubipixel LED backlight technology ensures high reliability and low power consumption, suitable for outdoor application, kiosk, factory automation, military, transportation and gaming application.

Key Features

- Resolutions: 1920 x 1080
- LED Backlight
- Aspect ratio of 16:9
- Wide temperature (-20 °C ~ 70 °C)
- LCD Blacking Defect Free (Hi-Tni 105°C)
- Low power consumption
- BL MTBF: 30,000 hours



Specifications

Model Name	ULO2153-B
Description	21.5" TFT LCD, 500 nits LED Backlight, 1920x1080
Screen Size	21.5
Display Area (mm)	476.64(H) x 268.11(V)
Brightness	500 cd/m ²
Resolution	1920x1080
Aspect Ratio	16:9
Ultra high Contrast Ratio	1200 : 1
Pixel Pitch (mm)	0.24825(H) x 0.24825(V)
Pixel Pre Inch (PPI)	102
Viewing Angle	178°(H),178°(V)
Color Saturation (NTSC)	81%
Display Colors	16.7M
Response Time (Typical)	14 ms
Panel Interface	LVDS
AD Board Input Interface	HDMI,DP
AD Board Input Power	DC12V
Power Consumption	33.6W
OSD Key	4 Keys (Power Switch, Menu, +, -)
OSD Control	Brightness, Color, Contrast, Auto Turing, H/V Position...etc
Dimensions (mm)	498.2x 294.8x 47.5
Bezel Size(U/B/L/R)	13.34/13.34/10.78/10.78
Weight (Net)	3.8 Kg
Mounting	75 x 75 、 100 x 100 mm
Operating Temperature	-20 °C ~ 70 °C
Storage Temperature	-30 °C ~ 85 °C

ULO= Panel + LED Driving Board + AD Control Board + Chassis

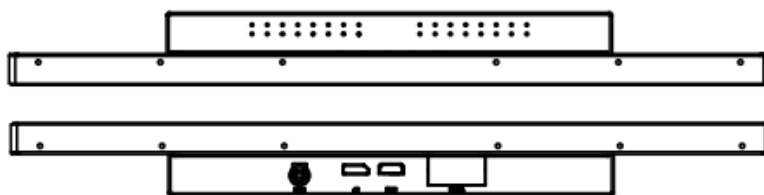
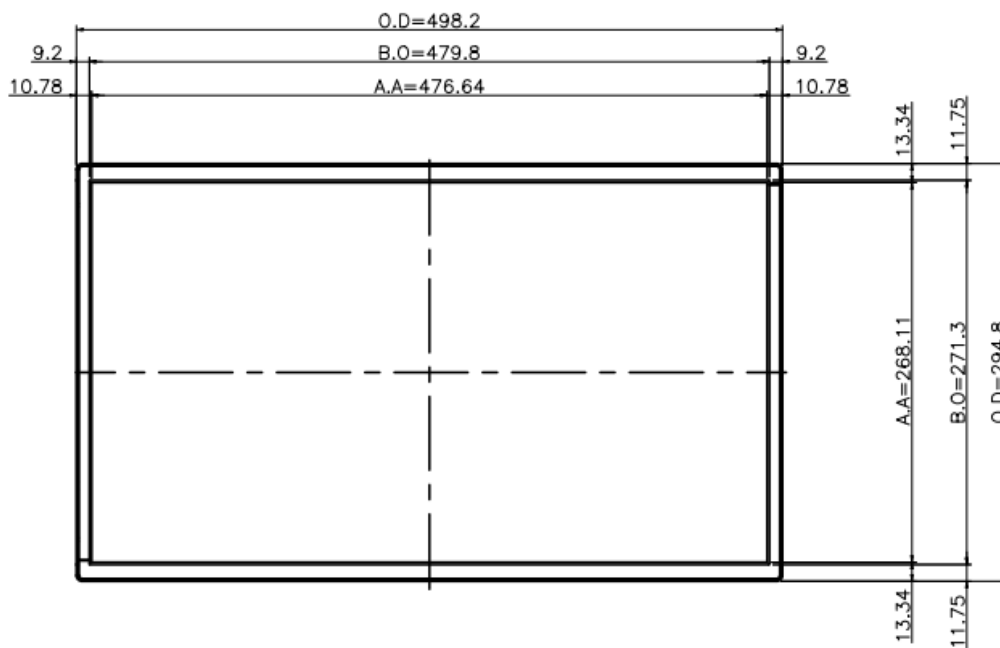
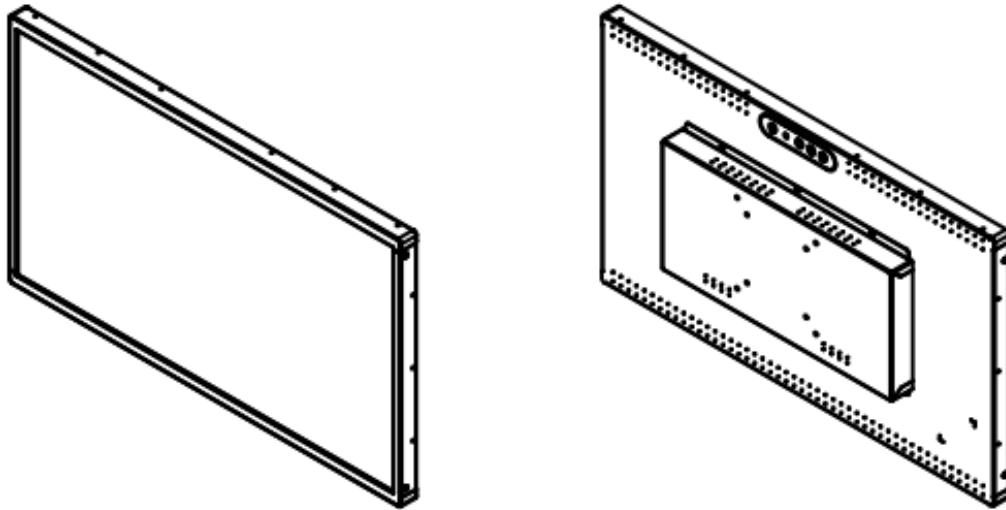
*Specifications are subject to change without notice.
All brands or product names are trademarks or registered trademarks of their respective companies.*

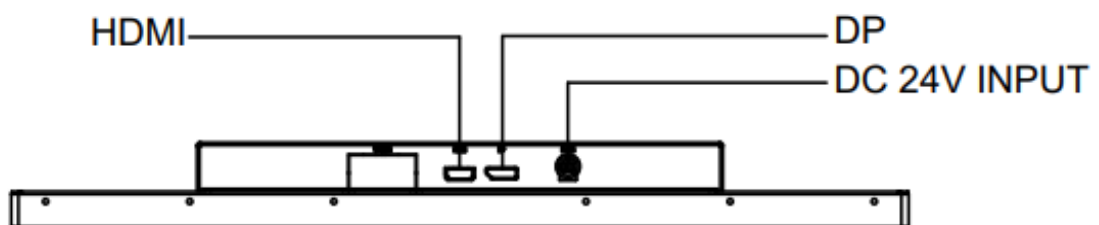
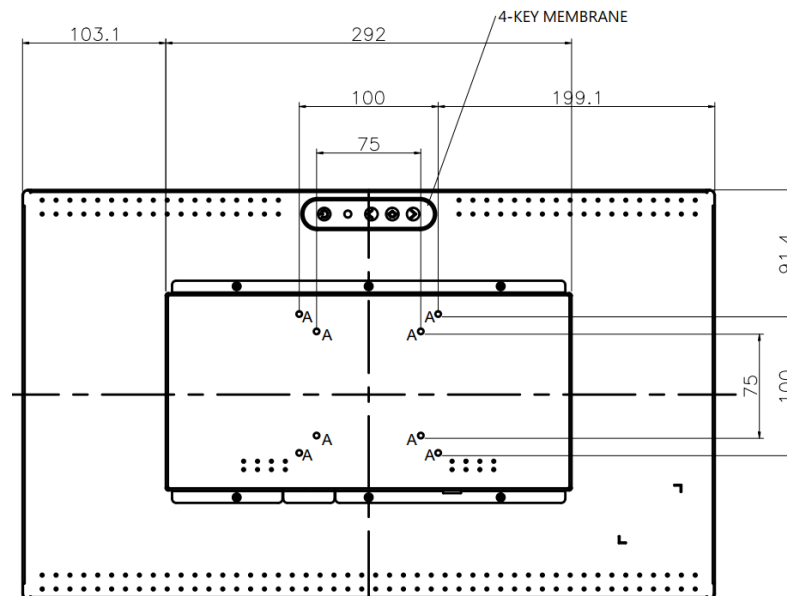
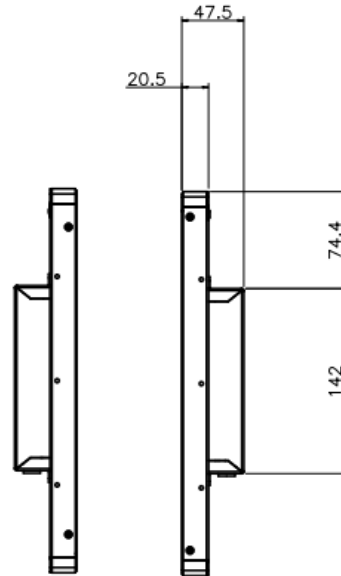


Mechanical Drawing

Outline Dimensions

Unit:mm





Note :
 O.D. : Outline Dimension
 B.O. : Bezel Opening
 A.A. : LCD Active Area
 A : 8-M4_USER HOLE_MAX_DEPTH=5mm



Ordering Information

Part Number	Description
ULO2153-BHB-T11	21.5",500nits,1920x1080,T2070,HTni,LID21C,AD68862HP,O/B,DC12V,5in1,V1

Optional Accessories

Part Number	Description
810618301010	CABLE,POWER,AC,1830mm USA type
810618301090	CABLE,POWER,AC,1830mm Europe type
810618301050	CABLE,POWER.AC,1830mm UK type
810618301170	CABLE,POWER,AC,1830mm Australia type
810618301031	CABLE,POWER,AC,1830mm Japan type

Customer request

Touch	PCT (Multi-Touch)
Glass	Tempered glass, AR coating.....