

# IPPS-0704-HMIO-NP00-1001



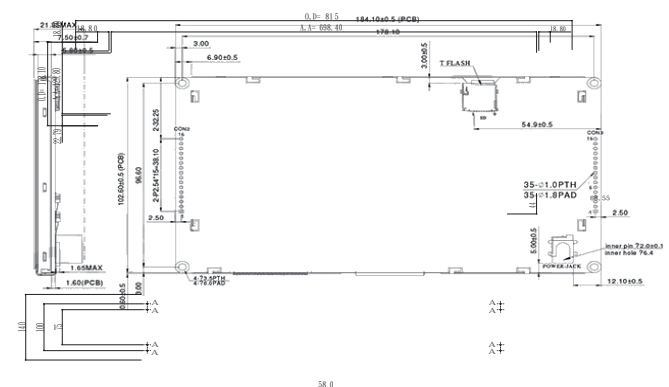
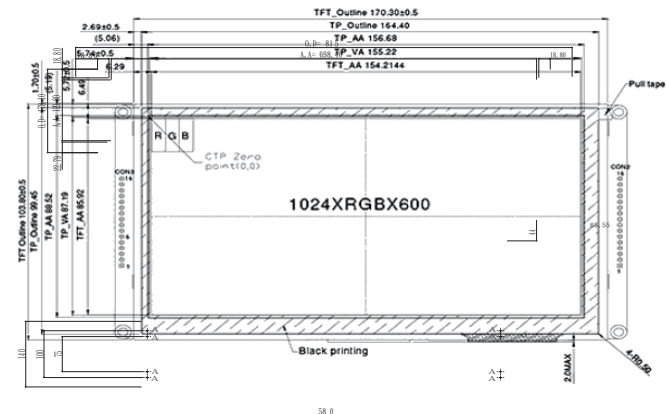
## Key Features

- High contrast ratio
- Wide temperature design
- Wide range power support
- Support capacitive touch panel (CTP)

## Product Specification

Display	
LCD display size	7 inch
Display type	TFT, Normally Black, Transmissive
Resolution	1024 x 600
Luminance/Brightness	Min: 800; Typ: 850 (cd/m <sup>2</sup> )
Pixel pitch (H/V)	0.1506mm x 0.1432mm
Aspect Ratio	16:9
Contrast ratio	800 (Min: 600)
Viewing angle	85/85/85/85
Touch Panel	Projected Capacitive Touch Screen, PCAP
Main System	
Communication Interface	CANBus differential ± 3.3
MCU	STM32F746
Flash Memory	16MB
System I/O	CANBus, UART, JTAG
System controls	CAN Open
Power supply	+12V power supply input with 5V to 16V dynamic range power input (the power consumption around 8 Watt. )
Environment	
Operating temperature	-20°C ~ 70°C
Storage temperature	-30°C ~ 80°C
Relative humidity	40% ~ 90% RH
Dimensions	184.1(W) x 103.8(H) x 22(D)
Weight	0.28 kg

## Dimensions



## Ordering Information

Part Number	Description
IPPS-0704-HMIO-NP00-1001	7", 850nits, 1024x600, P-CAP, STM32F746, Canbus ,16MB Flash Memory, DC5V~16V