



SSD4959-I

49.5" LCD, 1800 nits LED Backlight , 3840x1080 ultra-wide aspect ratio 16:4.5

The SSD4959-I is a 49.5 inch color TFT-LCD display with special aspect ratio 16:4.5 and wide resolution 3840 x 1080. It is Litemax's Spanixel series product which designed for high brightness 1800 nits with power efficiency LED backlight. It provides LCD panel with specific aspect ratios and sunlight readable for digital signage, public transportation, exhibition hall, department store, and vending machine.

Key Features

- 49.5" Resizing LCD
- Ultra-Wide Screen (16 : 4.5)
- High Brightness 1800 nits
- LED Backlight
- Wide Viewing Angle of 178°(H), 178°(V)
- Low Power Consumption
- BL MTBF: 100,000 hours



Specifications

Model Name	SSD4959-I
Description	49.5" Resizing LCD, 1800 nits LED backlight, 3840x1080
Screen Size	49.5"
Display Area (mm)	1209.6(H) x 340.2(V)
Brightness	1800 cd/m ²
Resolution	3840x1080
Aspect Ratio	16 : 4.5
Contrast Ratio	6400 : 1
Pixel Pitch (mm)	0.315(H) x 0.315(V)
Pixel Pre Inch (PPI)	81
Viewing Angle	178°(H),178°(V)
Color Saturation (NTSC)	82%
Display Colors	1.07G
Response Time (Typical)	9.5ms
Panel Interface	V-by-One
Input Interface	HDMI x 2, DP
Input Power	AC100~240V
Power Consumption	115W
OSD Key	5 Keys (Power Switch, Menu, +, Exit, -)
OSD Control	Brightness, Color, Contrast, Auto Turing, H/V Position...etc
Dimensions (mm)	1247.2(H) x 381.3(V) x 68.4 (T)
Bezel Size(U/B/L/R)	20.6/20.6/18.8/18.8 mm
Mounting	300x75, 650x100
Weight (Net)	18.5kg
Operating Temperature	0 °C ~ 50 °C
Storage Temperature	-20 °C ~ 60 °C

SSD= Panel + LED Driving Board + AD Control Board + Housing

Specifications are subject to change without notice.

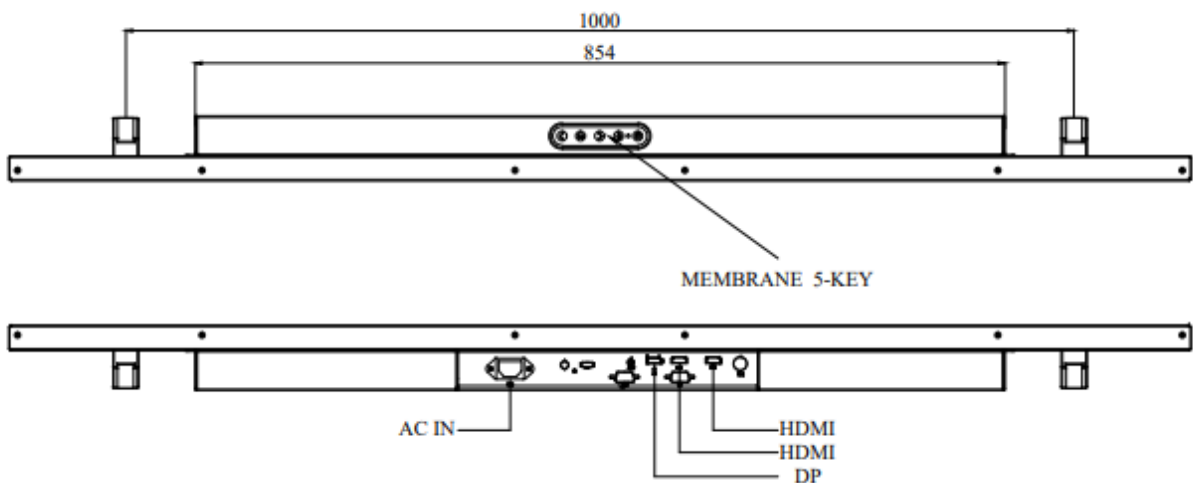
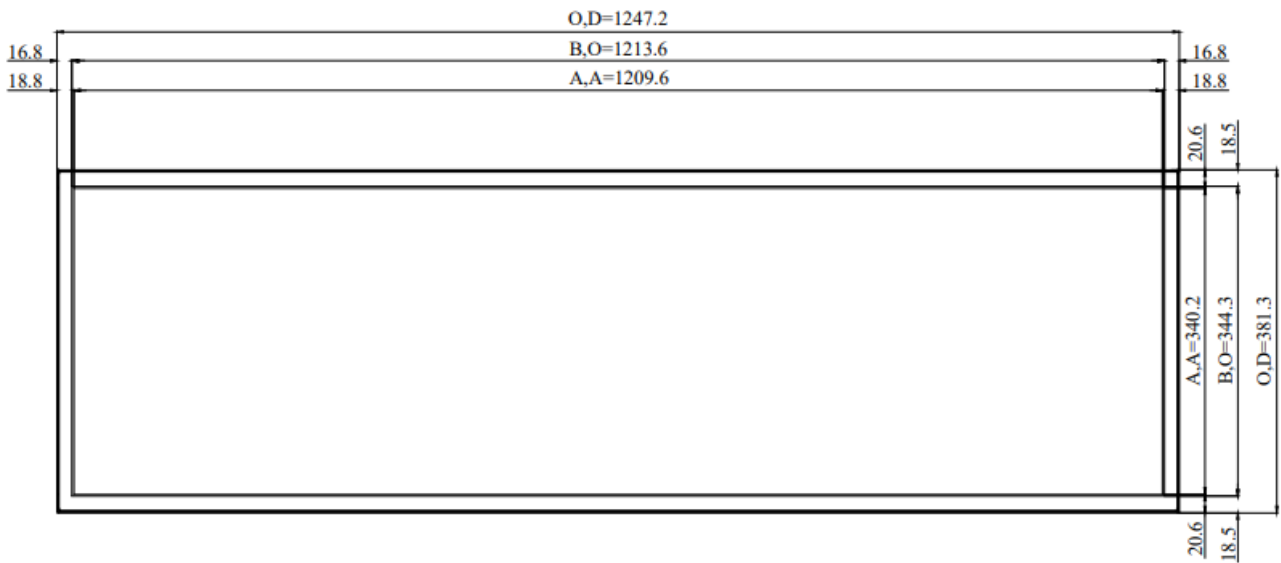
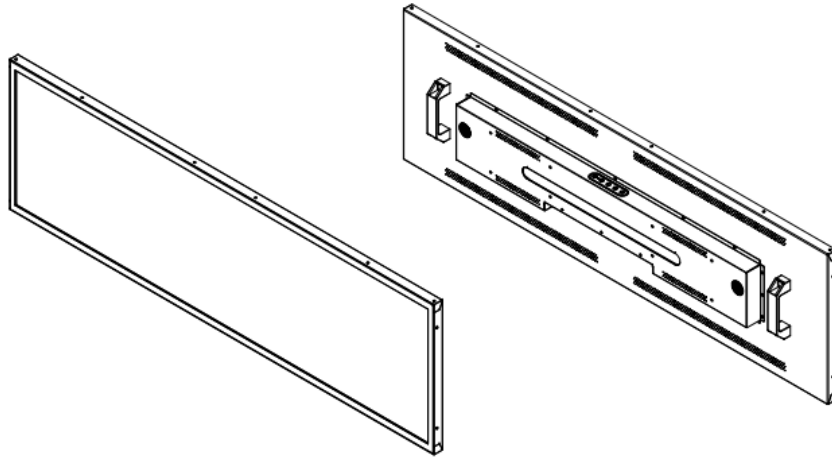
All brands or product names are trademarks or registered trademarks of their respective companies.

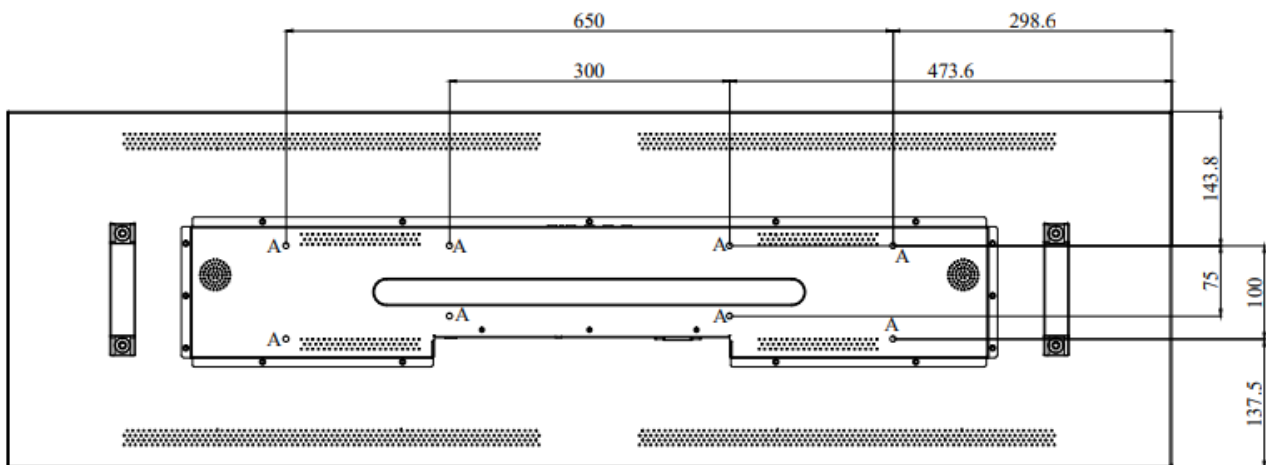
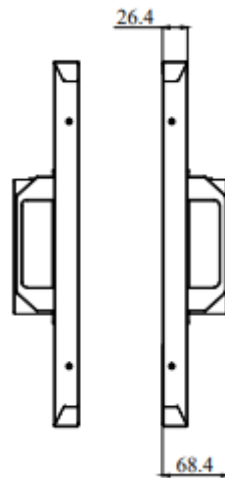


Mechanical Drawing

Outline Dimensions

Unit:mm





NOTE :

O.D. : OUTLINE DIMENSION

B.O. : BEZEL OPENING

A.A. : LCD ACTIVE AREA

A : 8-M6_USER HOLE_MAX Depth=8mm



Ordering Information

Part Number	Description
SSD4959-INU-S11	49.5",1800nits,3840x1080,LID49C,AD68415HHP,O/B,AC100~240V,3in1,V1

Optional Accessories

Part Number	Description
810618301010	CABLE,POWER,AC,1830mm USA type
810618301090	CABLE,POWER,AC,1830mm Europe type
810618301050	CABLE,POWER,AC,1830mm UK type
810618301170	CABLE,POWER,AC,1830mm Australia type
810618301031	CABLE,POWER,AC,1830mm Japan type

Customer request

Touch	SCT (Single-Touch), PCT (Multi-Touch)
Glass	Tempered glass, AR coating.....