



DLF/DLH0848-T 8.4" TFT LCD, 1600 nits LED Backlight, 1024x768

The DLF/DLH0848-T is a 8.4 inch industrial grade sunlight readable LCD, with high brightness 1600 nits, it produces sharp images, crisp text and lifelike colors. The Durapixel LED backlight technology ensures high reliability and low power consumption, suitable for outdoor application, kiosk, factory automation, military, transportation and gaming application.

Key Features

- High Brightness 1600 nits
- Sunlight Readable
- Wide Viewing Angle: 176°(H),176°(V)
- LED Backlight
- Low Power Consumption
- Wide Temperature (-30 °C ~ 80 °C)
- BL MTBF: 100,000 hours



Specifications

Model Name	DLF/DLH0848-T
Description	8.4" TFT LCD, 1600 nits LED Backlight, 1024x768
Screen Size	8.4"
Display Area (mm)	170.496(H) x 127.872(V)
Brightness	1600 cd/m ²
Resolution	1024x768
Aspect Ratio	4 : 3
Contrast Ratio	1400 : 1
Pixel Pitch (mm)	0.1665(H) x 0.1665(V)
Pixel Per Inch (PPI)	152
Viewing Angle	176°(H),176°(V)
Color Saturation (NTSC)	81%
Display Colors	16.7M
Response Time (Typical)	25ms
Panel Interface	LVDS
Input Interface	VGA, DVI-D, HDMI
Input Power	DC12V
Power Consumption	7.7W (8.1W with AD Board)
OSD Key	4 Keys (Power Switch, Menu, +, -)
OSD Control	Brightness, Color, Contrast, Auto Turing, H/V Position...etc
Dimensions (mm)	199.5 x 149 x 9.7 mm
Bezel Size(U/B/L/R)	10.759/10.309/14.502/14.502 mm
Weight (Net)	0.5kg
Operating Temperature	-30 °C ~ 80 °C
Storage Temperature	-40 °C ~ 90 °C

DLF= Panel + LED Driving Board

DLH= Panel + LED Driving Board + AD Control Board

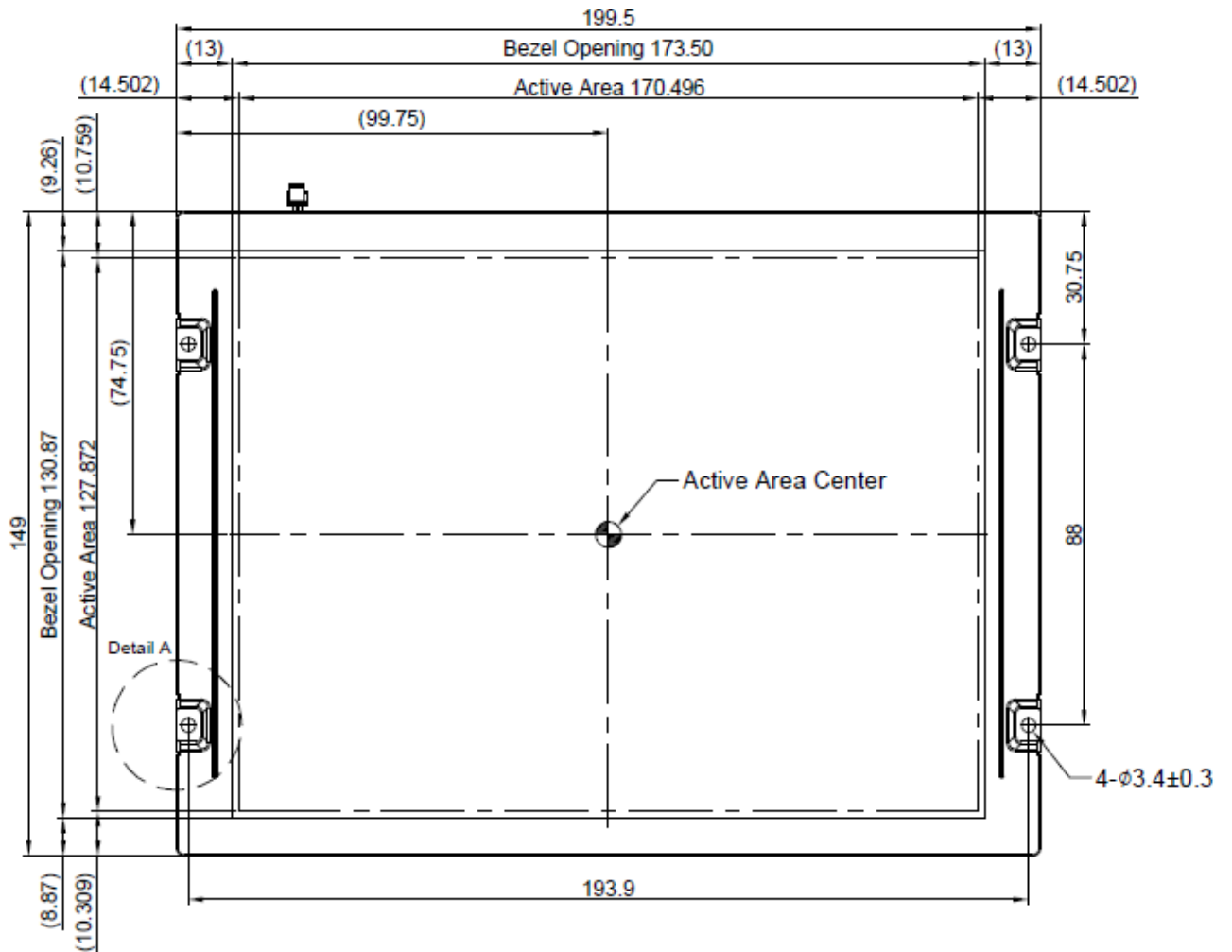
*Specifications are subject to change without notice.
All brands or product names are trademarks or registered trademarks of their respective companies.*



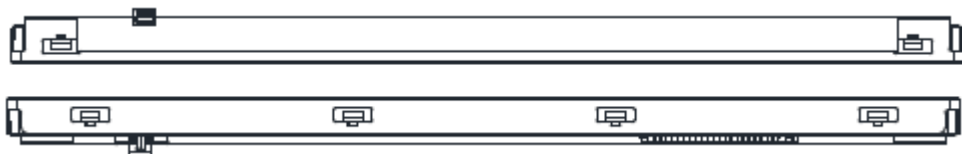
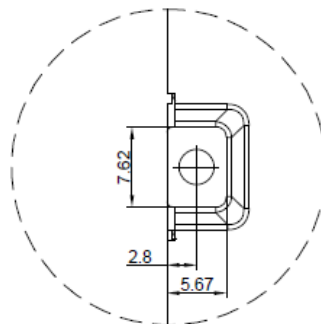
Mechanical Drawing

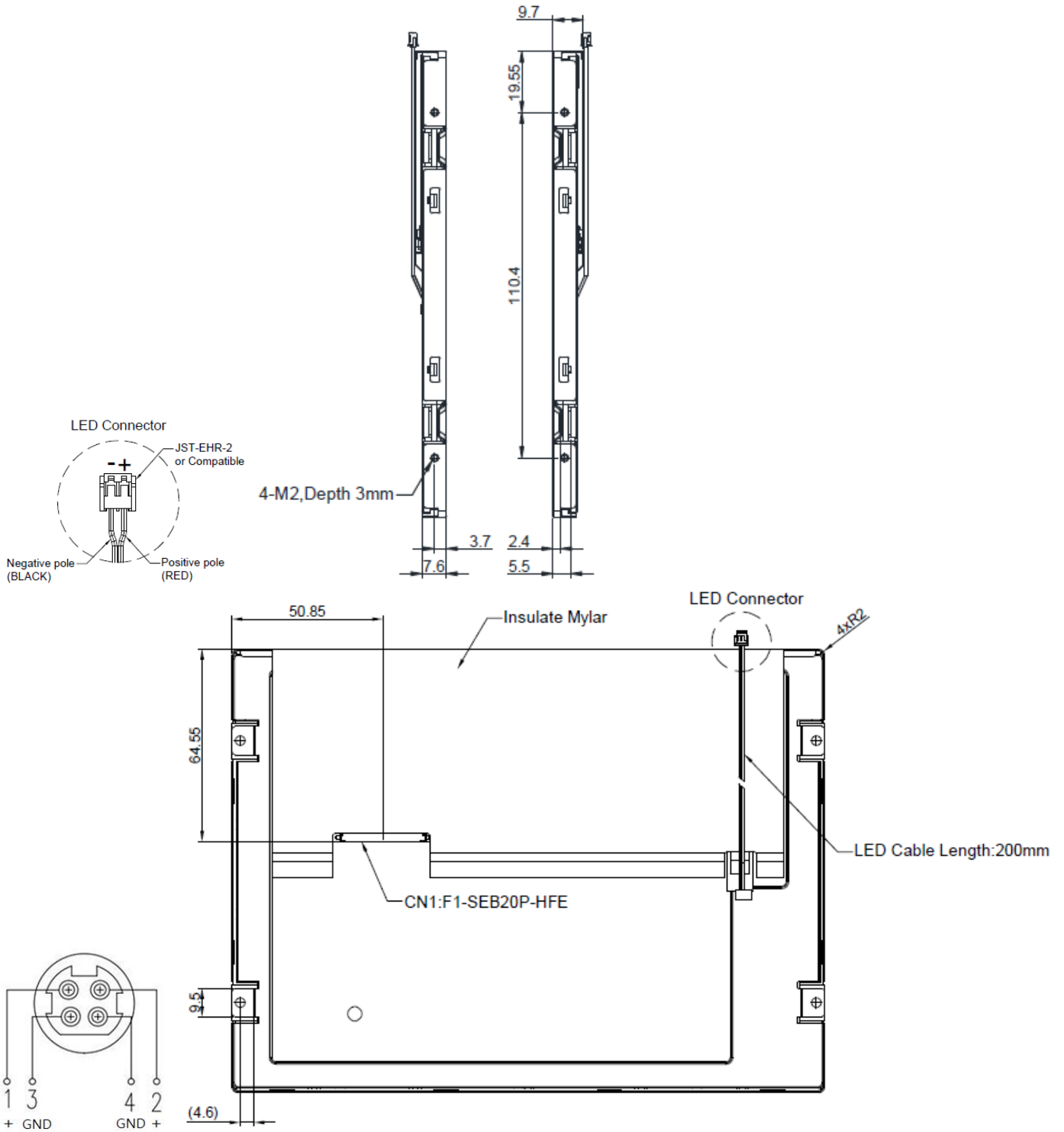
Outline Dimensions

Unit: mm



Detail A (Scale 3:1)





Note

1. Resolution : 1024 x 768
2. Unspecified Tolerance : ± 0.50 mm
3. "()" marks the reference dimension
4. Front Case is no paint



Ordering Information

Part Number	Description
DLF0848-TNN-A11	8.4",1600nits,1024x768,T3080,LID08C,8in1,V1
DLH0848-TNN-Q11	8.4",1600nits,1024x768,T3080,LID08C,AD8891GDH,DC12V,8in1,V1

Optional Accessories

Part Number	Description
840612051212	ADAPTER,AC/DC,12V/5A,60W,Power-Din-4P,CWT,G99-ABF060F-N022,Efficiency-level-6,R
810618301010	CABLE,POWER,AC,1830mm USA type
810618301090	CABLE,POWER,AC,1830mm Europe type
810618301050	CABLE,POWER,AC,1830mm UK type
810618301170	CABLE,POWER,AC,1830mm Australia type
810618301031	CABLE,POWER,AC,1830mm Japan type

Customer request

Touch	SCT (Single-Touch), PCT (Multi-Touch)
Glass	Tempered glass, AR coating.....