

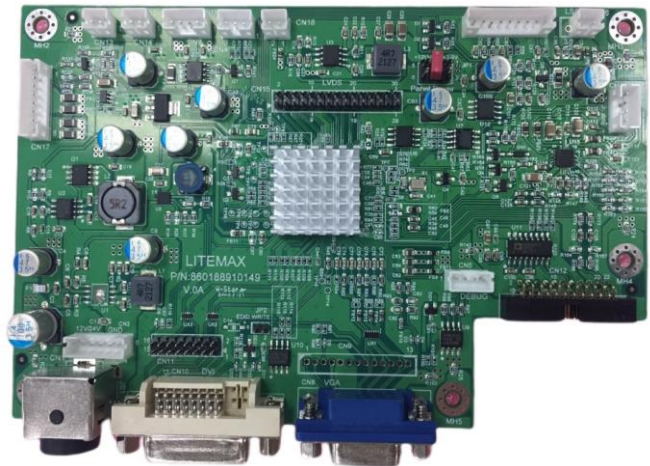
AD8891GD

Display Control Board, WUXGA (1920x1200)

AD8891GD is a high integrated display controller solution for producing real time, top quality digital video and computer graphic images on LCD panel. The AD8891GD provides an ideal interface between industry standard digital graphics controllers and a wide variety of LCD panel devices. It has a VGA and DVI-D input.

Key Features

- Max Resolution Up To WUXGA (1920x1200)
- Analog RGB Input up to 205MHz
- Ultra-Reliable DVI-D Input
- Dual/Single LVDS interface
- Inverter Analog or PWM Dimming Control.
- Support Panel DC 3.6V/5V/12V Output
- OSD Control
- External RS232 control (Optional)
- Input Power DC 12V or 24V (Optional)
- Audio Speaker Out (MAX 3W 4Ω)(optional) , Audio In (Optional)
- *External Digital Light Sensor Brightness Control (Optional)
- *External Light Sensor Brightness Control or VR (Optional)
- Support Output Voltage 12V(1A) and 5V(1A)
- External FAN control (Optional)



Specifications

V1

Model No.	AD8891GD
Max. Resolution	WUXGA (1920x1200)
Interface	Dual/Single LVDS
Input Power	DC 12V/24V (Optional)
Panel Power Selection	3.6, 5V,12V
Video Input	VGA, DVI-D
Light Sensor	Yes (Optional)
RS232 Control Port	Yes (Optional)
External VR Control	Yes (Optional)
Board Dimension	150 x 100 mm
F / R Control Button	<input type="checkbox"/> 4 Key
<input type="checkbox"/> 4 Key	Power Switch, Menu, Select (+,-)
OSD Menu	Brightness, Color, Contrast, Auto Turing, H/V Position...etc
Operating Temperature	-30 °C ~ 85 °C
Storage Temperature	-30 °C ~ 85 °C

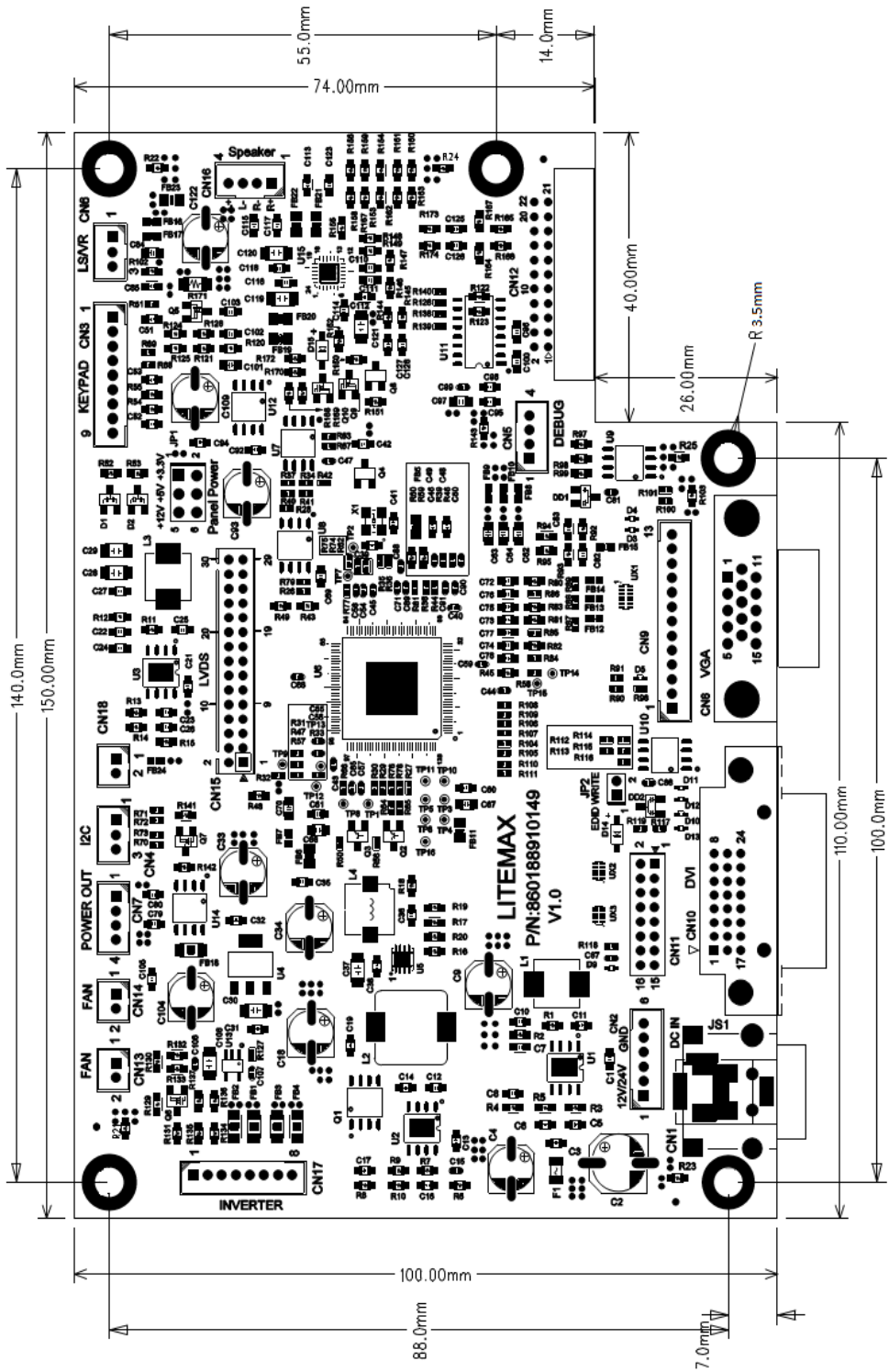
Specifications are subject to change without notice.

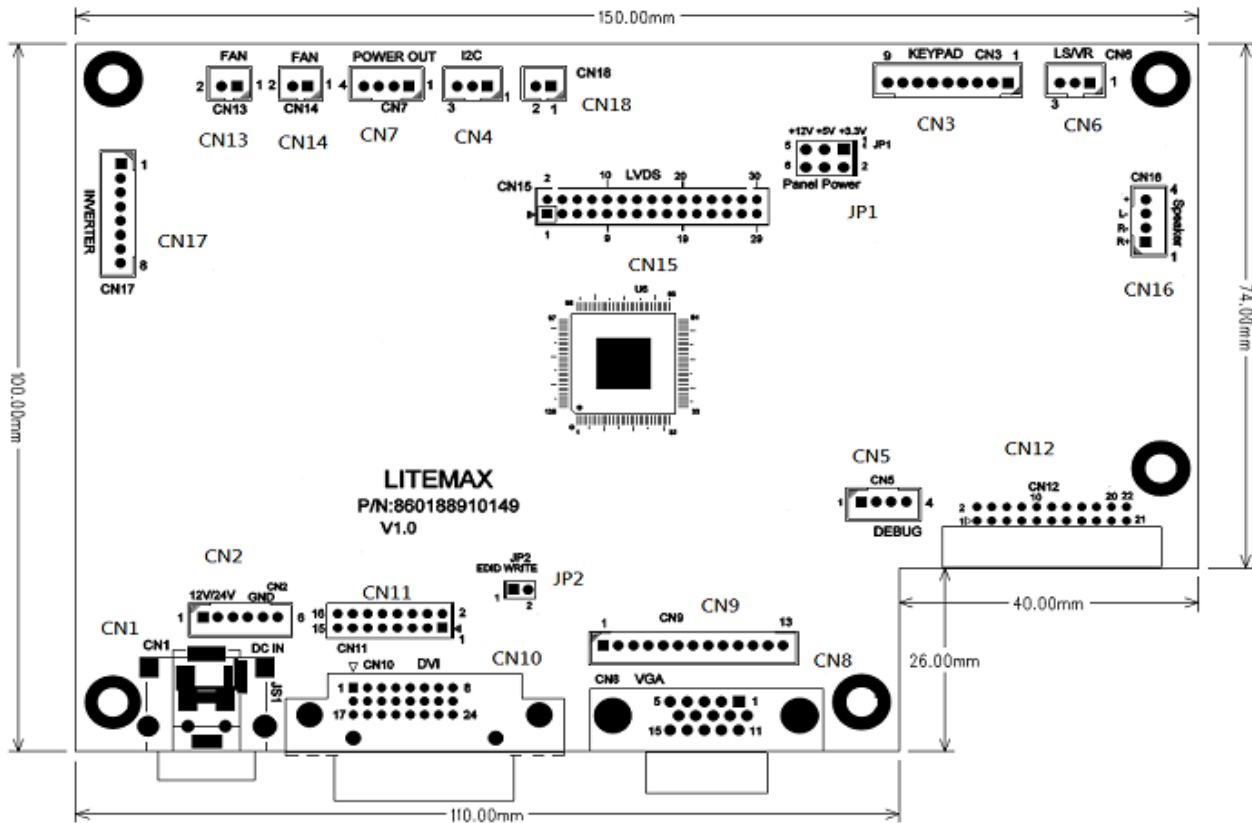
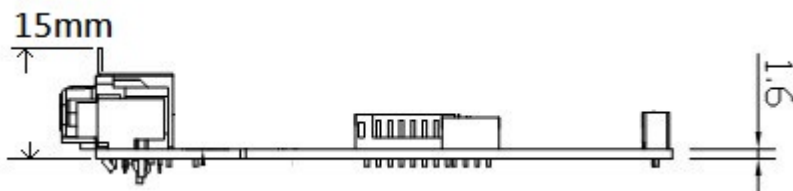
All brands or product names are trademarks or registered trademarks of their respective companies.

Outline Dimensions

Unit:mm

AD8891GD 150 x 100 mm





Ordering Information

Part Number	Description
880188911111	PCBA,AD,AD8891GD,V1.0,12V IN,POWER DIN,LS,PWM,LVDS 3.6V,P.
880188911112	PCBA,AD,AD8891GD,V1.0,12V IN,POWER DIN,LS,DC,LVDS 3.6V,P.

Optional Accessories

Part Number	Description
800807604000	CABLE,OTHER,LS,760mm,26AWG,2.0mm 2P,LS3505-HC4,SA-57S A&B,BLE-L-308-N,AD2662, R
800805504000	CABLE,OTHER,DLS,550mm,26AWG,1.25mm 5P TO 2.0mm 2P/3P,R