



SSF/SSH3701-Y

37" TFT LCD, 3000 nits LED Backlight, 1920x540 ultra wide aspect ratio 16:4.5

The SSF/SSH3701-Y is a 37 inch color TFT-LCD display with special aspect ratio 16:4.5 and wide resolution 1920 x 540. It is Litemax's Spanpixel series product which designed for high brightness with power efficiency LED backlight. It provides LCD panel with specific aspect ratios and sunlight readable for digital signage, public transportation, exhibition hall, department store, and vending machine.

Key Features

- Ultra Wide Screen 16:4.5
- High Brightness 3000 nits
- Sunlight Readable
- LED Backlight
- Low Power Consumption
- LCD Blackening Defect Free(Hi-Tni 110 °C)
- BL MTBF: 100,000 hours



Specifications

Model Name	SSF/SSH3701-Y
Description	37" TFT LCD, 3000nits LED Backlight, 1920x540
Screen Size	37"
Display Area (mm)	904.32(H) x 254.34(V)
Brightness	3000 cd/m ²
Resolution	1920x540
Aspect Ratio	16:4.5
Contrast Ratio	5000 : 1
Pixel Pitch (mm)	0.47(H) x 0.47 (V)
Pixel Pre Inch (PPI)	54
Viewing Angle	178°(H),178°(V)
Color Saturation (NTSC)	86%
Display Colors	16.7M
Response Time (Typical)	8ms
Panel Interface	LVDS
Input Interface	DVI-I, HDMI, DP
Input Power	DC24V
Power Consumption	85.2W(91.2W with AD Board)
OSD Key	4 Keys (Power Switch, Menu, +, -)
OSD Control	Brightness, Color, Contrast, Auto Turing, H/V Position...etc
Dimensions (mm)	935.5x 287.5x 18.1
Bezel Size(U/B/L/R)	16.6/16.6/15.6/15.6 mm
Weight (Net)	4.4Kg
Operating Temperature	0 °C ~ 50 °C
Storage Temperature	-20 °C ~ 60 °C

SSF= Panel + LED Driving Board

SSH= Panel + LED Driving Board + AD Control Board

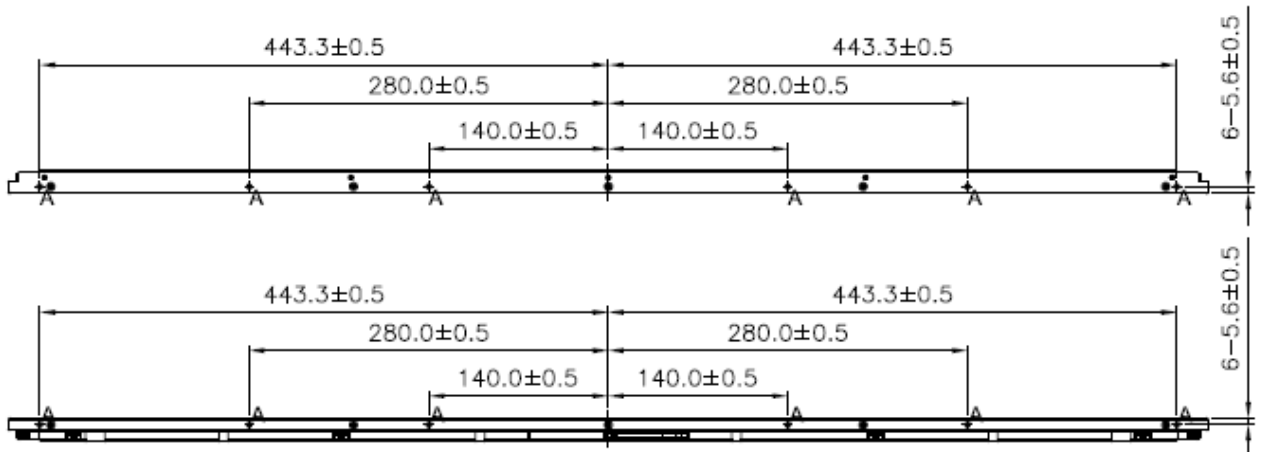
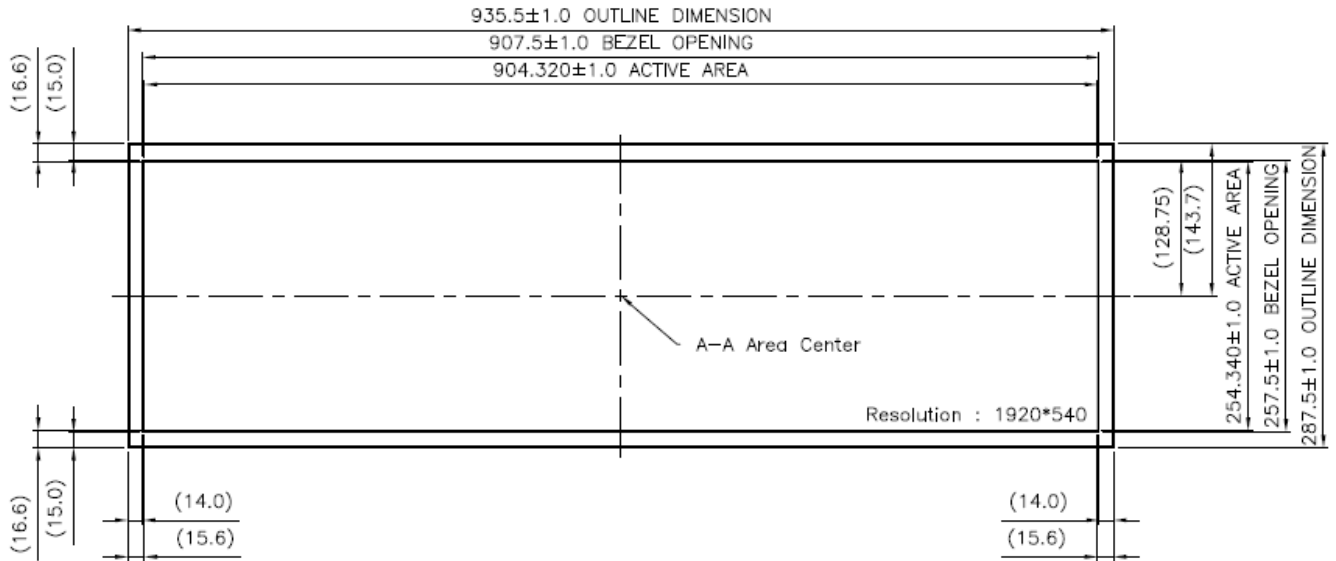
*Specifications are subject to change without notice.
All brands or product names are trademarks or registered trademarks of their respective companies.*



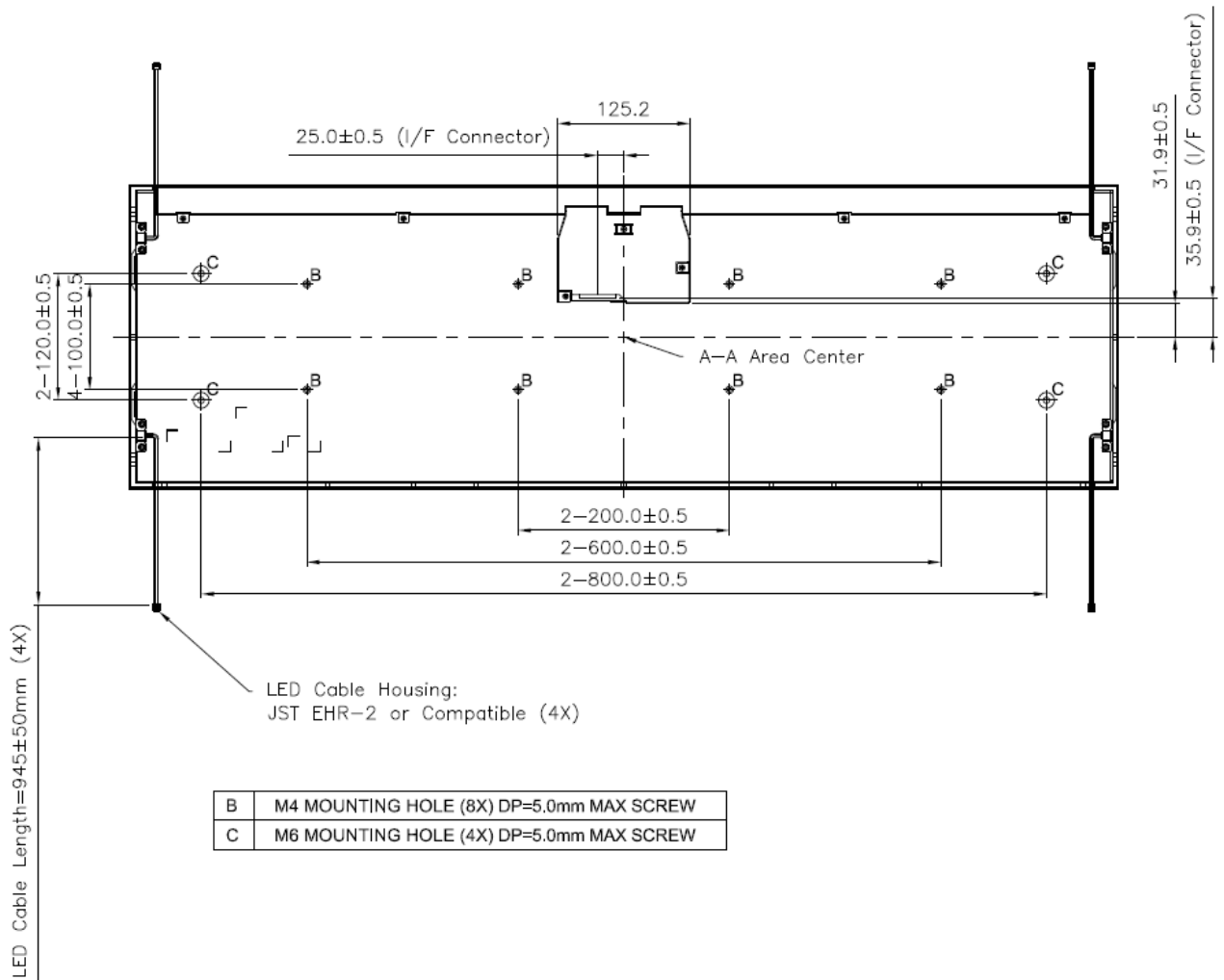
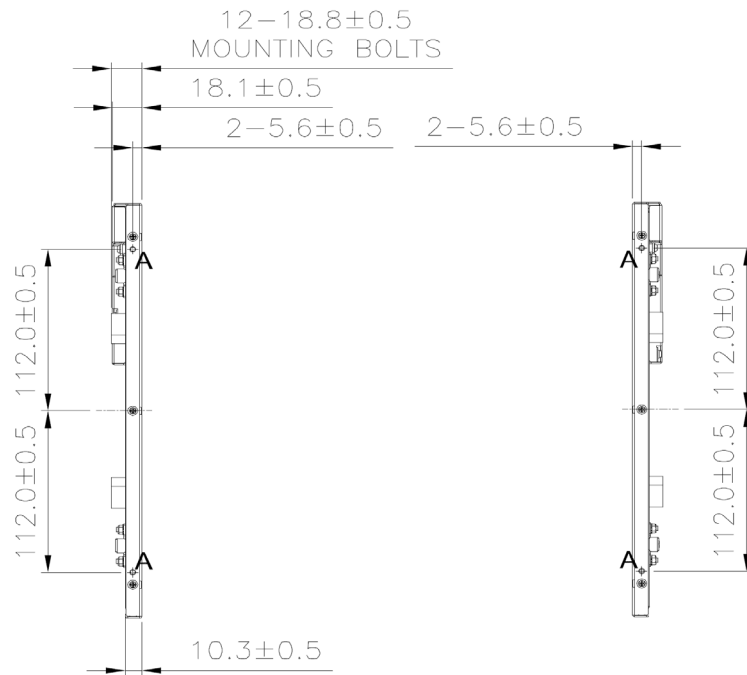
Mechanical Drawing

Outline Dimensions

Unit:mm



A	M3 MOUNTING HOLE (14X) DP=4.0mm MAX SCREW
---	---





Ordering Information

Part Number	Description
SSF3701-YNN-A11	37",3000nits,1920*540,HTni,LID37C,5in1,V2
SSH3701-YNN-Q11	37",3000nits,1920*540,HTni,LID37C,AD8891GDHP,DC24V,5in1,V2

Optional Accessories

Part Number	Description
810618301010	CABLE,POWER,AC,1830mm USA type
810618301090	CABLE,POWER,AC,1830mm Europe type
810618301050	CABLE,POWER,AC,1830mm UK type
810618301170	CABLE,POWER,AC,1830mm Australia type
810618301031	CABLE,POWER,AC,1830mm Japan type

Customer request

Touch	SCT (Single-Touch), PCT (Multi-Touch)
Glass	Tempered glass, AR coating.....