



ULO1563-I 15.6" TFT LCD, 500 nits LED Backlight, 1920 X 1080

The ULO1563-I is a 15.6 inch industrial grade LCD, with high brightness 500 nits, it produce sharp images, crisp text and lifelike colors. The Ubipixel LED backlight technology ensures high reliability and low power consumption, suitable for outdoor application, kiosk, factory automation, military, transportation and gaming application.

Key Features

- High Brightness 500nits
- Resolutions: 1920 x 1080
- LED Backlight
- Aspect ratio of 16:9
- Wide temperature (-20 °C ~70 °C)
- Low power consumption
- BL MTBF: 50,000 hours



Specifications

| Model Name | ULO1563-I |
|---------------------------|--|
| Description | 15.6" TFT LCD, 500 nits LED Backlight, 1920 x 1080 |
| Screen Size | 15.6" |
| Display Area (mm) | 344.16(H) x 193.59(V) |
| Brightness | 500 cd/m ² |
| Resolution | 1920 x 1080 |
| Aspect Ratio | 16 : 9 |
| Ultra high Contrast Ratio | 1400:1 |
| Pixel Pitch (mm) | 0.17925(H) x 0.17925 (V) |
| Pixel Pre Inch (PPI) | 141 |
| Viewing Angle | 178°(H),178°(V) |
| Color Saturation (NTSC) | 81% |
| Display Colors | 16.7M |
| Response Time (Typical) | 25 ms |
| Panel Interface | LVDS |
| AD Board Input Interface | HDMI,DP |
| AD Board Input Power | DC12V |
| Power Consumption | 13W |
| OSD Key | 4 Keys (Power Switch, Menu, +, -) |
| OSD Control | Brightness, Color, Contrast, Auto Turing, H/V Position...etc |
| Dimensions (mm) | 366.4 x 218.5 x 47.3 |
| Bezel Size(U/B/L/R) | 12.5/12.5/11.1/11.1 |
| Weight (Net) | 3.02 Kg |
| Mounting | 75 x 75, 100 x 100 |
| Operating Temperature | -20 °C ~ 70 °C |
| Storage Temperature | -30 °C ~ 70 °C |

ULO= Panel + LED Driving Board + AD Control Board + Chassis

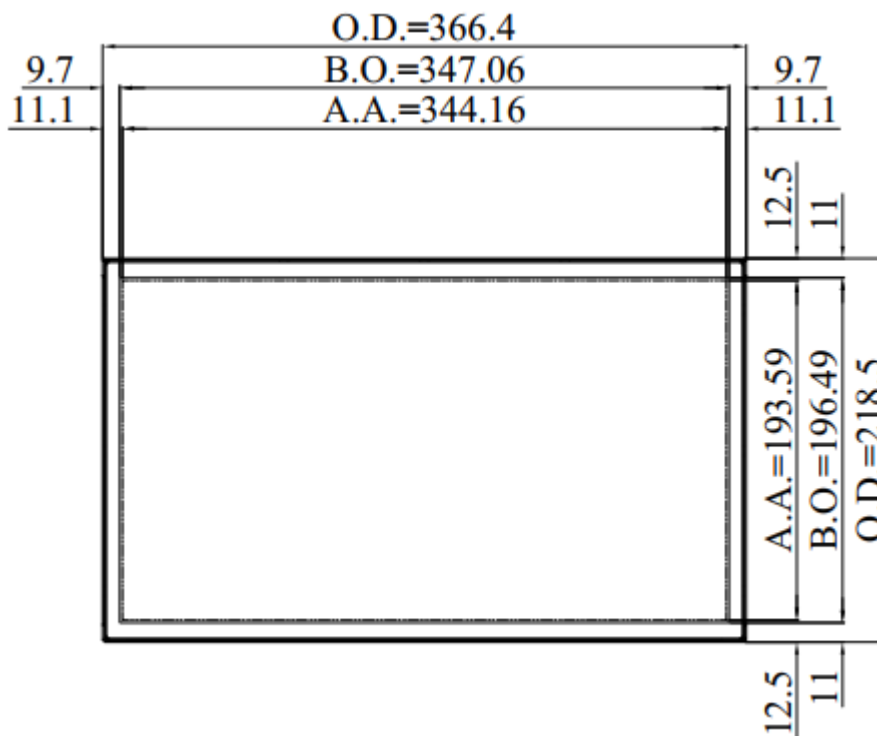
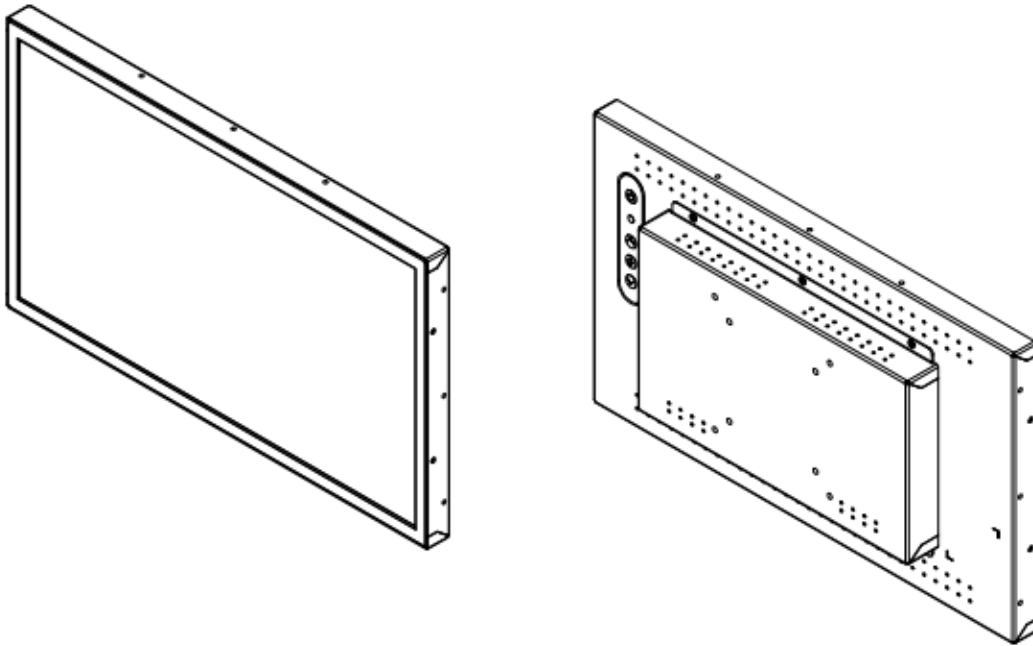
Specifications are subject to change without notice.
All brands or product names are trademarks or registered trademarks of their respective companies.

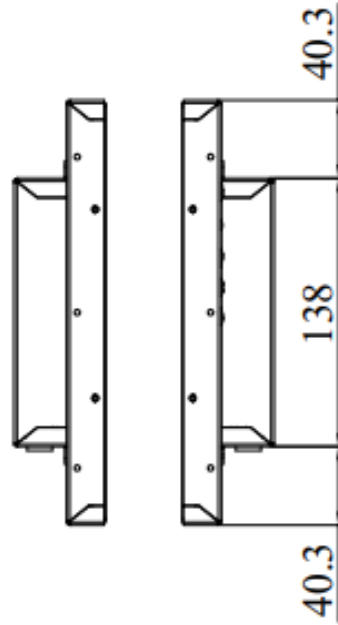


Mechanical Drawing

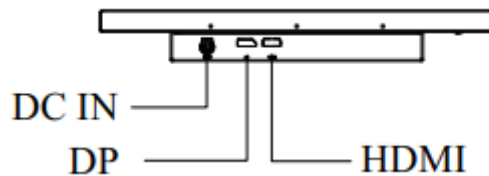
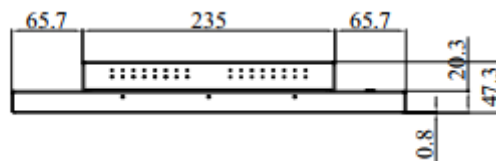
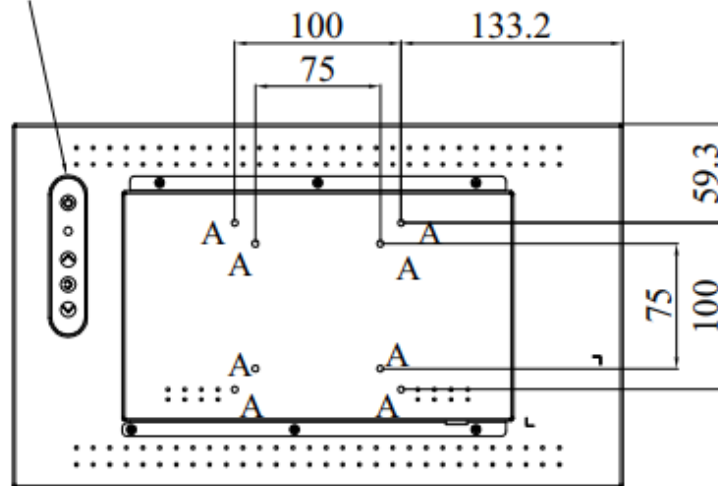
Outline Dimensions

Unit:mm





MEMBRANE 4-KEYS



NOTE :

O.D. : OUTLINE DIMENSION

B.O. : BEZEL OPENING

A.A. : ACTIVE AREA

A : 4-M4 USER HOLE MAX Depth=4mm



Ordering Information

| Part Number | Description |
|------------------------|--|
| ULO1563-IHB-T11 | 15.6",500nits,1920x1080,T2070,LID on LCM,AD68862HP,O/B,DC12V,5in1,V1 |
| | |
| | |

Optional Accessories

| Part Number | Description |
|---------------------|--------------------------------------|
| 810618301010 | CABLE,POWER,AC,1830mm USA type |
| 810618301090 | CABLE,POWER,AC,1830mm Europe type |
| 810618301050 | CABLE,POWER.AC,1830mm UK type |
| 810618301170 | CABLE,POWER,AC,1830mm Australia type |
| 810618301031 | CABLE,POWER,AC,1830mm Japan type |
| | |
| | |

Customer request

| | |
|--------------|---------------------------------|
| Touch | PCT (Multi-Touch) |
| Glass | Tempered glass, AR coating..... |
| | |