



## SSF/SSH0635-T V1

### 6.22" TFT LCD, 1000 nits LED Backlight , 1024x250 ultra-wide aspect ratio 16:4

The SSF/SSH0635-T is a 6.22 inch color TFT-LCD display with special aspect ratio 16:4 and wide resolution 1024 x 250. It is Litemax's Spanpixel series product which designed for high brightness with power efficiency LED backlight. It provides LCD panel with specific aspect ratios and sunlight readable for digital signage, public transportation, exhibition hall, department store, and vending machine.

#### Key Features

- Resizing LCD
- Ultra Wide Screen (16 : 4)
- LED Backlight
- Brightness 1000 nits
- Low Power Consumption
- High Uniformity

待補

### Specifications

Model Name	SSF/SSH0635-T V1
Description	6.22" TFT LCD, 1000 nits LED backlight,1024x250
Screen Size	6.22"
Display Area (mm)	153.6 x 37.5 mm
Brightness	1000 cd/m <sup>2</sup>
Resolution	1024x250
Aspect Ratio	16 : 4
Contrast Ratio	800 : 1
Pixel Pitch (mm)	0.150(H) x 0.150(V)
Pixel Pre Inch (PPI)	169
Viewing Angle	150°(H),145°(V)
Color Saturation (NTSC)	54%
Display Colors	16.7M
Response Time (Typical)	20ms
Panel Interface	LVDS
Input Interface	VGA,DVI,HDMI
Input Power	DC 12V
Power Consumption	1.6W, (3.2W with AD board)
OSD Key	4 Keys (Power Switch, Menu, +, -)
OSD Control	Brightness, Color, Contrast, Auto Turing, H/V Position...etc
Dimensions (mm)	165.75(H) x 55(V) x 3.85(T)
Bezel Size(U/B/L/R)	11/6.5/7.23/4.92 mm
Weight (Net)	0.09kg
Operating Temperature	0 °C ~ 50 °C
Storage Temperature	-20 °C ~ 60 °C

SSF= Panel + LED Driving Board

SSH= Panel + LED Driving Board + AD Control Board

*Specifications are subject to change without notice.*

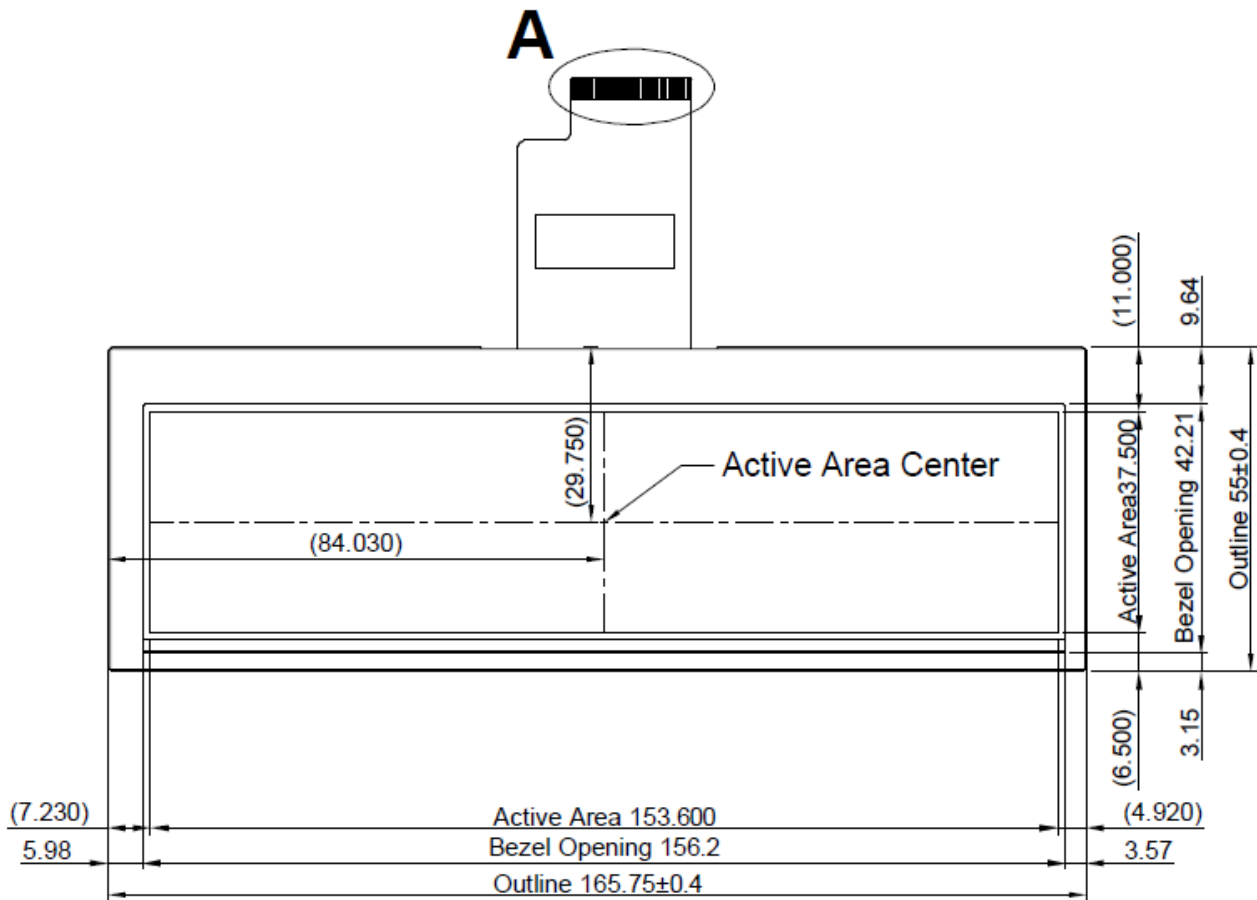
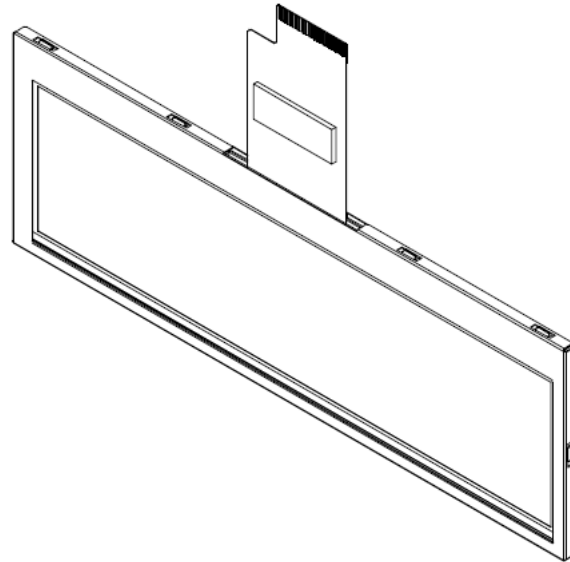
*All brands or product names are trademarks or registered trademarks of their respective companies.*

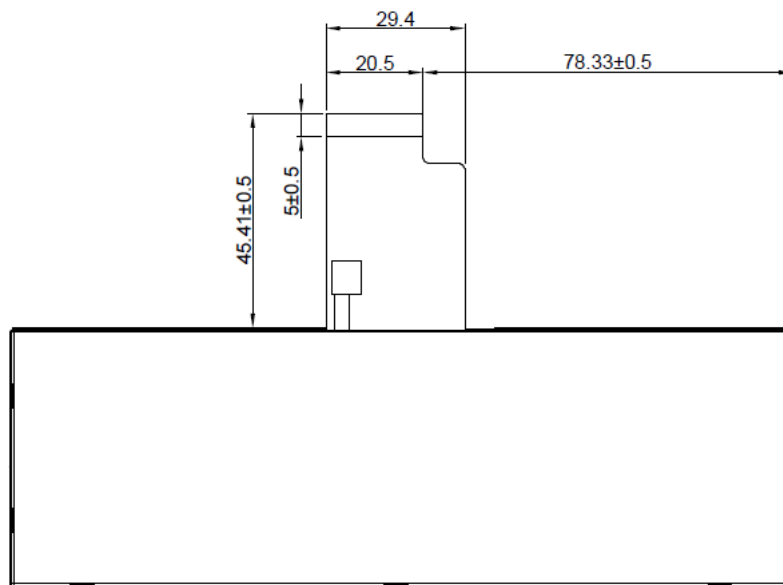
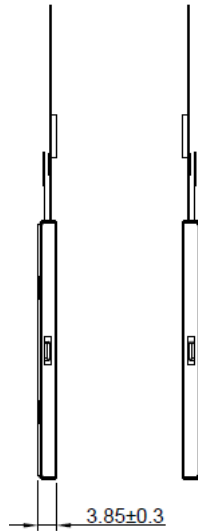
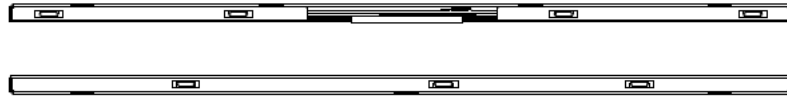


## Mechanical Drawing

### Outline Dimensions

Unit:mm





Note:

1. Tolerance is  $\pm 0.3\text{mm}$  unless noted.
2. Connector suggest to be FH12A-40S-0.5SH.
3. Bending radius of FPC should be larger than 1.0mm.
4. "( )"marks the reference dimensions.



### Ordering Information

Part Number	Description
SSF0635-TNN-A11	6.22",1000nits,1024x250,LID on LCM,10in1,V1
SSH0635-TNN-Q11	6.22",1000nits,1024x250,LID on LCM,AD8891G-DH,DC12V,10in1,V1

### Optional Accessories

Part Number	Description
840612051212	ADAPTER,AC/DC,12V/5A,60W,Power-Din-4P,CWT,G99-ABF060F-N022,Efficiency-level-6,R
810618301010	CABLE,POWER,AC,1830mm USA type
810618301090	CABLE,POWER,AC,1830mm Europe type
810618301050	CABLE,POWER,AC,1830mm UK type
810618301170	CABLE,POWER,AC,1830mm Australia type
810618301031	CABLE,POWER,AC,1830mm Japan type

### Customer request

Touch	SCT (Single-Touch), PCT (Multi-Touch)
Glass	Tempered glass, AR coating.....