



SSD6740-I V1

67.4" Resizing LCD, 2000 nits LED backlight, 3840 x 1076 ultra-wide aspect ratio 16:4.4

The SSD6740-I is a 67.4 inch color TFT-LCD display with special aspect ratio 16:4.4 and wide resolution 3840 x 1076. It is Litemax's Spanpixel series product which designed for high brightness 2000 nits with power efficiency LED backlight. It provides LCD panel with specific aspect ratios and sunlight readable for digital signage, public transportation, exhibition hall, department store, and vending machine.

Key Features

- Resizing LCD
- Ultra-Wide Screen (16: 4.4)
- High Brightness 2000 nits
- Sunlight Readable
- LED Backlight
- BL MTBF: 100,000 hours



Specifications

| Model Name | SSD6740-I V1 |
|-------------------------|--|
| Description | 67.4" Resizing LCD, 2000 nits LED backlight, 3840x1076 |
| Screen Size | 67.4" |
| Display Area (mm) | 1650.240(H) x 462.680(V) |
| Brightness | 2000 cd/m ² |
| Resolution | 3840x1076 |
| Aspect Ratio | 16 : 4.4 |
| Contrast Ratio | 5600 : 1 |
| Pixel Pitch (mm) | 0.430(H) x 0.430(V) |
| Pixel Per Inch (PPI) | 59 |
| Viewing Angle | 178°(H), 178°(V) |
| Color Saturation (NTSC) | 84% |
| Display Colors | 1.07G |
| Response Time (Typical) | 9.5ms |
| Panel Interface | V-by-One |
| Input Interface | DVI-D, HDMI, DP |
| Input Power | AC100~240V |
| Power Consumption | 271W |
| OSD Key | 5 Keys (Power Switch, Menu, +, -, Exit) |
| OSD Control | Brightness, Color, Contrast, Auto Turing, H/V Position...etc |
| Dimensions (mm) | 1699.70 x 500.40 x 71.40 |
| Bezel Size(U/B/L/R) | 18.86/18.86/24.73/24.73 mm |
| Weight (Net) | 33.5 kg |
| Mounting | 500x150mm, 900x150mm |
| Operating Temperature | 0 °C ~ 50 °C |
| Storage Temperature | -20 °C ~ 60 °C |

SSD = Panel + LED Driving Board + AD Control Board + Chassis

Specifications are subject to change without notice.

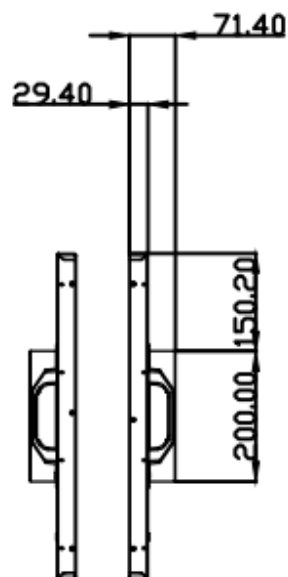
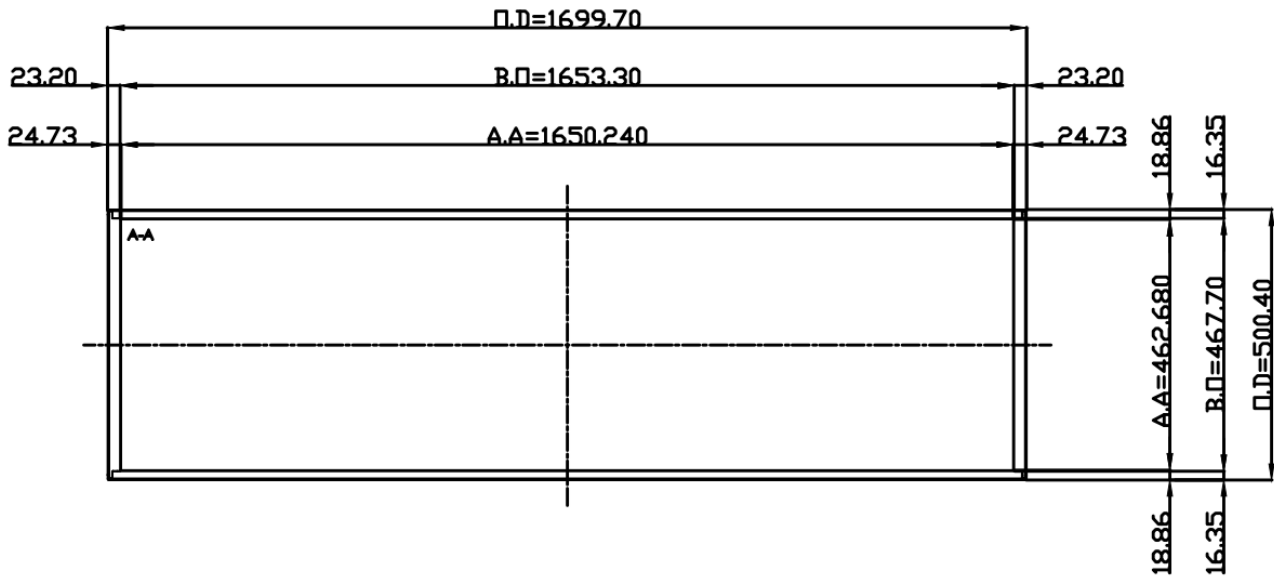
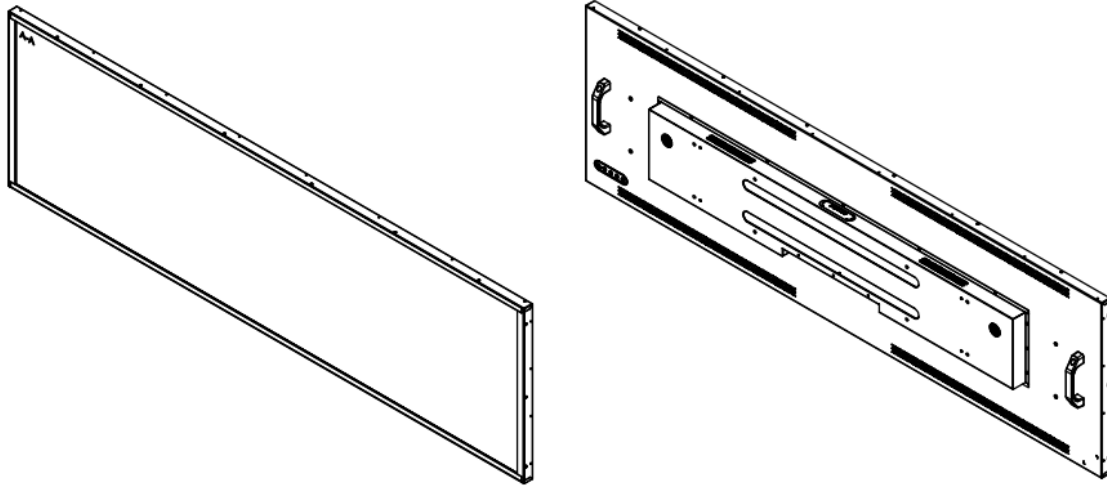
All brands or product names are trademarks or registered trademarks of their respective companies.

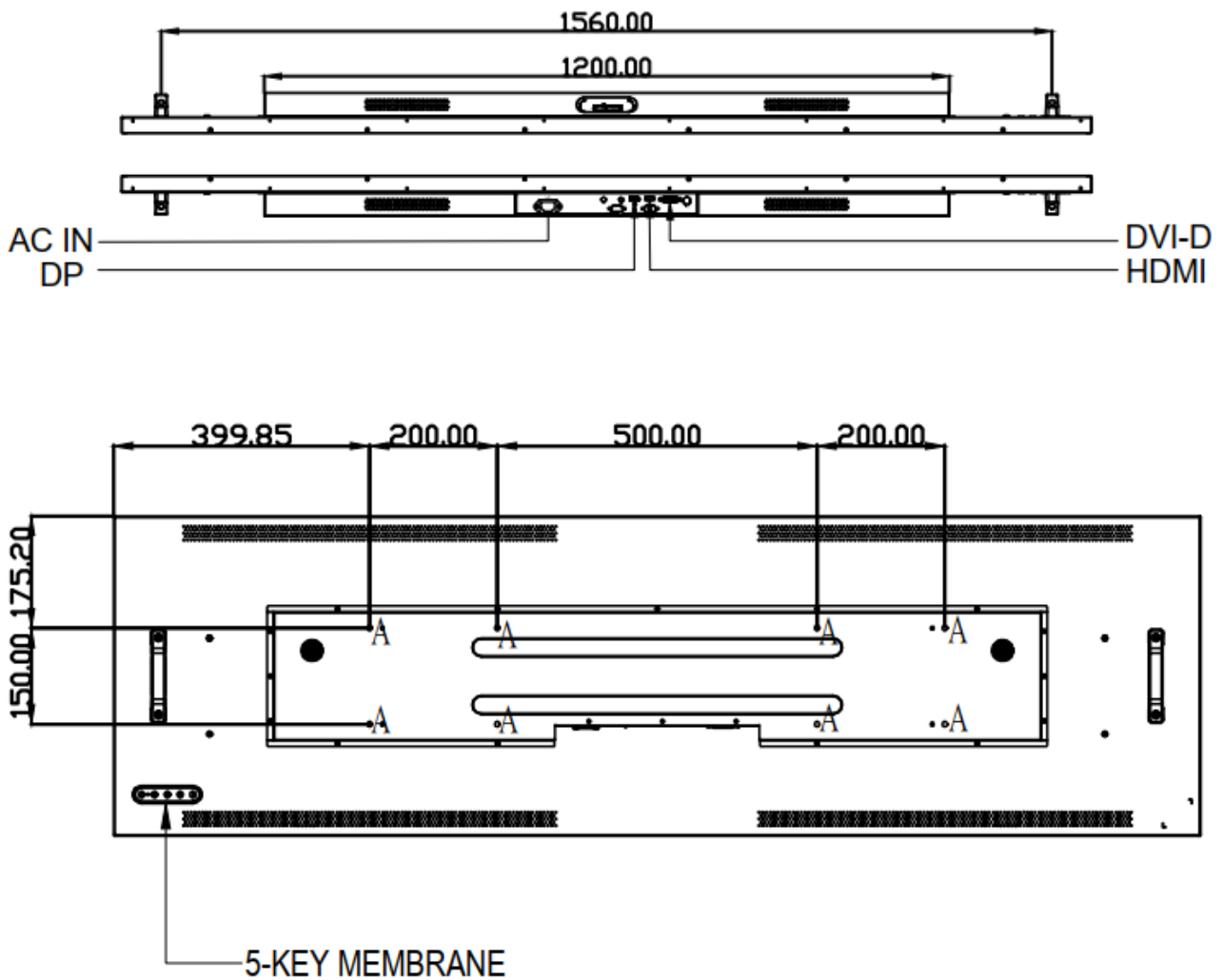


Mechanical Drawing

Outline Dimensions

Unit: mm





Note :

O.D. : OUTLINE DIMENSION

B.O. : BEZEL OPENING

A.A. : LCD ACTIVE AREA

A : 8-M8_USER HOLE_MAX Depth=15mm



Ordering Information

| Part Number | Description |
|------------------------|---|
| SSD6740-INU-N01 | 67.4",2000nits,3840x1076,LID67C,AD2796DHP,Speaker*2,O/B,AC100~240V,V1 |
| | |
| | |

Optional Accessories

| Part Number | Description |
|---------------------|--------------------------------------|
| 810618301010 | CABLE,POWER,AC,1830mm USA type |
| 810618301090 | CABLE,POWER,AC,1830mm Europe type |
| 810618301050 | CABLE,POWER,AC,1830mm UK type |
| 810618301170 | CABLE,POWER,AC,1830mm Australia type |
| 810618301031 | CABLE,POWER,AC,1830mm Japan type |
| | |

By Customer Request

| | |
|--------------|---------------------------------|
| Glass | Tempered glass, AR coating..... |
|--------------|---------------------------------|