



SSF/SSH6740-I V1

67.4" Resizing LCD, 2000 nits LED backlight, 3840 x 1076 ultra-wide aspect ratio 16:4.4

The SSF/SSH6740-I is a 67.4 inch color TFT-LCD display with special aspect ratio 16:4.4 and wide resolution 3840 x 1076. It is Litemax's Spanpixel series product which designed for high brightness 2000 nits with power efficiency LED backlight. It provides LCD panel with specific aspect ratios and sunlight readable for digital signage, public transportation, exhibition hall, department store, and vending machine.

Key Features

- Resizing LCD
- Ultra-Wide Screen (16: 4.4)
- High Brightness 2000 nits
- Sunlight Readable
- LED Backlight
- BL MTBF: 100,000 hours



Specifications

Model Name	SSF/SSH6740-I V1
Description	67.4" Resizing LCD, 2000 nits LED backlight, 3840x1076
Screen Size	67.4"
Display Area (mm)	1650.240(H) x 462.680(V)
Brightness	2000 cd/m ²
Resolution	3840x1076
Aspect Ratio	16 : 4.4
Contrast Ratio	5600 : 1
Pixel Pitch (mm)	0.430(H) x 0.430(V)
Pixel Per Inch (PPI)	59
Viewing Angle	178°(H), 178°(V)
Color Saturation (NTSC)	84%
Display Colors	1.07G
Response Time (Typical)	9.5ms
Panel Interface	V-by-One
Input Interface	DVI-D, HDMI, DP
Input Power	AC100~240V
Power Consumption	262W, 271W (with AD board)
OSD Key	5 Keys (Power Switch, Menu, +, -, Exit)
OSD Control	Brightness, Color, Contrast, Auto Turing, H/V Position...etc
Dimensions (mm)	1696.3 x 497 x 28.2
Bezel Size(U/B/L/R)	17.16/17.16/23.03/23.03 mm
Weight (Net)	19.3 kg
Operating Temperature	0 °C ~ 50 °C
Storage Temperature	-20 °C ~ 60 °C

SSF= Panel + LED Driving Board

SSH= Panel + LED Driving Board + AD Control Board

Specifications are subject to change without notice.

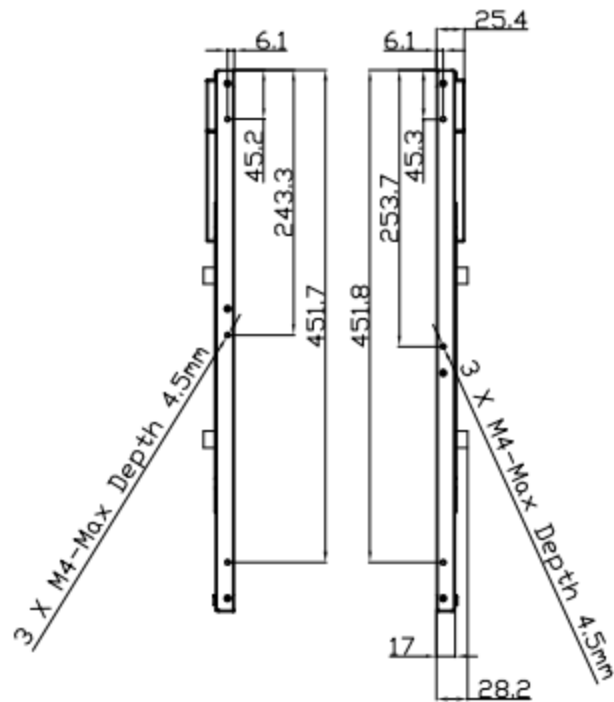
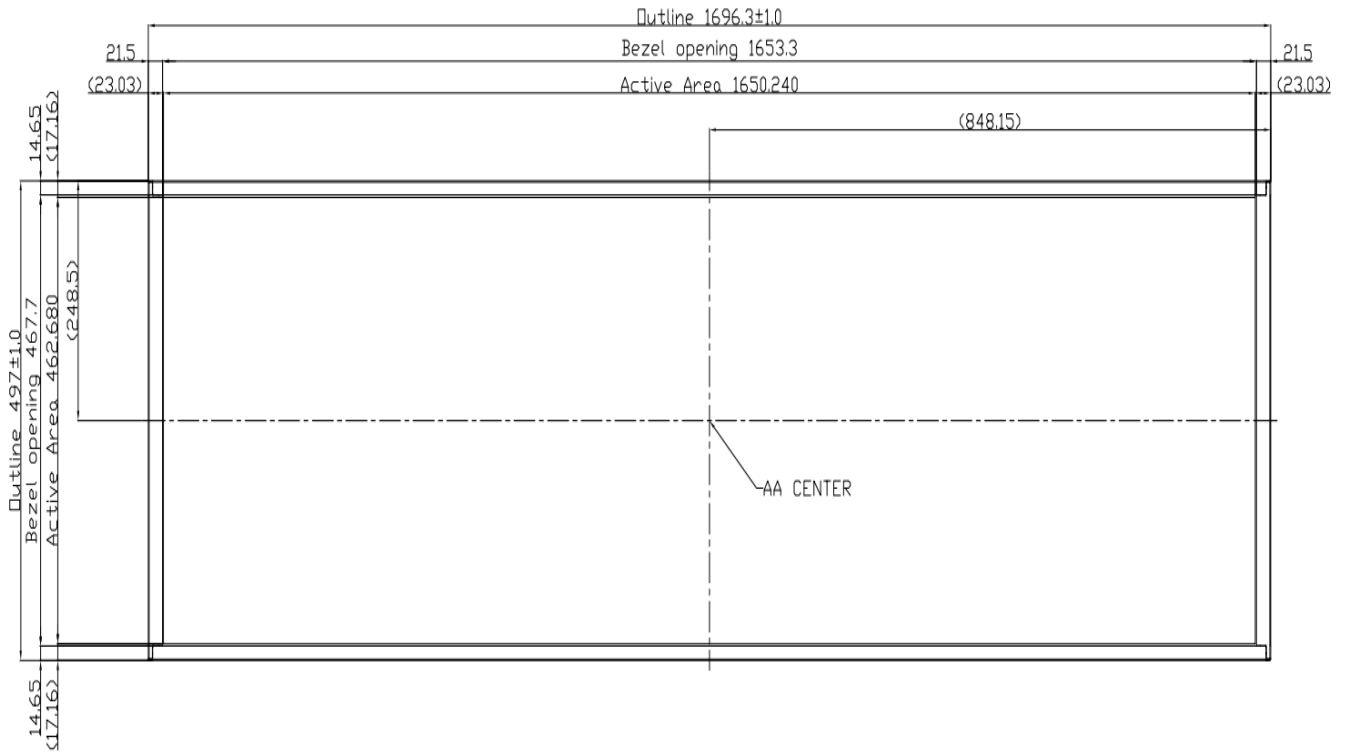
All brands or product names are trademarks or registered trademarks of their respective companies.

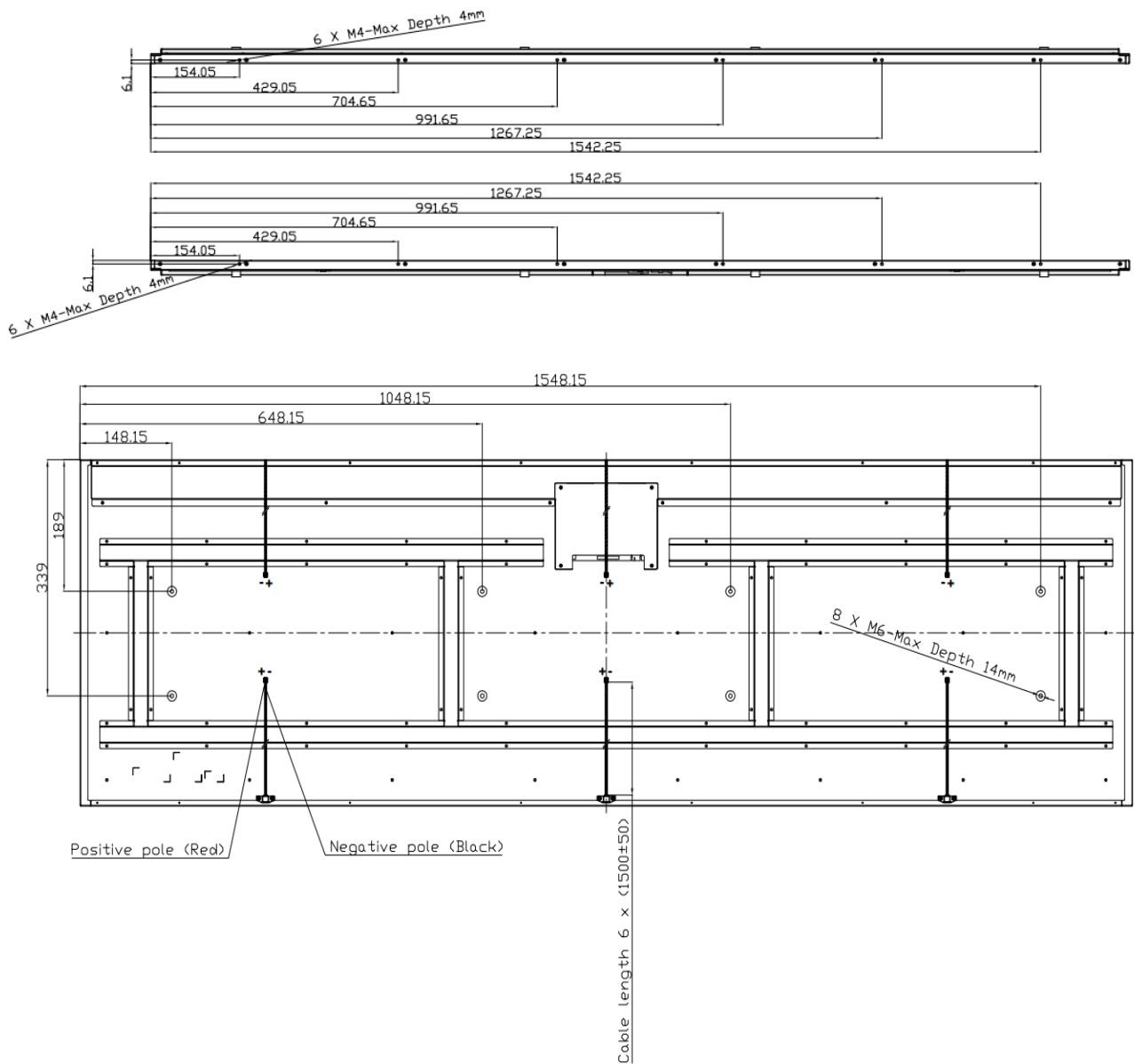


Mechanical Drawing

Outline Dimensions

Unit: mm





Note :

1. Tolerance is $\pm 0.5\text{mm}$ unless noted.
2. "()" marks the reference dimension.



Ordering Information

Part Number	Description
SSF6740-INU-A01	67.4",2000nits,3840X1076,LID67C,V1
SSH6740-INU-N01	67.4",2000nits,3840X1076,LID67C,AD2796DHP,AC100~240V,V1

Optional Accessories

Part Number	Description
810618301010	CABLE,POWER,AC,1830mm USA type
810618301090	CABLE,POWER,AC,1830mm Europe type
810618301050	CABLE,POWER,AC,1830mm UK type
810618301170	CABLE,POWER,AC,1830mm Australia type
810618301031	CABLE,POWER,AC,1830mm Japan type

By Customer Request

Glass	Tempered glass, AR coating.....
-------	---------------------------------