



DLD5500-L V3

55" TFT LCD, LED Backlight 2500nits, FHD(1920x1080)

The DLD5500-L is a 55 inch industrial grade sunlight readable LCD, with high brightness 2,500 nits and high color saturation, it produce sharp images, crisp text and lifelike colors. The Durapixel LED backlight technology ensures high reliability and low power consumption, suitable for outdoor application, kiosk, factory automation, military, transportation and gaming application.

Key Features

- High Brightness: 2500nits
- Sunlight Readable
- LED Backlight
- Low Power Consumption
- LCD Blacking Defect Free (H-Tni 110°C)
- Slim Bezel
- BL MTBF: 100,000 hours



Specifications

Model Name	DLD5500-L V3
Description	55" TFT LCD, LED Backlight 2500 nits, FHD (1920x1080)
Screen Size	55"
Display Area (mm)	1209.6(H) x 680.4(V)
Brightness	2500 cd/m ²
Resolution	1920 x 1080
Aspect Ratio	16 : 9
Contrast Ratio	1000 : 1
Pixel Pitch (mm)	0.63(H) x 0.63(V)
Pixel Pre Inch (PPI)	40
Viewing Angle	178°(H),178°(V)
Color Saturation (NTSC)	75%
Display Colors	16.7M
Response Time (Typical)	9ms
Panel Interface	LVDS
Video Interface	VGA,DVID,HDMI,DP,AV,S-VIDEO,YPbPr
Input Power	AC100~240V
Power Consumption)	166.8W
OSD Key	4 Keys (Power Switch, Menu, +, -)
OSD Control	Brightness, Color, Contrast, Auto Turing, H/V Position...etc
Dimensions (mm)	1242.6 x 713.6 x 74.3
Bezel Size(U/B/L/R)	15.2/15.2/15.3/15.3 mm
Weight (Net)	36.5kg
Mounting	VESA 400X300mm,400x200mm
Operating Temperature	0 °C ~ 50 °C
Storage Temperature	-20 °C ~ 60 °C
Product Approval	CE,FCC

DLD= Panel+ LED Driving Board + AD Control Board+CASE

Specifications are subject to change without notice.

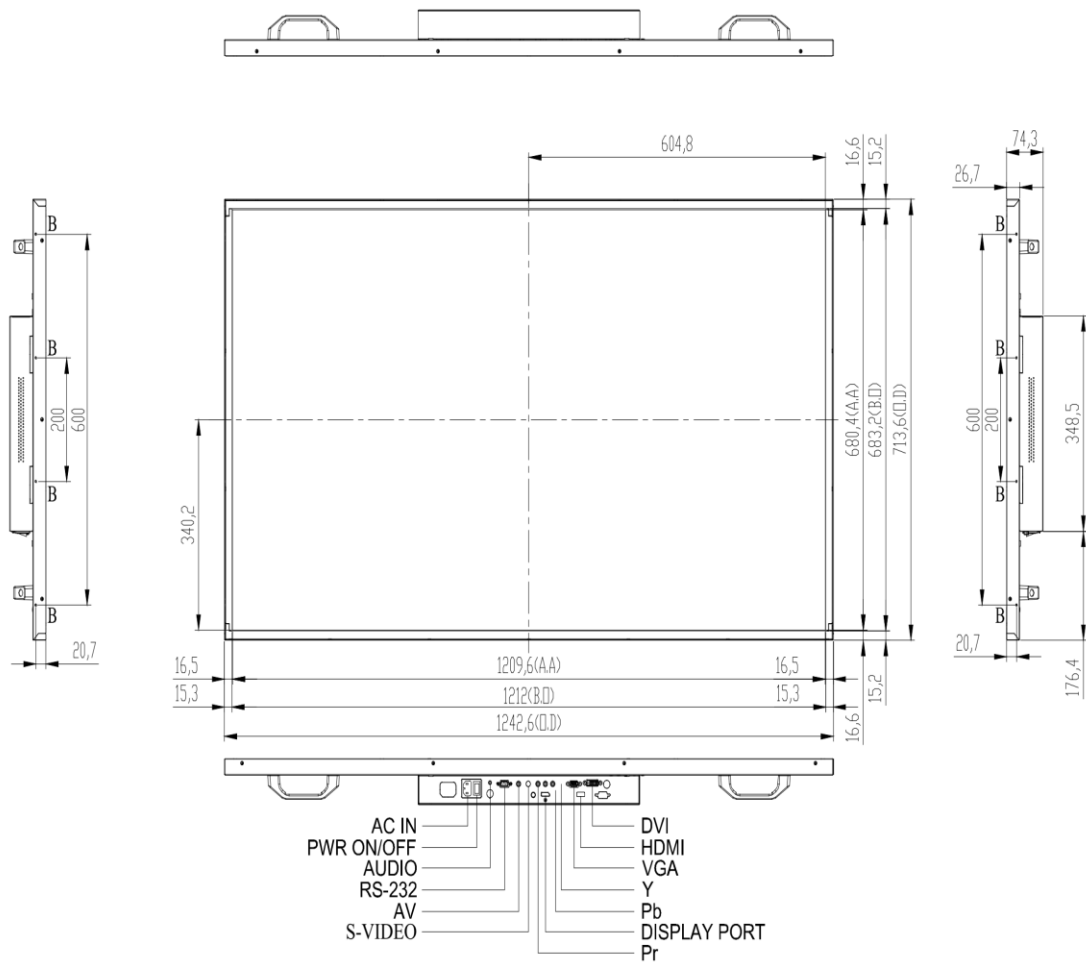
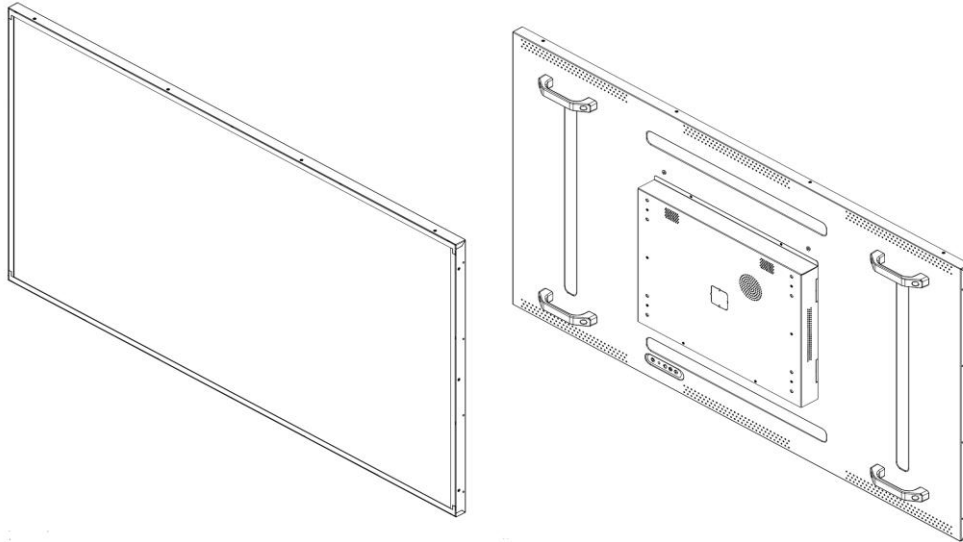
All brands or product names are trademarks or registered trademarks of their respective companies.

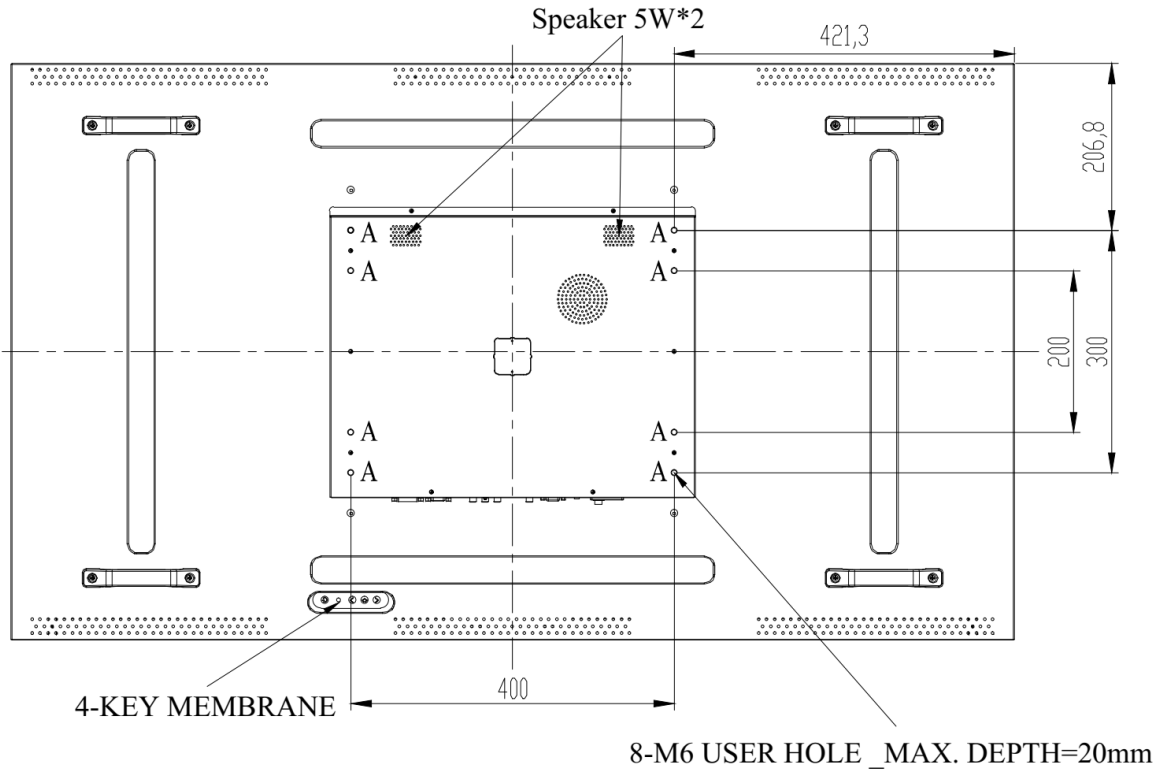


Mechanical Drawing

Outline Dimensions

Unit:mm





Note:

O.D : Outline Dimension

B.O : Bezel Opening

A.A : LCD Active Area

A:8-M6 USER HOLE _MAX. DEPTH=20mm

B:8-M4 USER HOLE _MAX. DEPTH=10mm



Ordering Information

Part Number	Description
DLD5500-LNB-J21	55",2500nits,1920x1080.HTni,LID55A,AD5827GDHPVAR.O/B,Speaker 5Wx2,Plastic Frame.AC100~240V,V3

Optional Accessories

Part Number	Description
810618301010	CABLE.POWER.AC.1830mm USA type
810618301090	CABLE,POWER,AC,1830mm Europe type
810618301050	CABLE.POWER.AC.1830mm UK type
810618301170	CABLE.POWER,AC,1830mm Australia type
810618301031	CABLE.POWER.AC.1830mm Japan type

Customer request

Glass	Tempered glass, AR coating.....
Touch	IR, PCT touch