



DLF1567-A / DLH1567-A V2
15.6" TFT LCD, LED Backlight 1400nits, FHD(1920x1080)

The DLF/DLH1567-A is a 15.6 inch industrial grade sunlight readable LCD, with high brightness 1400 nits and high color saturation, it produce sharp images, crisp text and lifelike colors. The Durapixel LED backlight technology ensures high reliability and low power consumption, suitable for outdoor application, kiosk, factory automation, military, transportation and gaming application.

Key Features

- High Brightness 1400 nits
- Sunlight Readable
- LED Backlight
- Low Power Consumption
- Wide range temperature
- BL MTBF: 100,000 hours



Specifications

Model Name	DLF1567-A / DLH1567-A V2
Description	15.6" TFT LCD, LED Backlight 1400 nits, FHD (1920x1080)
Screen Size	15.6"
Display Area (mm)	344.16(H) x 193.59(V)
Brightness	1400 cd/m ²
Resolution	1920x1080
Aspect Ratio	16 : 9
Contrast Ratio	1000 : 1
Pixel Pitch (mm)	0.17925(H) x 0.17925(V)
Pixel Pre Inch (PPI)	141
Viewing Angle	178°(H),178°(V)
Color Saturation (NTSC)	84%
Display Colors	16.2M
Response Time (Typical)	25ms
Panel Interface	eDP
AD Board Input Interface	VGA,DVI, DP
Input Power	DC12V
Power Consumption	18.91W (23.64W With AD board)
OSD Key	4 Keys (Power Switch, Menu, +, -)
OSD Control	Brightness, Color, Contrast, Auto Turing, H/V Position...etc
Dimensions (mm)	363.8 x 215.9 x 8.47
Bezel Size(U/B/L/R)	9.7/9.7/8.37/8.37 mm
Weight (Net)	1.3kg
Operating Temperature	-20 °C ~ 60 °C
Storage Temperature	-20 °C ~ 60 °C

DLF= Panel + LED Driving Board

DLH= Panel + LED Driving Board + AD Control Board + eDP/LVDS Converter Board

Specifications are subject to change without notice.

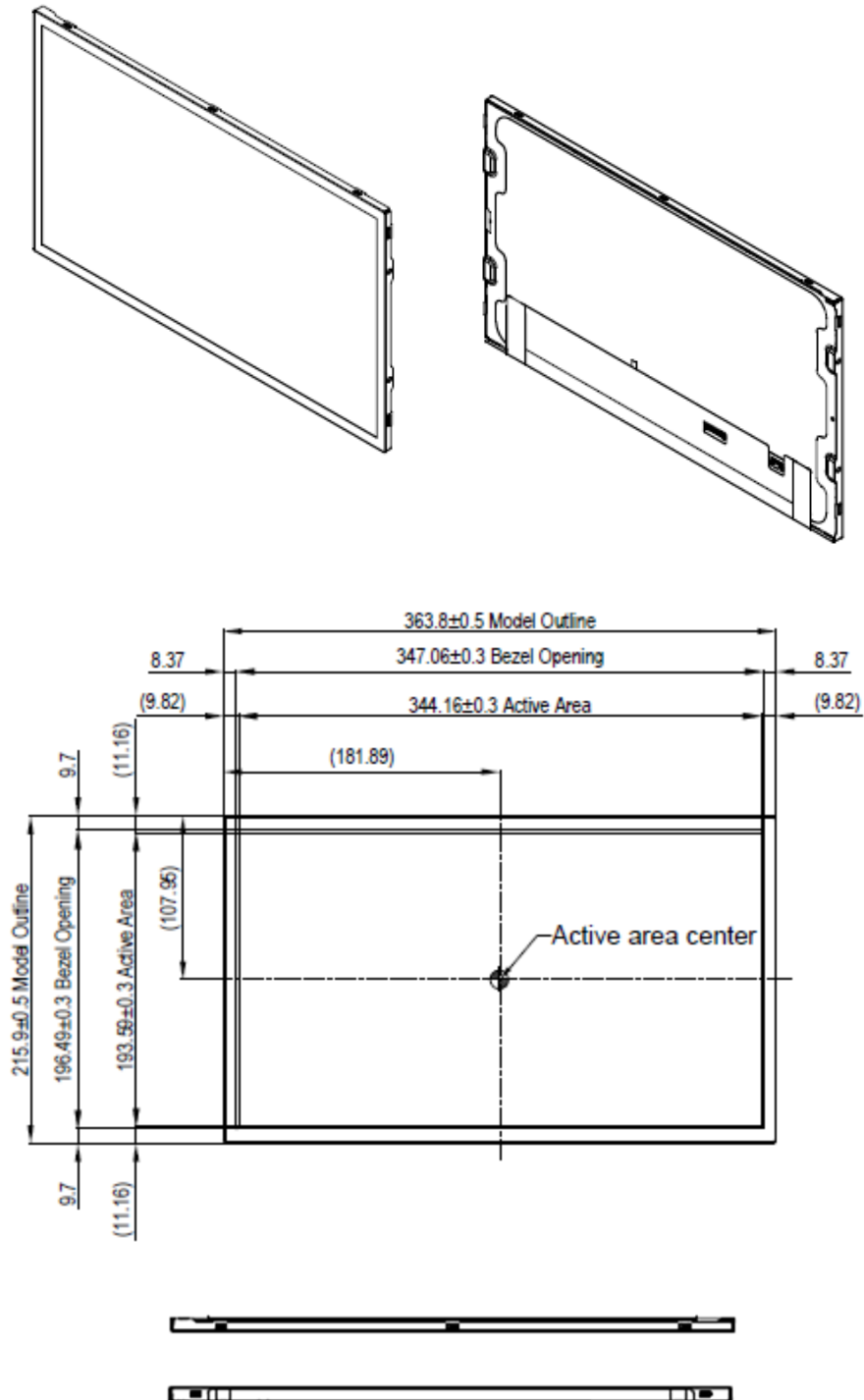
All brands or product names are trademarks or registered trademarks of their respective companies.

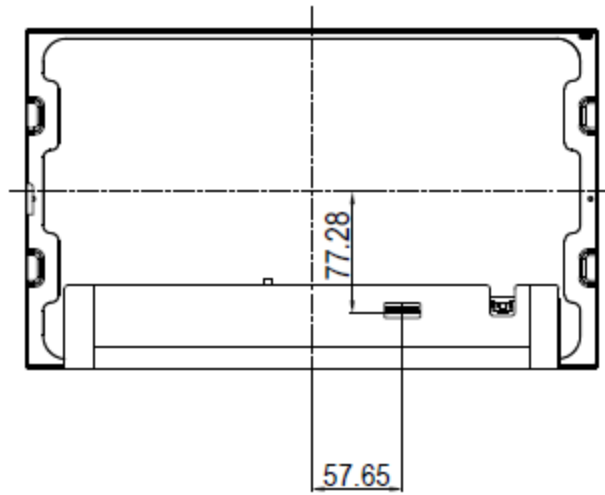
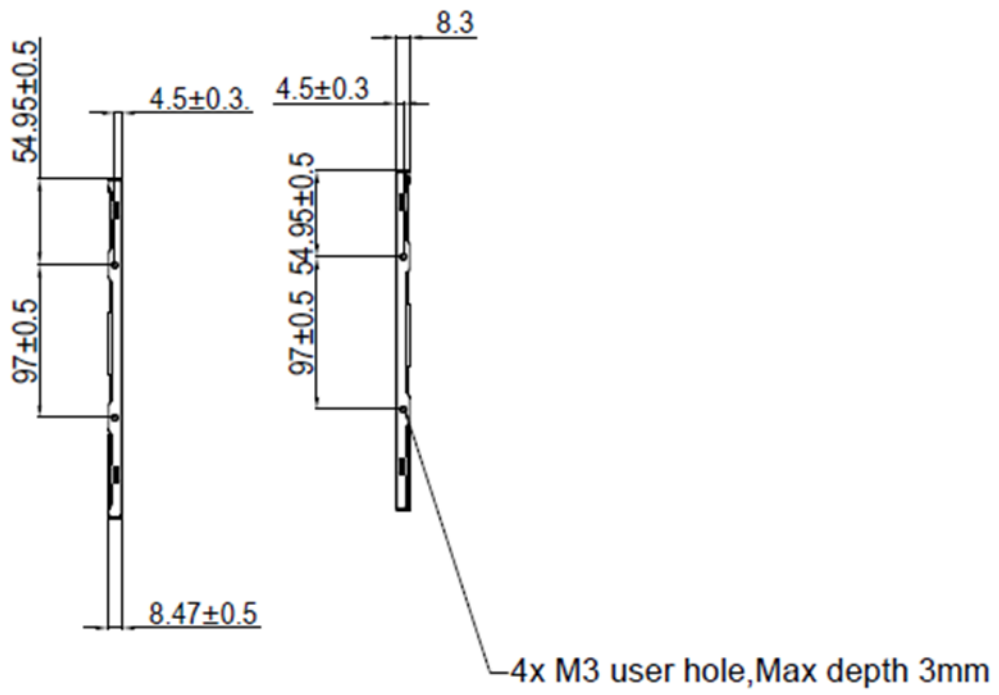


Mechanical Drawing

Outline Dimensions

Unit:mm







Ordering Information

Part Number	Description
DLF1567-ANN-A11	15.6",1400nits,1920x1080,LID15A,5in1,V2
DLH1567-ANN-I11	15.6",1400nits,1920x1080,LID15A,AD6038GDP,DC12V,5in1,V2

Optional Accessories

Part Number	Description
810618301010	CABLE.POWER.AC.1830mm USA type
810618301090	CABLE,POWER,AC,1830mm Europe type
810618301050	CABLE.POWER.AC.1830mm UK type
810618301170	CABLE.POWER,AC,1830mm Australia type
810618301031	CABLE.POWER.AC.1830mm Japan type

Customer request

Touch	PCT (Multi-Touch)
Glass	Tempered glass,AR coating.....