



SSD2445-MNW

24.4" Resizing LCD, 800 nits LED backlight, MaxRGB , 1920 x 540

The SSD2445-MNW is a 24.4 inch color TFT-LCD display with high brightness 800 nits and high color saturation. it produce sharp images, crisp text and lifelike colors. The Spanpixel LED backlight technology ensures high reliability and low power consumption, suitable for outdoor application, kiosk, factory automation, military, transportation and gaming application.

Key Features

- 24.4" Resizing LCD
- Ultra-Wide Screen (16 : 4.5)
- High Brightness 800 nits
- LED Backlight
- High Color Saturation
- Wide viewing angle 178°(H)~ 178°(V)
- Low Power Consumption
- BL MTBF: 100,000 hours



Specifications

| Model Name | SSD2445-MNW |
|-------------------------|--|
| Description | 24.4" Resizing LCD, 800 nits LED backlight, MaxRGB, 1920x540 |
| Screen Size | 24.4" |
| Display Area (mm) | 597.6(H) x 168.07(V) |
| Brightness | 800 cd/m ² |
| Resolution | 1920x540 |
| Aspect Ratio | 16 : 4.5 |
| Contrast Ratio | 4000 : 1 |
| Pixel Pitch (mm) | 0.31125(H) x 0.31125(V) |
| Pixel Per Inch (PPI) | 81 |
| Viewing Angle | 178°(H),178°(V) |
| Color Saturation (NTSC) | 90% |
| Display Colors | 16.7M |
| Response Time (Typical) | 20ms |
| Panel Interface | LVDS |
| Video Interface | HDMI, DP |
| Input Power | DC12V |
| Power Consumption | 31.7W |
| OSD Key | 4 Keys (Power Switch, Menu, +, -) |
| OSD Control | Brightness, Color, Contrast, Auto Turing, H/V Position...etc |
| Dimensions (mm) | 626 x 201.5 x 44 |
| Bezel Size(U/B/L/R) | 16.7/16.7/14.2/14.2 |
| Mounting (mm) | 75x75, 250x75 |
| Weight (Net) | 3.5 kg |
| Operating Temperature | 0 °C ~ 50 °C |
| Storage Temperature | -20 °C ~ 60 °C |

SSD= Panel + LED Driving Board + AD Control Board + Housing

Specifications are subject to change without notice.

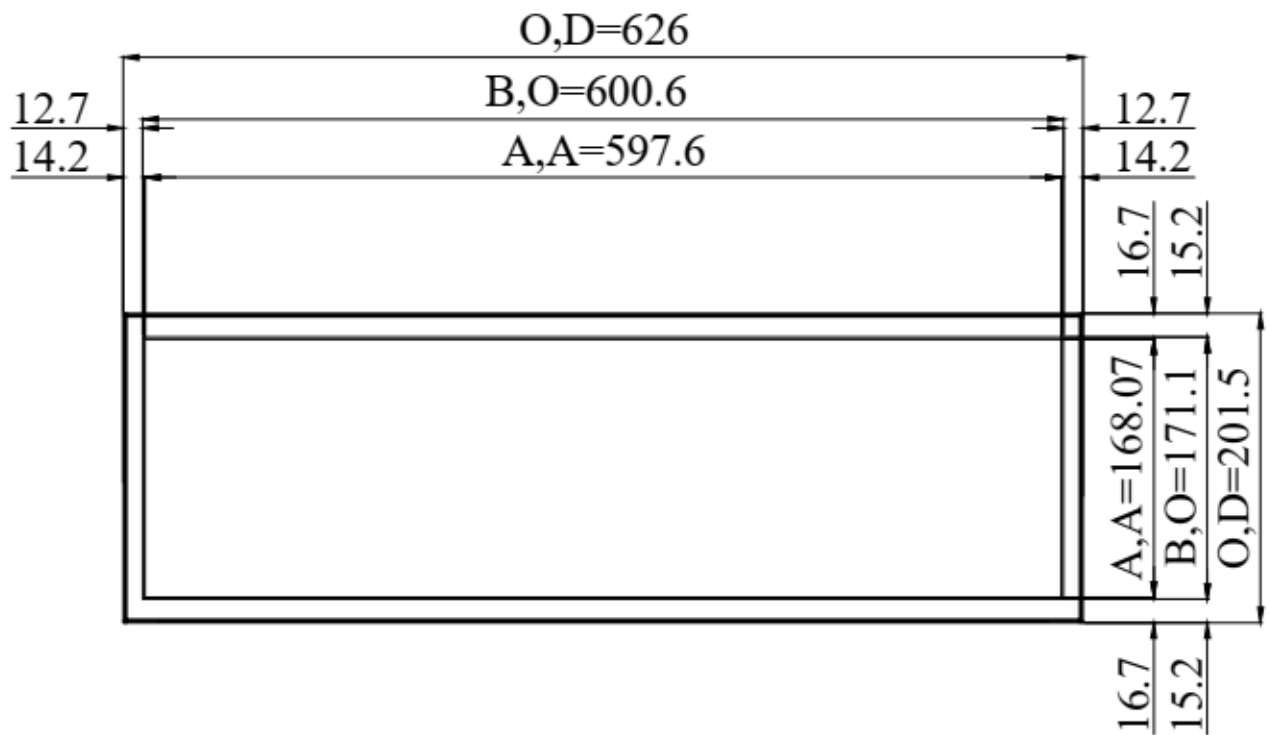
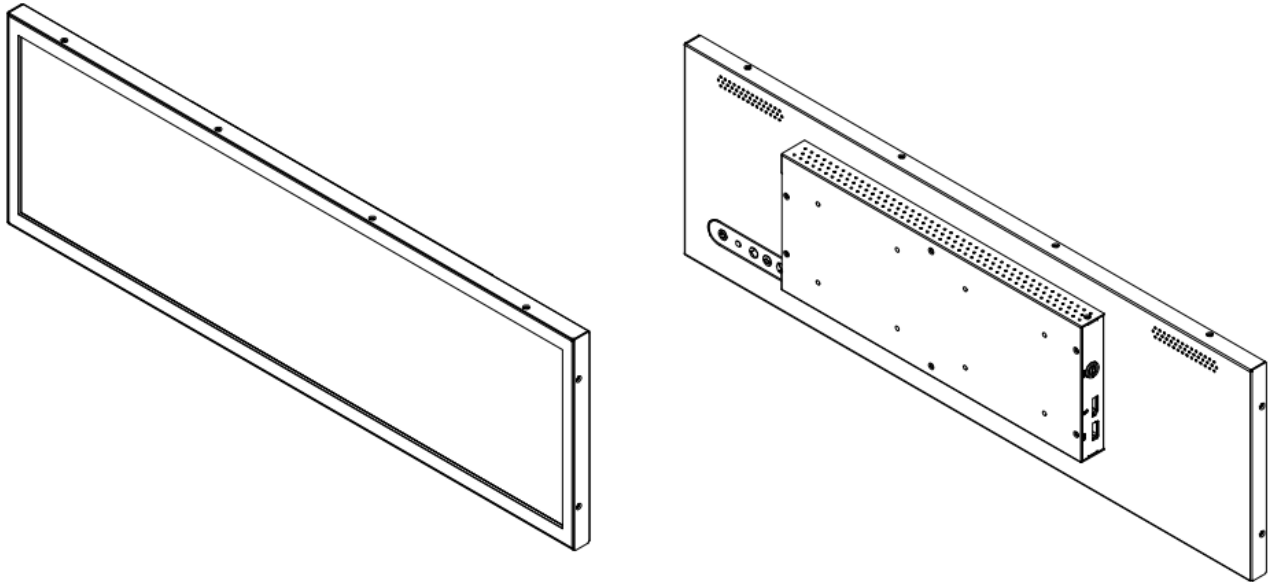
All brands or product names are trademarks or registered trademarks of their respective companies.

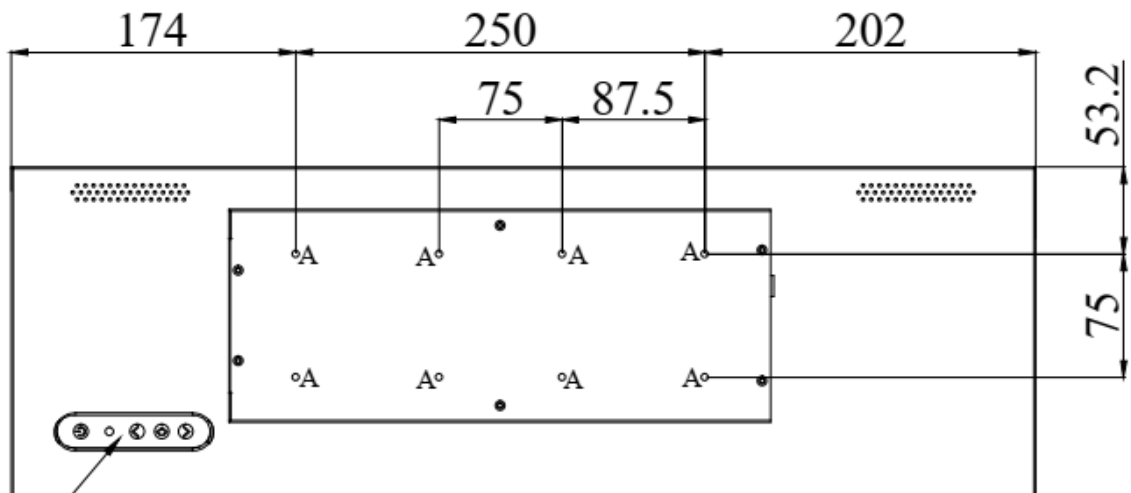
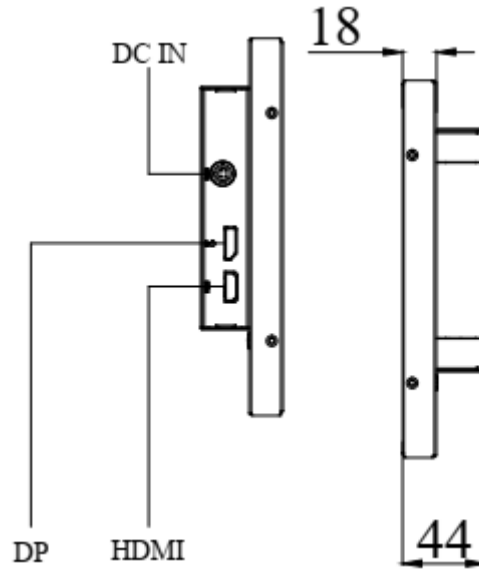
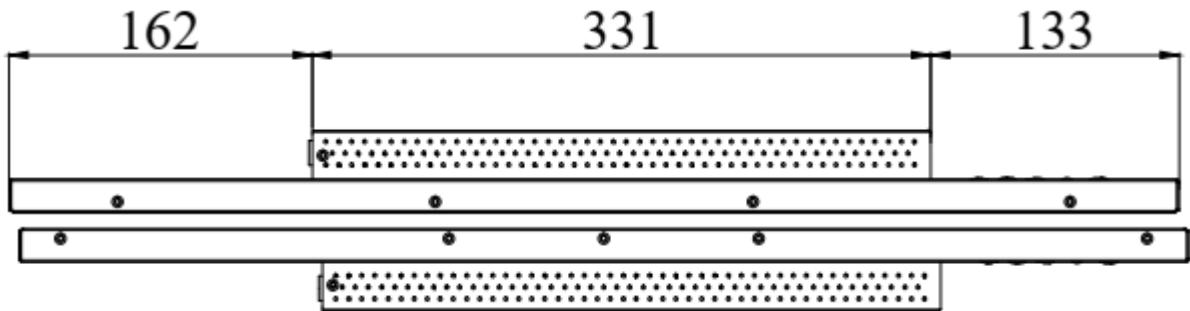


Mechanical Drawing

Outline Dimensions

Unit: mm





MEMBRANE 4-KEY



NOTE :

O.D. : OUTLINE DIMENSION

B.O. : BEZEL OPENING

A.A. : LCD ACTIVE AREA

A:8-M4_USER HOLE_MAX Depth=5mm

Ordering Information

| Part Number | Description |
|------------------------|--|
| SSD2445-MNW-T11 | 24.4",800nits,1920*540,MaxRGB,HVN,LID24C,AD68862HP,O/B,DC12V,5in1,V1 |
| | |

Optional Accessories

| Part Number | Description |
|---------------------|---|
| 840612051212 | ADAPTER,AC/DC,12V/5A,60W,Power-Din-4P,CWT,G99-ABF060F-N022,Efficiency-level-6,R |
| 810618301010 | CABLE.POWER.AC.1830mm USA type |
| 810618301090 | CABLE,POWER,AC,1830mm Europe type |
| 810618301050 | CABLE.POWER.AC.1830mm UK type |
| 810618301170 | CABLE.POWER,AC,1830mm Australia type |
| 810618301031 | CABLE.POWER.AC.1830mm Japan type |

By Customer Request

| | |
|--------------|---------------------------------|
| Glass | Tempered glass, AR coating..... |
| Touch | PCT, SCT, Resistive..... |