



SSD4855-Y V1

48.5" TFT LCD, 1000 nits LED Backlight, 3840x720 ultra wide aspect ratio 16:3

The SSD4855-Y is a 48.5 inch color TFT-LCD display with special aspect ratio 16:3 and wide resolution 3840 x 720. It is Litemax's Spanpixel series product which designed for high brightness 1000 nits with power efficiency LED backlight. It provides LCD panel with specific aspect ratios and sunlight readable for digital signage, public transportation, exhibition hall, department store, and vending machine.

Key Features

- Ultra Wide Screen 16:3
- High Brightness 1000 nits
- Sunlight Readable
- LED Backlight
- Low Power Consumption
- LCD Blackening Defect Free(Hi-Tni 110 °C)
- BL MTBF: 50,000 hours



Specifications

Model Name	SSD4855-Y V1
Description	48.5" TFT LCD, 1000nits LED Backlight, 3840x720
Screen Size	48.5"
Display Area (mm)	1209.6(H) x 226.8(V)
Brightness	1000 cd/m ²
Resolution	3840x720
Aspect Ratio	16:3
Contrast Ratio	3100 : 1
Pixel Pitch (mm)	0.315(H) x 0.315 (V)
Pixel Pre Inch (PPI)	81
Viewing Angle	178°(H),178°(V)
Color Saturation (NTSC)	82%
Display Colors	1.07G
Response Time (Typical)	12ms
Panel Interface	V-by-One
Input Interface	HDMI , DP
Input Power	DC24V
Power Consumption	64W
OSD Key	5 Keys (Power Switch, Menu, +, -,Exit)
OSD Control	Brightness, Color, Contrast, Auto Turing, H/V Position...etc
Dimensions (mm)	1235x 252.2x 70.3
Bezel Size(U/B/L/R)	12.7/12.7/12.7/12.7 mm
Mounting	300x75 , 650x100
Weight (Net)	10.5Kg
Operating Temperature	-20 °C ~ 60 °C
Storage Temperature	-20 °C ~ 60 °C

SSD= Panel + LED Driving Board + AD Control Board + Chassis

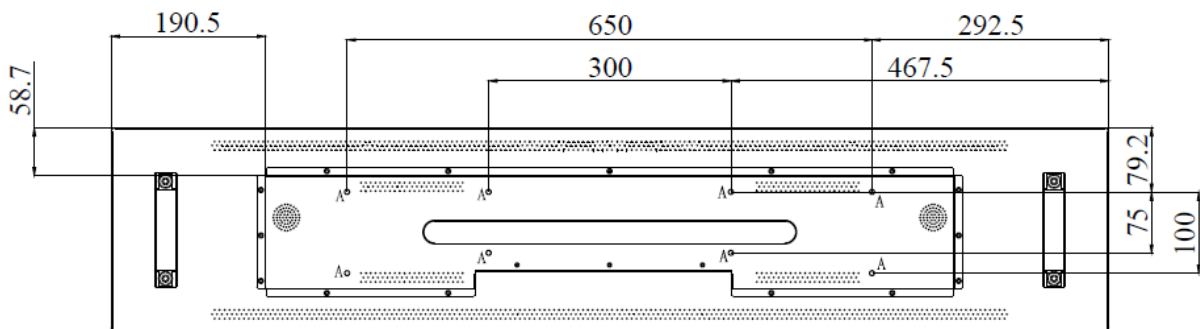
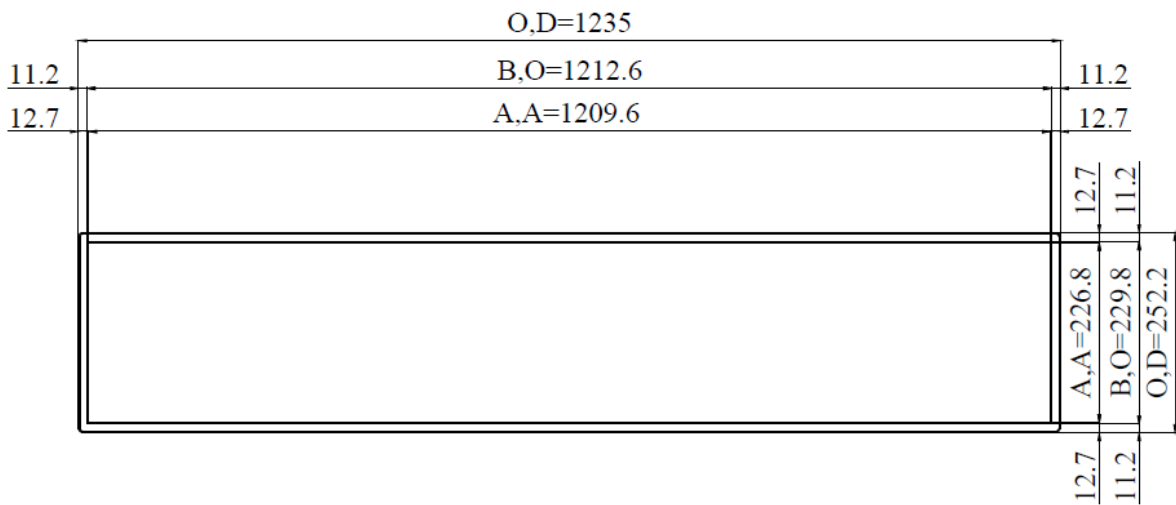
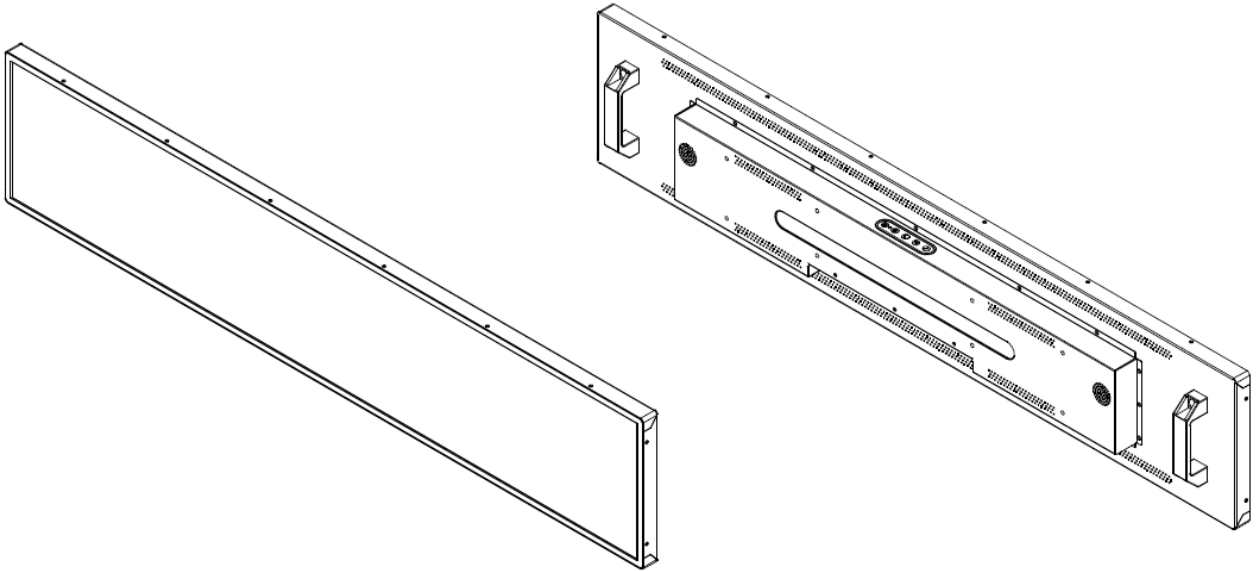
Specifications are subject to change without notice.
All brands or product names are trademarks or registered trademarks of their respective companies.

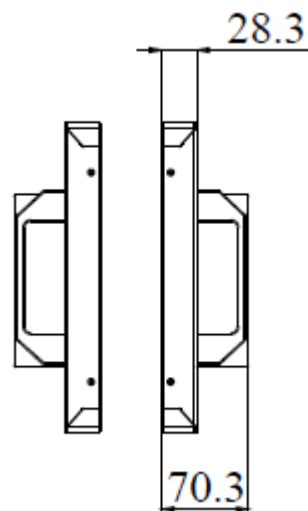
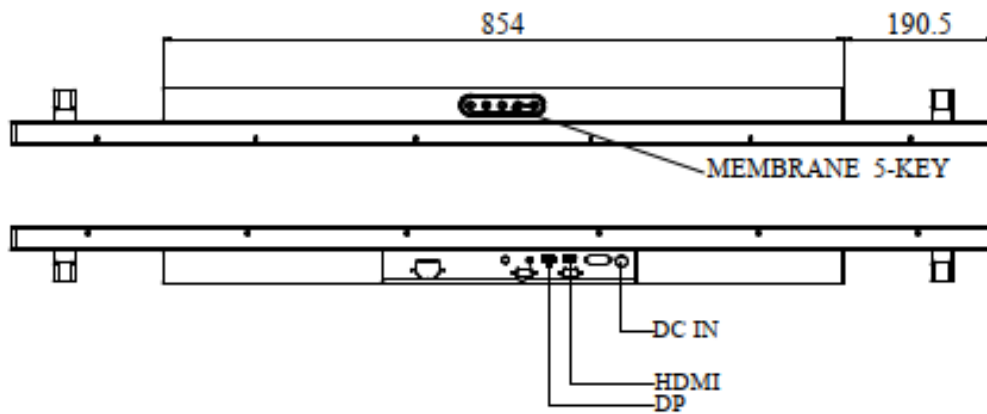


Mechanical Drawing

Outline Dimensions

Unit:mm





Note :

O.D : Outline Dimension(mm)

B.O : Bezel Opening

A.A : LCD Active Area

A:8-M6_USER HOLE_MAX DEPTH=6mm



Ordering Information

Part Number	Description
SSD4855-YNU-M11	48. 5",1000nits,3840x720,HTni,Inn,LID on LCM,AD9131HP,O/B,DC24V,3in1,V1

Optional Accessories

Part Number	Description
840613081200	ADAPTER,24V/3.75A,90W,G99-AAL090M-N048,Power Din 4P,P
810618301010	CABLE,POWER,AC,1830mm USA type
810618301090	CABLE,POWER,AC,1830mm Europe type
810618301050	CABLE,POWER,AC,1830mm UK type
810618301170	CABLE,POWER,AC,1830mm Australia type
810618301031	CABLE,POWER,AC,1830mm Japan type

Customer request

Touch	PCT (Multi-Touch)
Glass	Tempered glass, AR coating.....