



SSF/SSH1236-Y

12.3" TFT LCD, 1200 nits LED Backlight , 1920x720 ultra-wide aspect ratio 16:6

The SSF/SSH1236-Y is a 12.3 inch color TFT-LCD display with special aspect ratio 16:6 and wide resolution 1920 x 720. It is Litemax's Spanpixel series product which designed for high brightness 1200 nits with power efficiency LED backlight. It provides LCD panel with specific aspect ratios and sunlight readable for digital signage, public transportation, exhibition hall, department store, and vending machine.

Key Features

- 12.3" Stretched LCD
- Ultra-Wide Screen (16 : 6)
- High Brightness 1200 nits
- LED Backlight
- Wide temperature (-30°C~85°C)
- Low Power Consumption
- BL MTBF: 30,000 hours



Specifications

Model Name	SSF/SSH1236-Y
Description	12.3" TFT LCD, 1200 nits LED backlight, 1920x720
Screen Size	12.3"
Display Area (mm)	292.32(H) × 109.62(V)
Brightness	1200 cd/m ²
Resolution	1920x720
Aspect Ratio	16 : 6
Contrast Ratio	1500 : 1
Pixel Pitch (mm)	0.15225(H) x 0.15225(V)
Pixel Pre Inch (PPI)	167
Viewing Angle	176°(H),176°(V)
Color Saturation (NTSC)	90%
Display Colors	16.7M
Response Time (Typical)	20ms
Panel Interface	LVDS
Input Interface	HDMI, DP
Input Power	DC 12V
Power Consumption	14W, 17W (with AD board)
OSD Key	4 Keys (Power Switch, Menu, +, -)
OSD Control	Brightness, Color, Contrast, Auto Turing, H/V Position...etc
Dimensions (mm)	305.92(H) x 123.62(V) x 9.40(T)
Bezel Size(U/B/L/R)	9.6/4.4/8.25/5.35 mm
Weight (Net)	0.32kg
Operating Temperature	-30°C ~ 85 °C
Storage Temperature	-40°C ~ 90 °C

SSF= Panel + LED Driving Board

SSH= Panel + LED Driving Board + AD Control Board

Specifications are subject to change without notice.

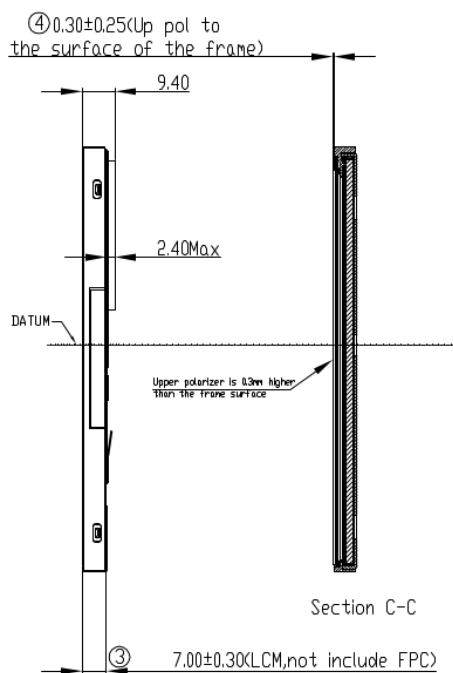
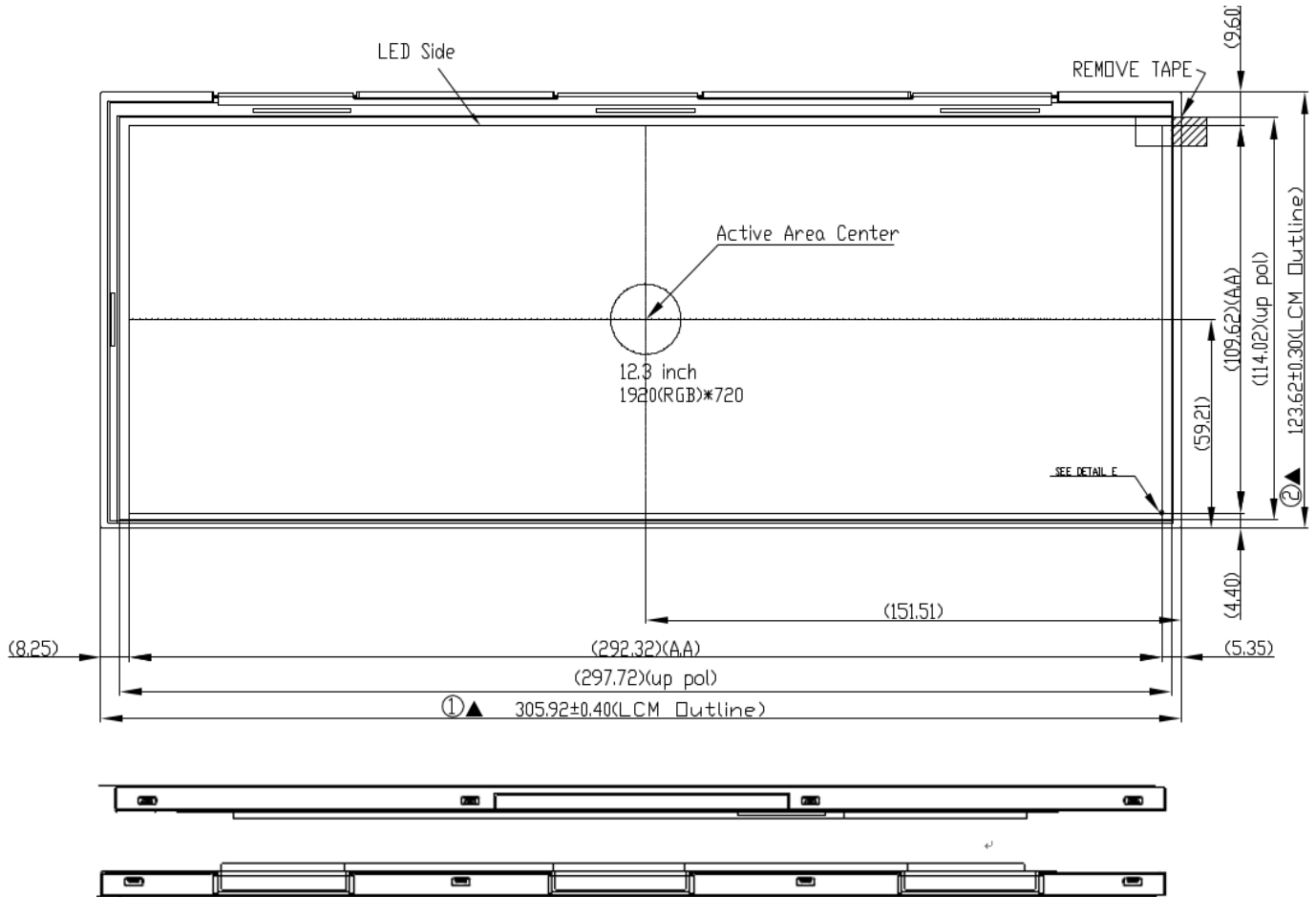
All brands or product names are trademarks or registered trademarks of their respective companies.

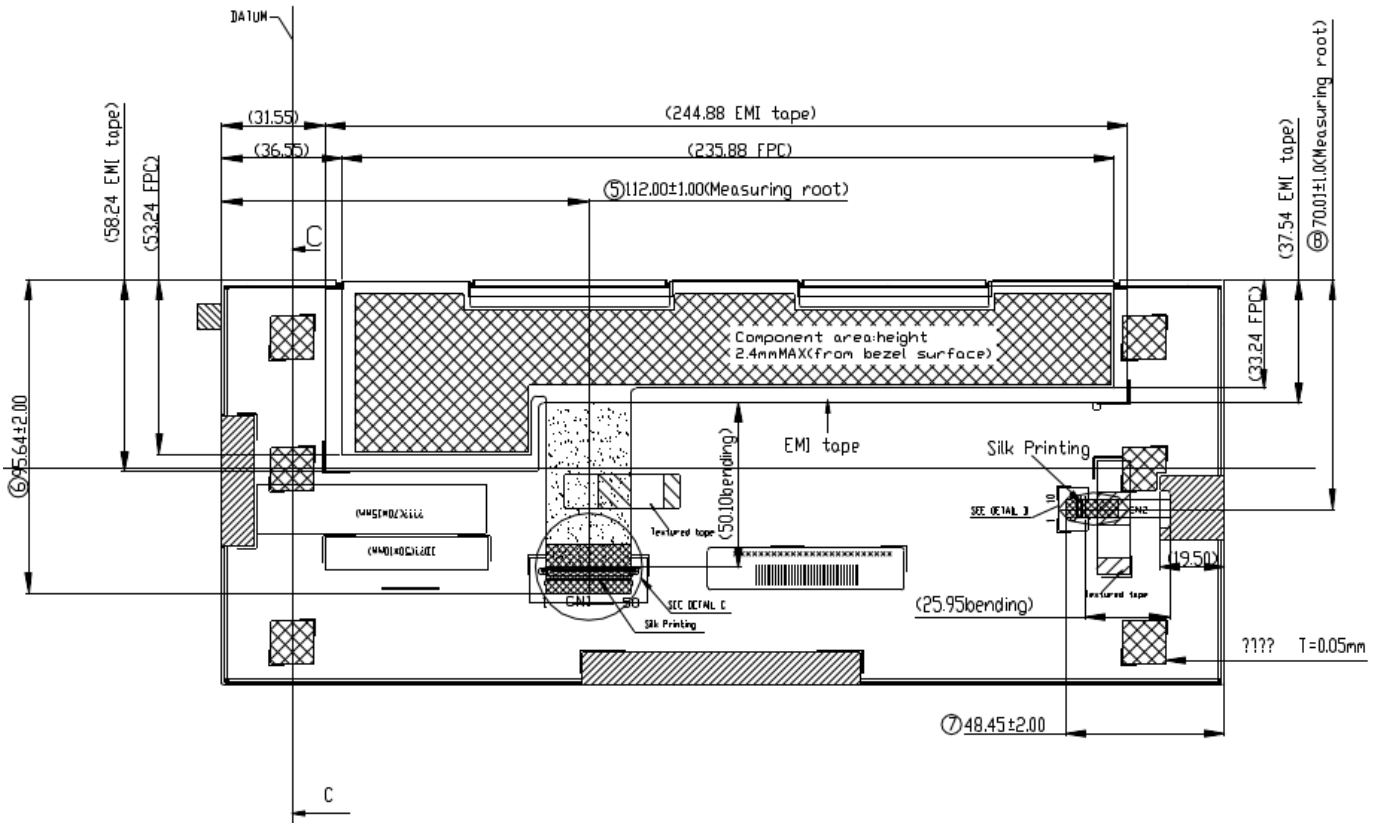


Mechanical Drawing

Outline Dimensions

Unit:mm





Ordering Information

Part Number	Description
SSF1236-YNW-A11	12.3",1200nits,1920x720,T3085,MaxRGB,LID12B,10in1,V1
SSH1236-YNW-T11	12.3",1200nits,1920x720,T3085,MaxRGB, LID12B,AD68862HP,10in1,V1

Optional Accessories

Part Number	Description
840612051212	ADAPTER,AC/DC,12V/5A,60W.Power-Din-4P,CWT.G99-ABF060F-N022.Efficiency-level-6,R
810618301010	CABLE,POWER,AC,1830mm USA type
810618301050	CABLE,POWER,AC,1830mm UK type
810618301170	CABLE,POWER,AC,1830mm Australia type
810618301031	CABLE,POWER,AC,1830mm Japan type

Customer request

Touch	PCT (Multi-Touch)
Glass	Tempered glass, AR coating.....