

1

2

3

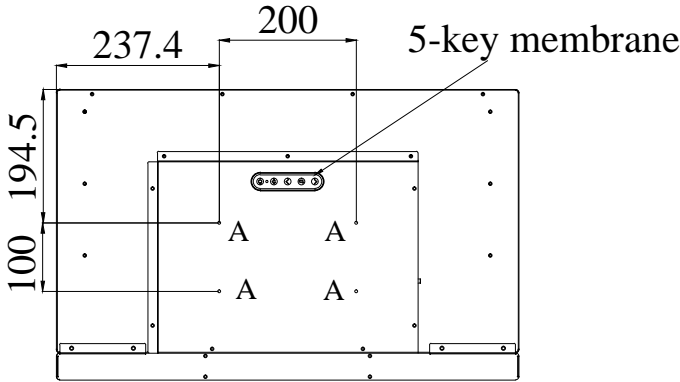
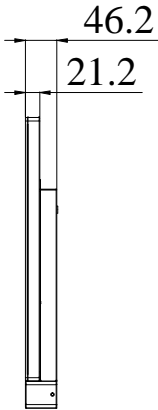
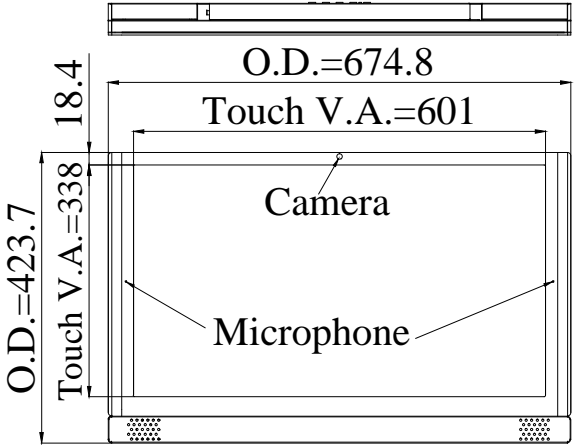
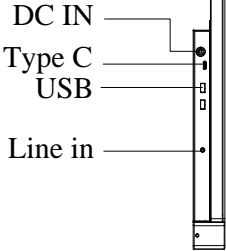
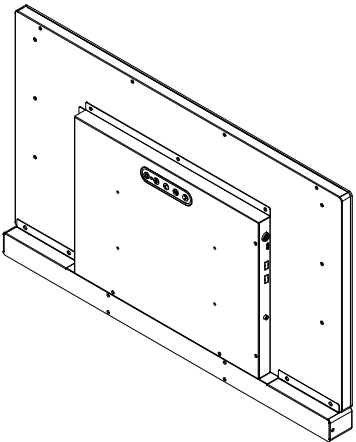
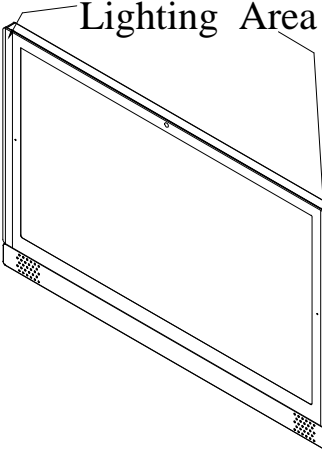
4

5

6

REV	ECN NO.	DESCRIPTION	SIGN	DATE
V1		Design Drawing	Eric_Lin	2022/3/24

A : 4-M4\_USER HOLE\_MAX.  
DEPTH=6 mm



UNIT	SCALE	WEIGHT	ANGLE	GENERAL TOLERANCE	3rd Angle	ORIGINAL MODEL
mm	--:--	—	—	—		DPD2703

TITLE DIM

DRAWING NO.(PART NO.) DPD2703-MTK-C11

DESCRIPTION

<b>LiteMax</b>	LiteMax Electronic Inc.	SIZE	SHT	REV
		A4	1-1	V1

APPROVED	CHECKED	DESIGNED	LEVEL	General tolerance ±			MATERIAL	CRITICAL DIMENSION
				1	2	3		
			DIM.	1	2	3	FINISH	SPC DIMENSION
			0 ~ 4	0.05	0.1	0.2		
			> 4 ~ 14	0.05	0.2	0.3		
			> 14 ~ 63	0.1	0.3	0.5		
			> 63 ~ 250	0.2	0.6	1.2		
			> 250 ~ 600	0.3	0.8	2		
			> 600 ~ 4000	0.5	1.2	3		

Date 2022/7/21