



SLD2118-E 21.5" TFT LCD, 1600 nits LED Backlight, 1920x1080

The SLD2118-E is a 21.5 inch industrial grade sunlight readable LCD, with high brightness 1600 nits, it produce sharp images, crisp text and lifelike colors. The Durapixel LED backlight technology ensures high reliability and low power consumption, suitable for outdoor application, kiosk, factory automation, military, transportation and gaming application.

Key Features

- High Brightness 1600 nits
- Sunlight Readable
- LED Backlight
- Low Power Consumption
- BL MTBF: 100,000 hours



Specifications

Model Name	SLD2118-E
Description	21.5" TFT LCD, 1600 nits LED Backlight, 1920x1080
Screen Size	21.5"
Display Area (mm)	476.6(H) x 268.1(V)
Brightness (Typical)	1600 cd/m ²
Resolution	1920x1080
Aspect Ratio	16 : 9
Contrast Ratio (Typical)	1100 : 1
Pixel Pitch (mm)	0.24825(H) x 0.24825(V)
Pixel Per Inch (PPI)	102
Viewing Angle	170°(H),160°(V)
Color Saturation (NTSC)	82%
Display Colors	16.7M
Response Time (Typical)	5ms
Panel Interface	LVDS
Input Interface	VGA,DVI-D,HDMI
Input Power	DC12V
Power Consumption	36.6W
OSD Key	4 Keys (Power Switch, Menu, +, -)
OSD Control	Brightness, Color, Contrast, Auto Turing, H/V Position...etc
Dimensions (mm)	500.2 x 294.6 x 35.5
Bezel Size(U/B/L/R)	13.3/13.2/11.8/11.8
Weight (Net)	5kg
Mounting	75x75,100x100 mm
Operating Temperature	0 °C ~ 50 °C
Storage Temperature	-20 °C ~ 60 °C

SLD= Panel + LED Driving Board + AD Control Board + Chassis

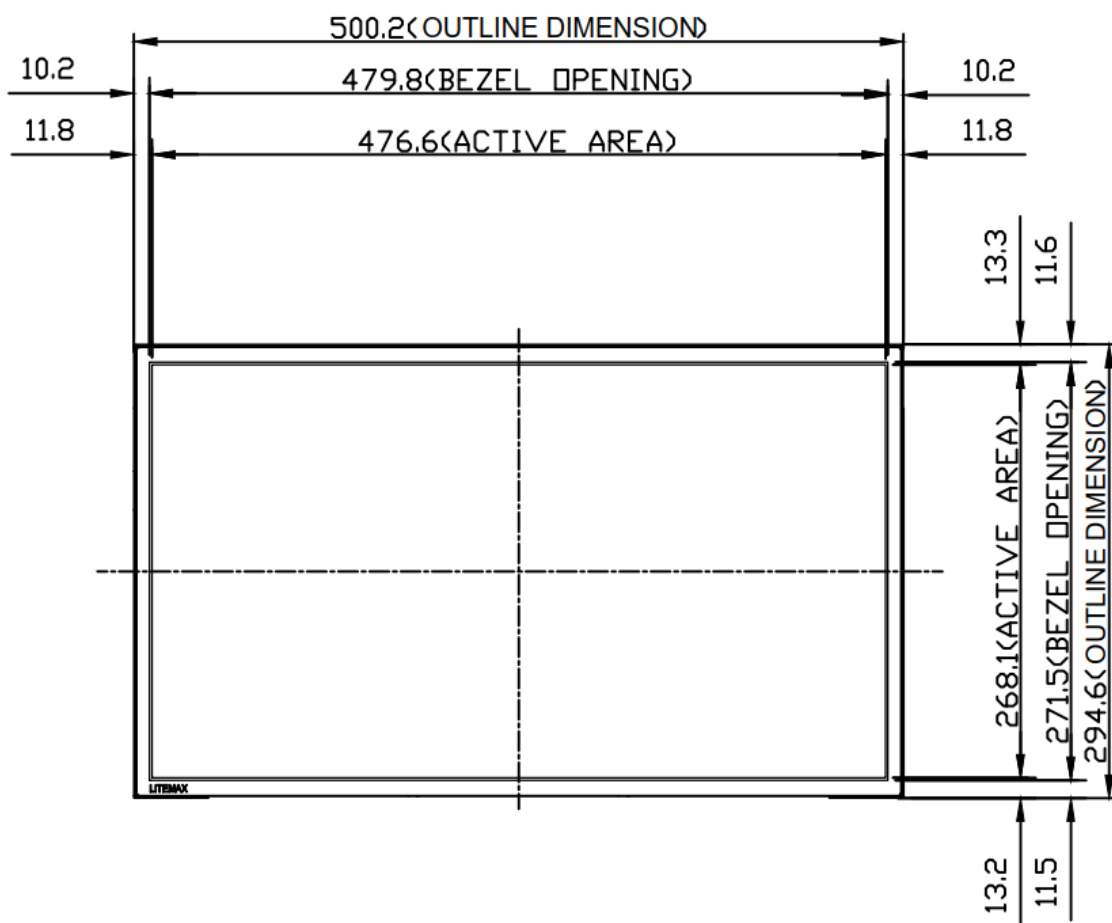
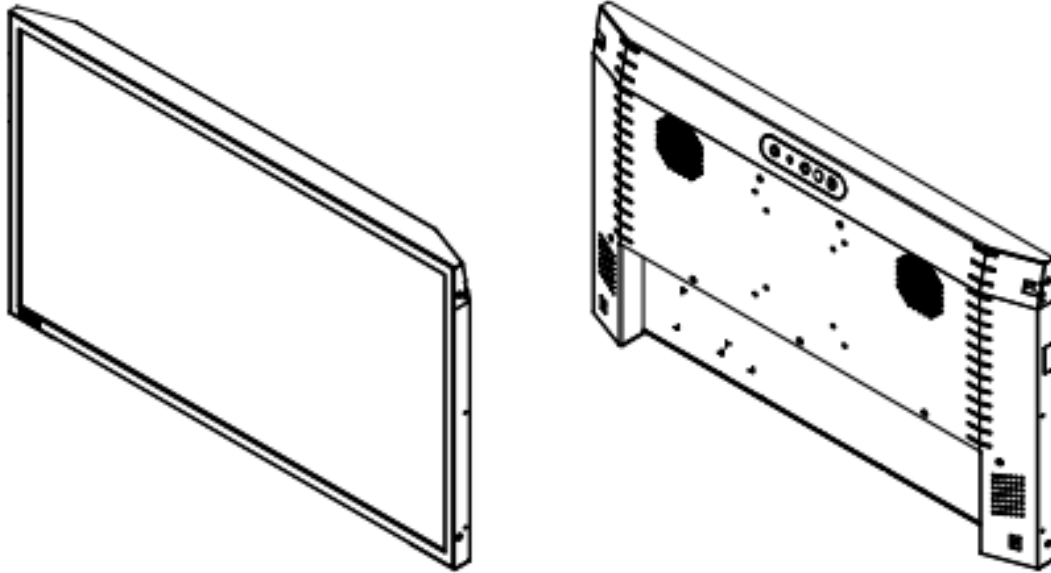
Specifications are subject to change without notice.
All brands or product names are trademarks or registered trademarks of their respective companies.

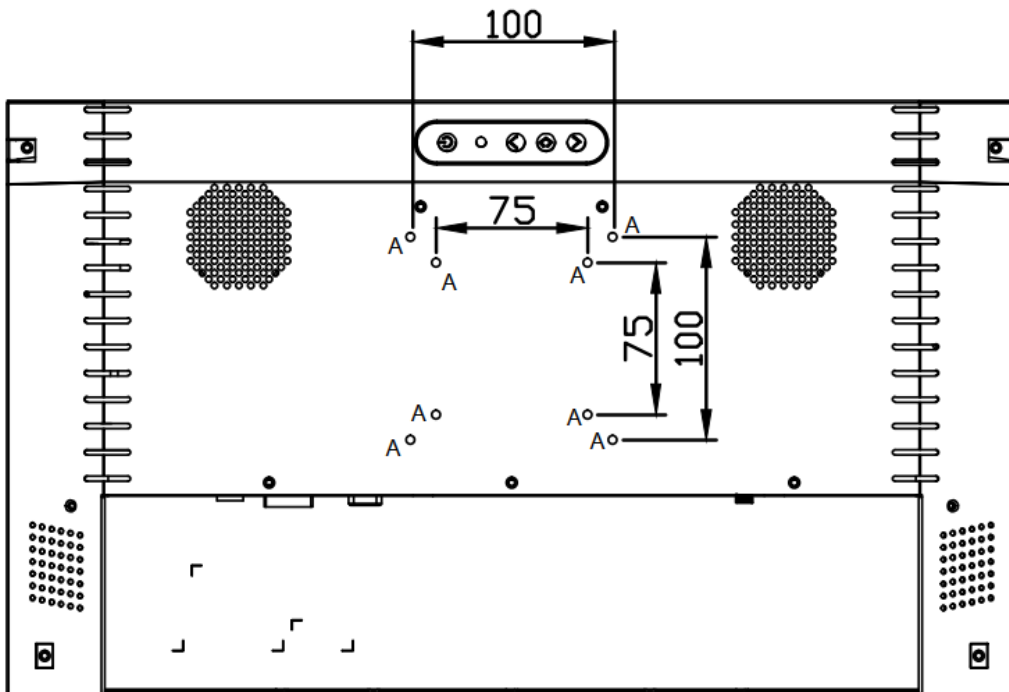
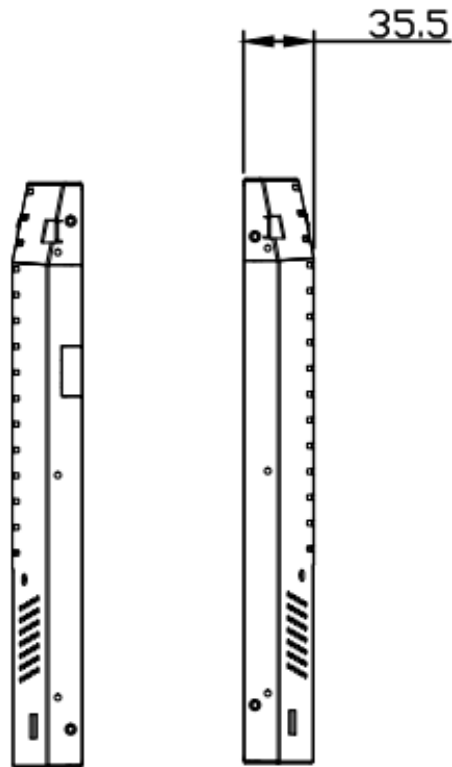


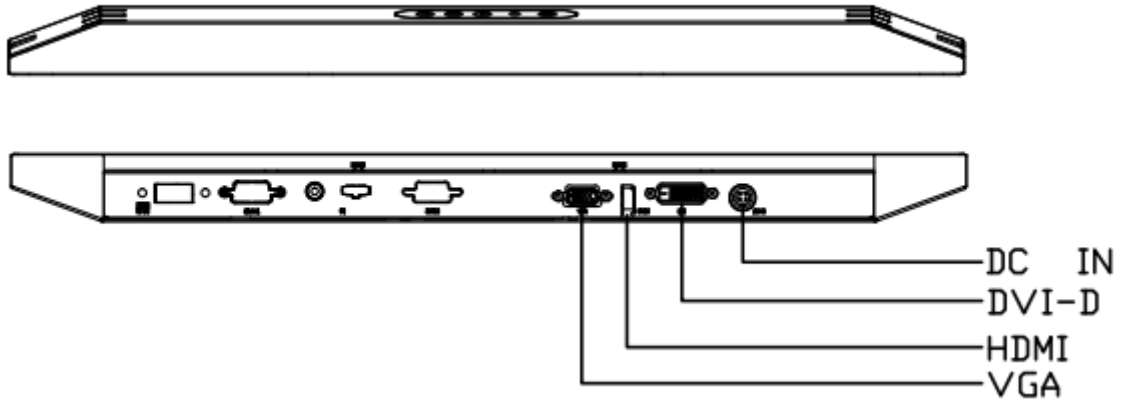
Mechanical Drawing

Outline Dimensions

Unit: mm







NOTE :

A : 8-M4_USER_HOLE_MAX. DEPTH=4mm

Ordering Information

Part Number	Description
SLD2118-ENB-Q01	21.5",1600nits,1920x1080.LID21C.AD8891GDH.O/B,DC12V,3in1.V1
SLO2118-ENB-Q01	21.5",1600nits,1920x1080.LID21C.AD8891GDH.O/B,DC12V,3in1,V1

Optional Accessories

Part Number	Description
810618301010	CABLE,POWER,AC,1830mm USA type
810618301090	CABLE,POWER,AC,1830mm Europe type
810618301050	CABLE,POWER,AC,1830mm UK type
810618301170	CABLE,POWER,AC,1830mm Australia type
810618301031	CABLE,POWER,AC,1830mm Japan type

Customer request

Touch	SCT (Single-Touch), PCT (Multi-Touch)
Glass	Tempered glass, AR coating.....