



## ULF/ULH3205-B 32" TFT LCD, 1000 nits LED Backlight, 1920x1080

The ULF/ULH3205-B is a 32 inch industrial grade sunlight readable LCD, with high brightness 1000 nits, it produce sharp images, crisp text and lifelike colors. The Ubipixel LED backlight technology ensures high reliability and low power consumption, suitable for outdoor application, kiosk, factory automation, military, transportation and gaming application.

### Key Features

- Sunlight readable
- High Brightness 1000 nits
- Wide Viewing Angle of 178°(H), 178°(V)
- LED Backlight
- Low Power Consumption
- BL MTBF: 100,000 hours



### Specifications

<b>Model Name</b>	<b>ULF/ULH3205-B</b>
<b>Description</b>	32" TFT LCD, 1000nits LED Backlight, 1920x1080
<b>Screen Size</b>	32"
<b>Display Area (mm)</b>	698.4(H) x 392.85(V)
<b>Brightness (Typical)</b>	1000 cd/m2
<b>Resolution</b>	1920x1080
<b>Aspect Ratio</b>	16:9
<b>Contrast Ratio (Typical)</b>	1200 : 1
<b>Pixel Pitch (mm)</b>	0.36375(H) x 0.36375 (V)
<b>Pixel Pre Inch (PPI)</b>	69
<b>Viewing Angle</b>	178°(H),178°(V)
<b>Color Saturation (NTSC)</b>	82%
<b>Display Colors</b>	16.7M
<b>Response Time (Typical)</b>	8ms
<b>Panel Interface</b>	LVDS
<b>Input Interface</b>	HDMI, DP
<b>Input Power</b>	DC24V
<b>Power Consumption</b>	56.2W ( 58.6W With AD Control Board )
<b>OSD Key</b>	4 Keys (Power Switch, Menu, +, -)
<b>OSD Control</b>	Brightness, Color, Contrast, Auto Turing, H/V Position...etc
<b>Dimensions (mm)</b>	716.2 x 415.05 x 25.35
<b>Bezel Size(U/B/L/R)</b>	8.845/13.355/8.9/8.9
<b>Weight (Net)</b>	4.2 kg
<b>Operating Temperature</b>	0 °C ~ 50 °C
<b>Storage Temperature</b>	-20 °C ~ 60 °C

ULF= Panel + LED Driving Board

ULH= Panel + LED Driving Board + AD Control Board

*Specifications are subject to change without notice.*

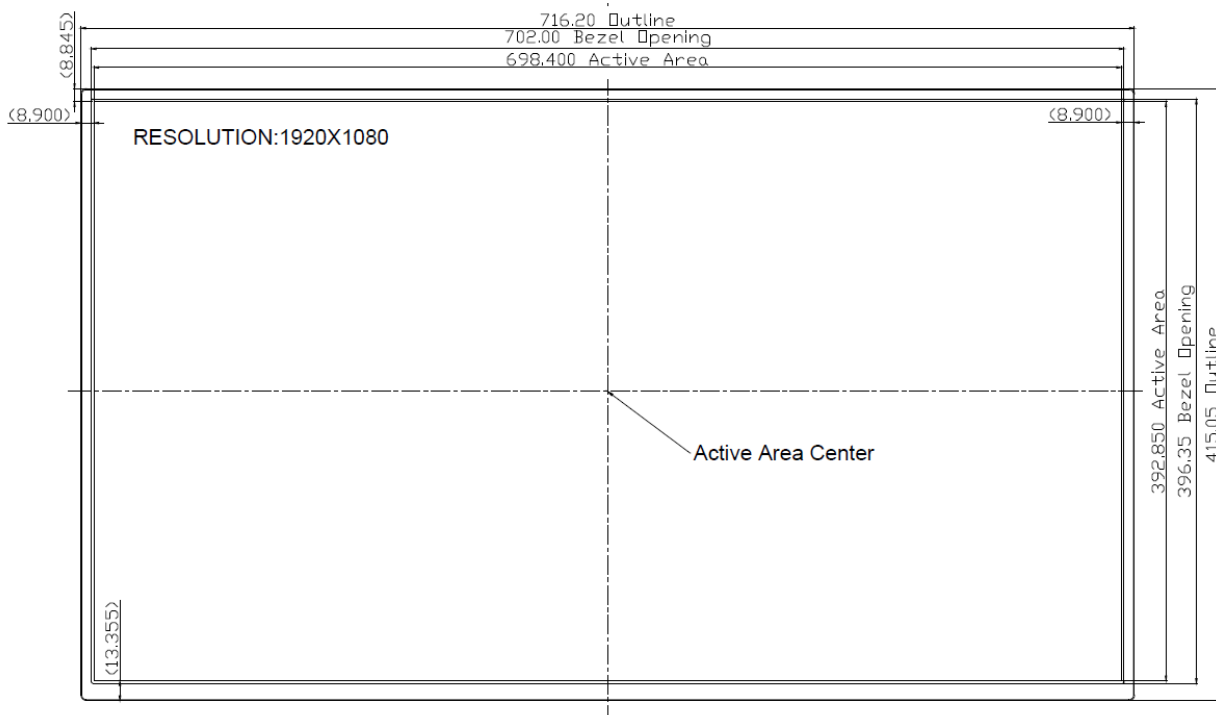
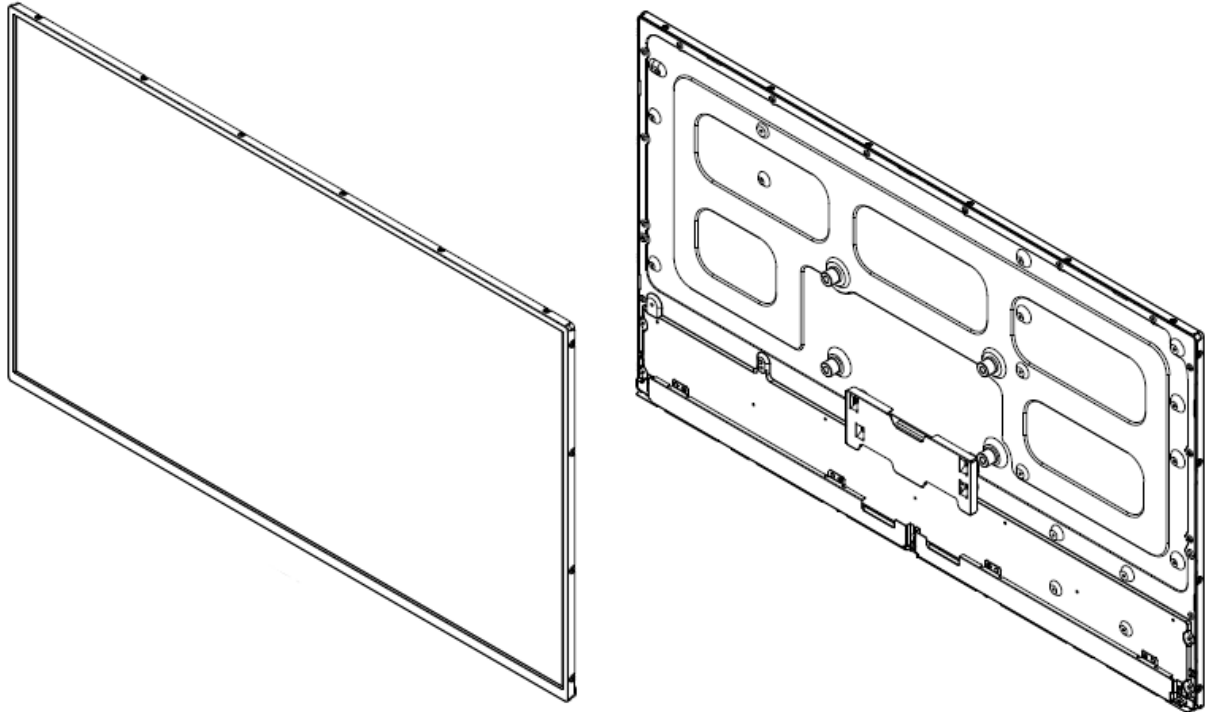
*All brands or product names are trademarks or registered trademarks of their respective companies.*

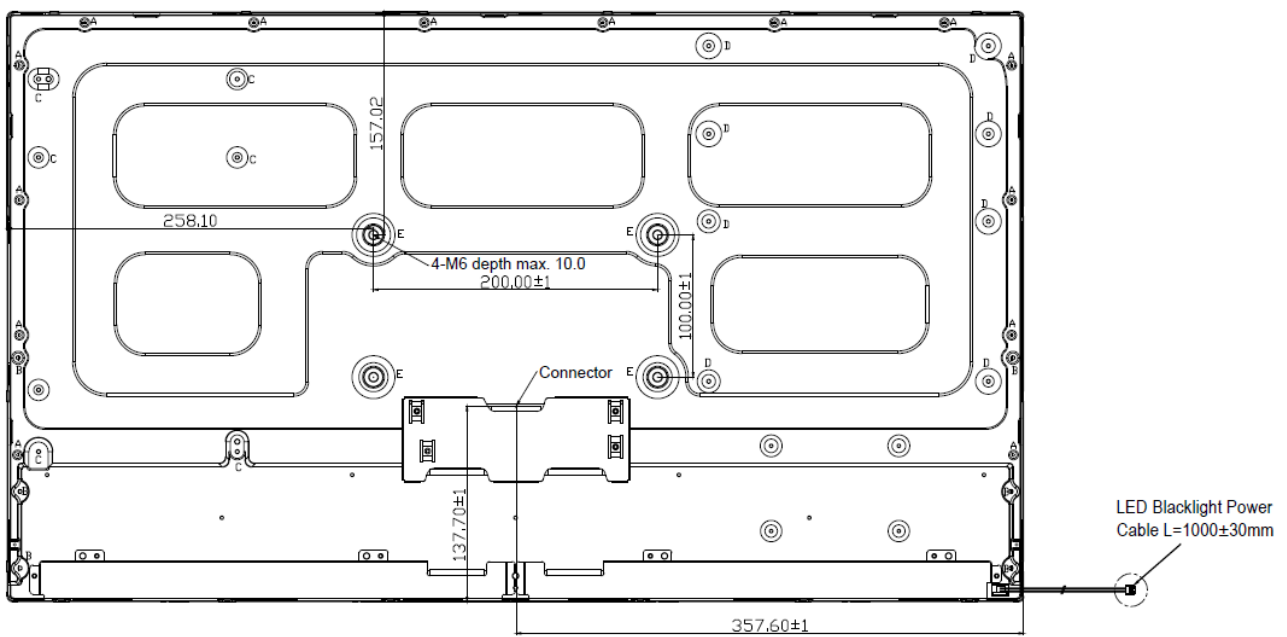
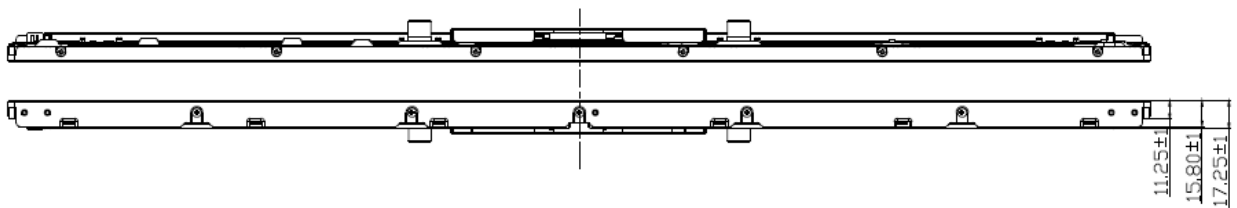
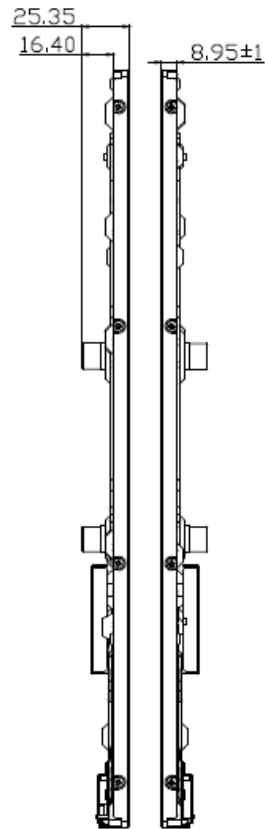


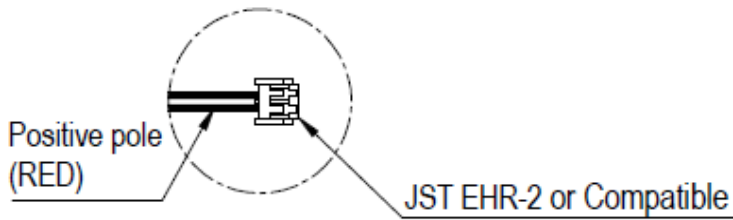
## Mechanical Drawing

### Outline Dimensions

Unit:mm







## Connector View

Note :

1. THE DIMENSION EXCLUDES DEFORMATION.
2. Connector : IS050-C51B-C39-S (UJU) / FI-RE51S-HF-R1500 (JAE) or Equivalent.
3. M2 USER HOLE SCREW TORQUE 4.0 kgf- cm MAX  
M3 USER HOLE SCREW TORQUE 6.0 kgf- cm MAX.  
M6 USER HOLE SCREW TORQUE 20.0 kgf- cm MAX
- 4.A:14-M2 Depth max2.0  
B:3-M3 Depth max3.0  
C:6-M3 Depth max4.0  
D:8-M3 Depth max5.0  
E:4-M6 Depth max10.0

### Ordering Information

Part Number	Description
ULF3205-BHN-A11	32",1000nits,1920x1080,LID32C,2in1,V1
ULH3205-BHN-T11	32",1000nits,1920x1080,LID32C,AD68862HP,DC24V,2in1,V1

### Optional Accessories

Part Number	Description
840613081200	ADAPTER,,24V,3.75A,90W.G99-AAL090M-N048.POWER DIN 4P,P
810618301010	CABLE,POWER,AC,1830mm USA type
810618301090	CABLE,POWER,AC,1830mm Europe type
810618301050	CABLE,POWER,AC,1830mm UK type
810618301170	CABLE,POWER,AC,1830mm Australia type
810618301031	CABLE,POWER,AC,1830mm Japan type

### Customer request

Touch	SCT (Single-Touch), PCT (Multi-Touch)
Glass	Tempered glass, AR coating.....