



DLF/DLH1768-E 17" TFT LCD, 1600 nits LED Backlight, 1280x1024

The DLF/DLH1768-E is a 17inch industrial grade sunlight readable LCD, with high brightness 1600 nits, it produces sharp images, crisp text and lifelike colors. The Durapixel LED backlight technology ensures high reliability and low power consumption, suitable for outdoor application, kiosk, factory automation, military, transportation and gaming application.

Key Features

- High brightness 1600 nits
- Sunlight readable
- Resolutions: 1280x1024
- LED Backlight
- Aspect ratio of 5:4
- Wide temperature (-30°C ~ 85 °C)
- Low power consumption
- BL MTBF: 100,000 hours



Specifications

Model Name	DLF/DLH1768-E
Description	17" TFT LCD, 1600nits LED Backlight, 1280x1024
Screen Size	17"
Display Area (mm)	337.92 (H) x 270.34(V)
Brightness	1600 cd/m ²
Resolution	1280x1024
Aspect Ratio	5:4
Contrast Ratio	1000 : 1
Pixel Pitch (mm)	0.264(H) x 0.264(V)
Pixel Pre Inch (PPI)	96
Viewing Angle	160°(H),140°(V)
Color Saturation (NTSC)	80%
Display Colors	16.7M
Response Time (Typical)	30ms
Panel Interface	LVDS
Input Interface	VGA, DVI-D, HDMI
Input Power	DC 12V
Power Consumption	29W(31.5W with AD Control Board)
OSD Key	4 Keys (Power Switch, Menu, +, -)
OSD Control	Brightness, Color, Contrast, H/V Position...etc
Dimensions (mm)	358.5 x 296.5 x 14.7
Bezel Size(U/B/L/R)	13.08/13.08/10.29/10.29
Weight (Net)	1.65kg
Operating Temperature	-30 °C ~ 85 °C
Storage Temperature	-30 °C ~ 85°C

DLF= Panel + LED Driving Board

DLH= Panel + LED Driving Board + AD Control Board

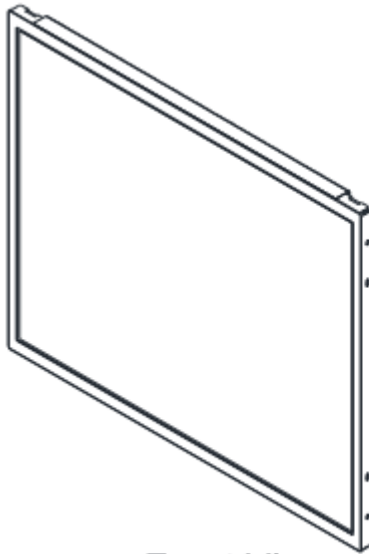
Specifications are subject to change without notice.
All brands or product names are trademarks or registered trademarks of their respective companies.



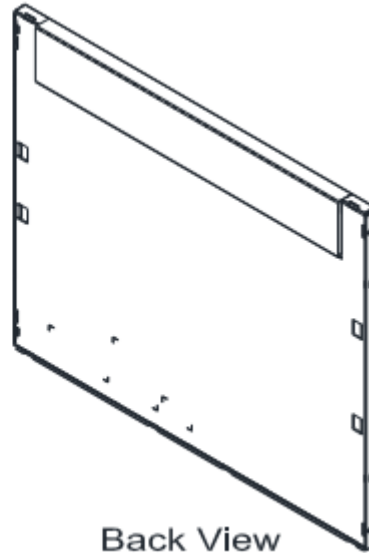
Mechanical Drawing

Outline Dimensions

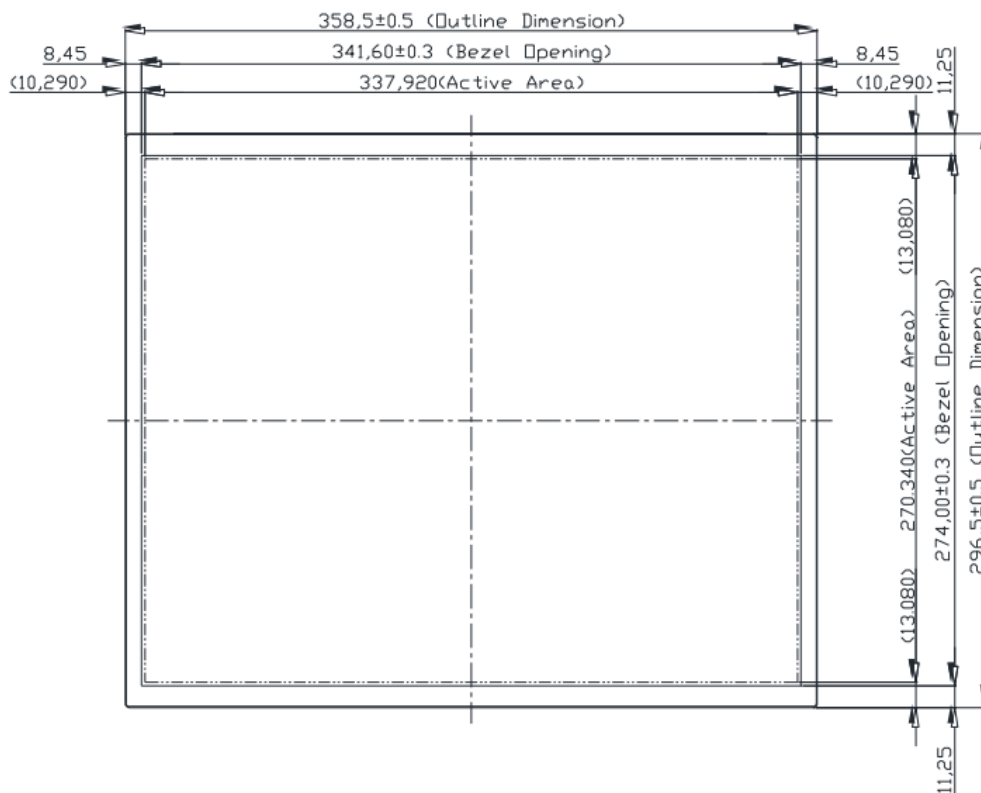
Unit:mm

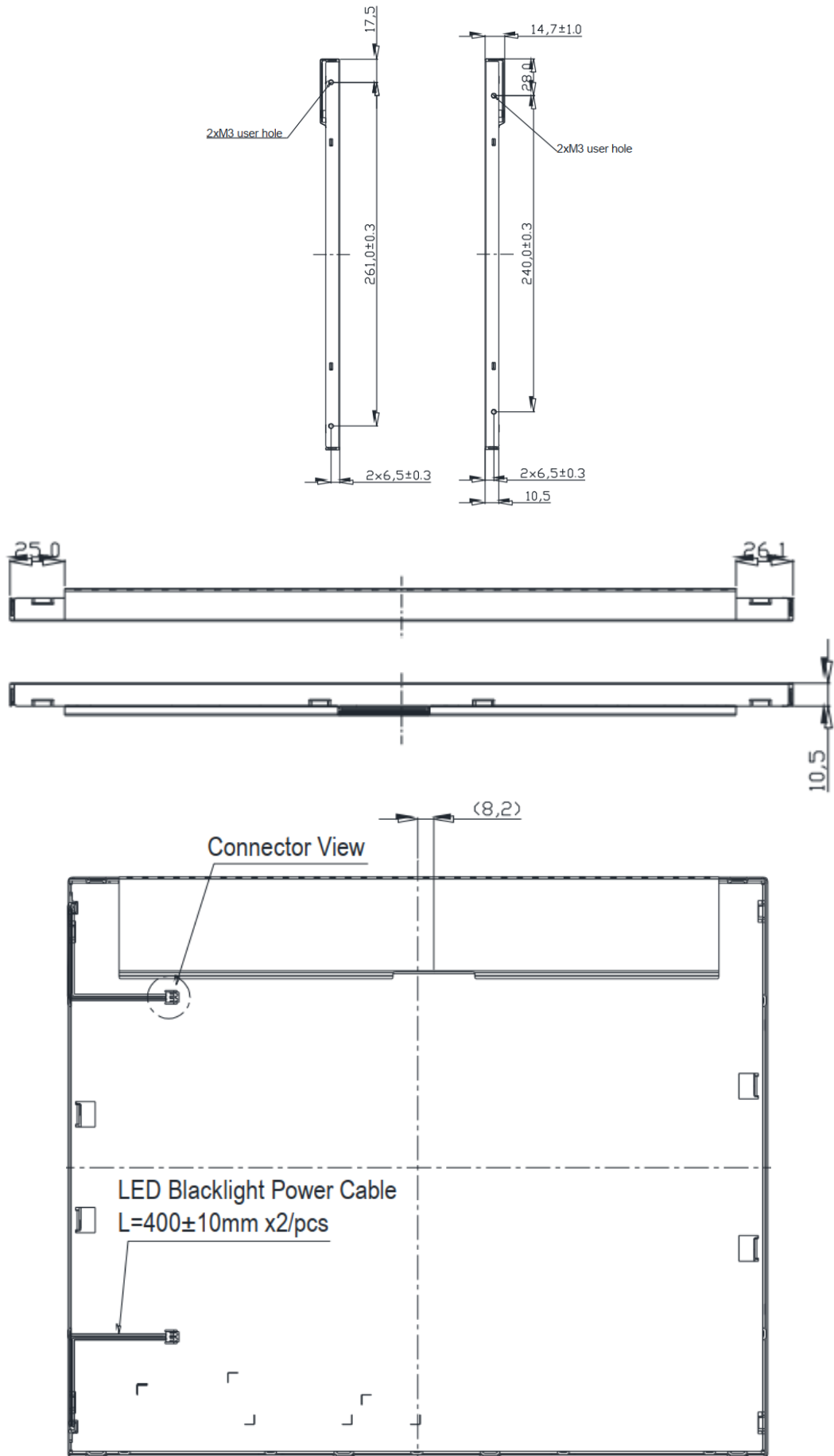


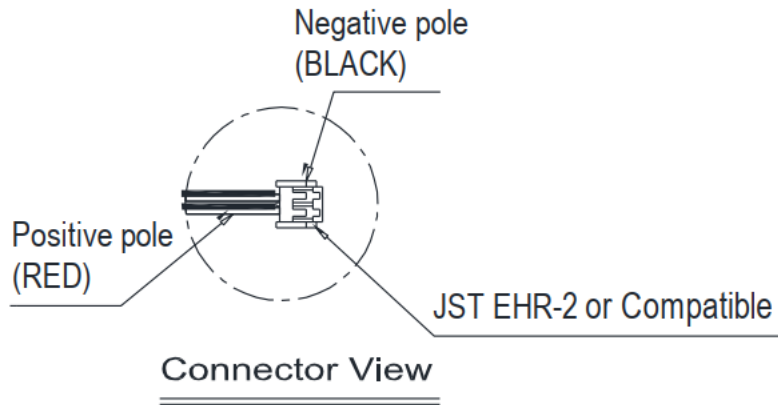
Front View



Back View







Note :

- 1.Resolution: 1280x1024
- 2."()" marks the reference dimensions
- 3.Front Case is black paint
- 4.M3 user hole screw torque 4.5 kgf- cm max , hole depth 4.0mm max

Ordering Information

Part Number	Description
DLF1768-ENN-A31	17",1600nits,1280x1024.T3085,LID17C,5in1,V2
DLH1768-ENN-Q31	17",1600nits,1280x1024,T3085.LID17C,AD8891GDH w/o.BSO,DC12V,5in1,V2

Optional Accessories

Part Number	Description
840612051212	ADAPTER,AC/DC,12V/5A,60W.Power-Din-4P,CWT.G99-ABF060F-N022.Efficiency-level-6,R
810618301010	CABLE,POWER,AC,1830mm USA type
810618301090	CABLE,POWER,AC,1830mm Europe type
810618301050	CABLE,POWER,AC,1830mm UK type
810618301170	CABLE,POWER,AC,1830mm Australia type
810618301030	CABLE,POWER,AC,1830mm Japan type

Customer request

Touch	PCT (Multi-Touch)
Glass	Tempered glass, AR coating.....