



## SSD2368-C

### 23.6" TFT LCD, 1600nits LED Backlight, 1280 x 1280, Circle Display

The SSD2368-C is a 23.6 inch color TFT-LCD display with brightness 1600 nits, special aspect ratio 1:1 and wide resolution 1280x1280. It is Litemax's Circlepixel series product which designed for high brightness with power efficiency LED backlight. It provides LCD panel with specific aspect ratios and sunlight readable for digital signage, public transportation, exhibition hall, department store, and vending machine.

#### Key Features

- 23.6" Circle Display
- High Resolution 1280 x 1280
- High Brightness 1600nits
- Aspect Ratio 1:1
- LED Backlight
- Optional Programmable RGB Circle Lighting
- Low Power Consumption



### Specifications

<b>Model Name</b>	<b>SSD2368-C</b>
<b>Description</b>	23.6" TFT LCD, 1600nits LED Backlight, 1280 x 1280, Circle Display
<b>Screen Size</b>	23.6"
<b>Display Area (mm)</b>	599.424(H) x 599.424(V)
<b>Brightness</b>	1600 cd/m <sup>2</sup>
<b>Resolution</b>	1280 x 1280
<b>Aspect Ratio</b>	1 : 1
<b>Contrast Ratio</b>	1500 : 1
<b>Pixel Pitch (mm)</b>	0.468(H) x 0.468(V)
<b>Pixel Pre Inch (PPI)</b>	76
<b>Viewing Angle</b>	178°(H),178°(V)
<b>Color Saturation (NTSC)</b>	81%
<b>Display Colors</b>	16.7M
<b>Response Time (Typical)</b>	14ms
<b>Panel Interface</b>	LVDS
<b>Input Interface</b>	HDMI, DP
<b>Input Power</b>	DC24V
<b>Power Consumption</b>	85.6W
<b>OSD Key</b>	4 Keys (Power Switch, Menu, +, -)
<b>OSD Control</b>	Brightness, Color, Contrast, Auto Turing, H/V Position...etc
<b>Dimensions (mm)</b>	659.6 x 659.6 x 66.02
<b>Bezel Size(U/B/L/R)</b>	30.09/30.09/30.09/30.09
<b>Weight (Net)</b>	8.3kg
<b>Mounting</b>	100x100, 200x100
<b>Operating Temperature</b>	0 °C ~ 50 °C
<b>Storage Temperature</b>	-20 °C ~ 60 °C

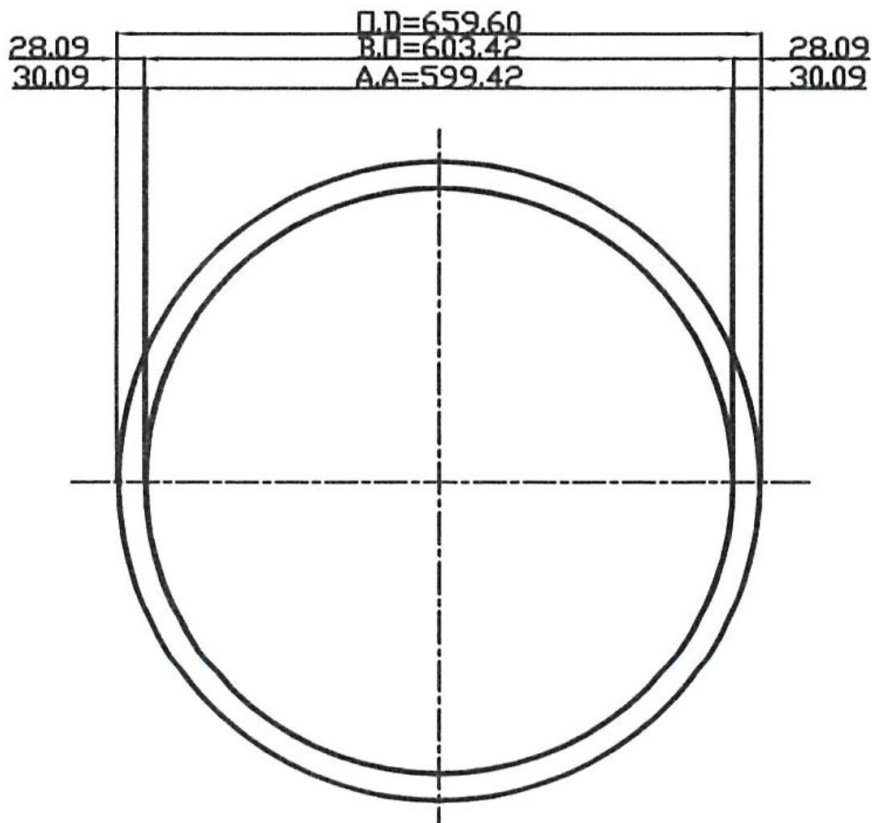
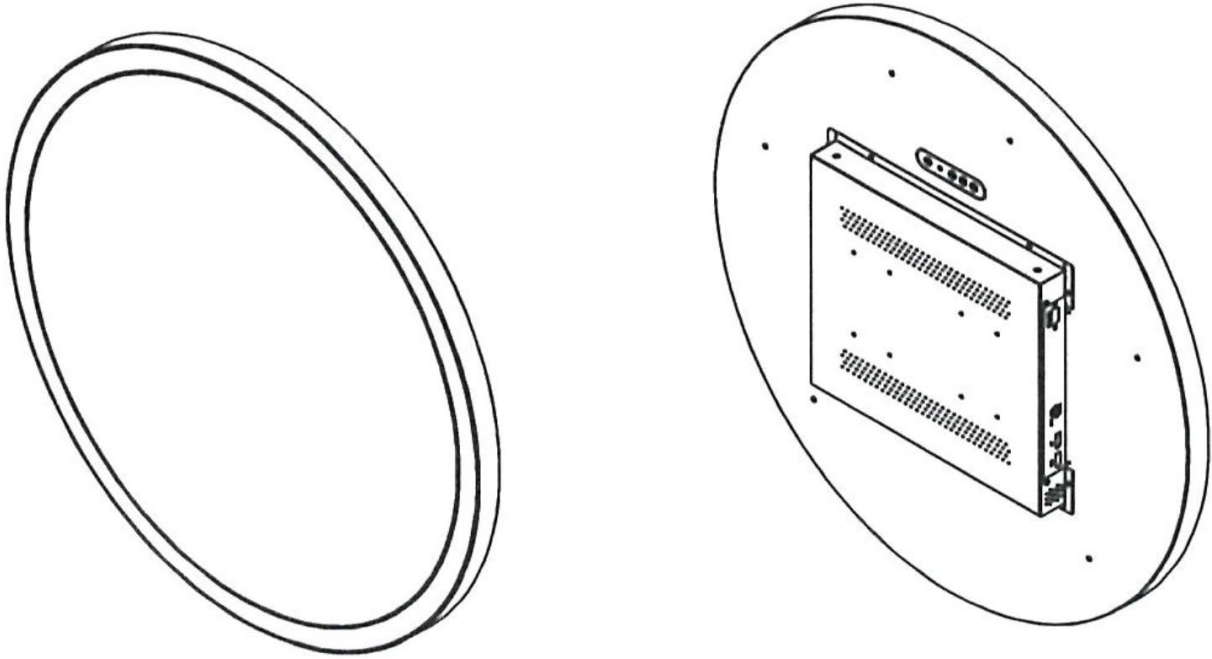
**SSD= Panel + LED Driving Board + AD Control Board + Chassis**

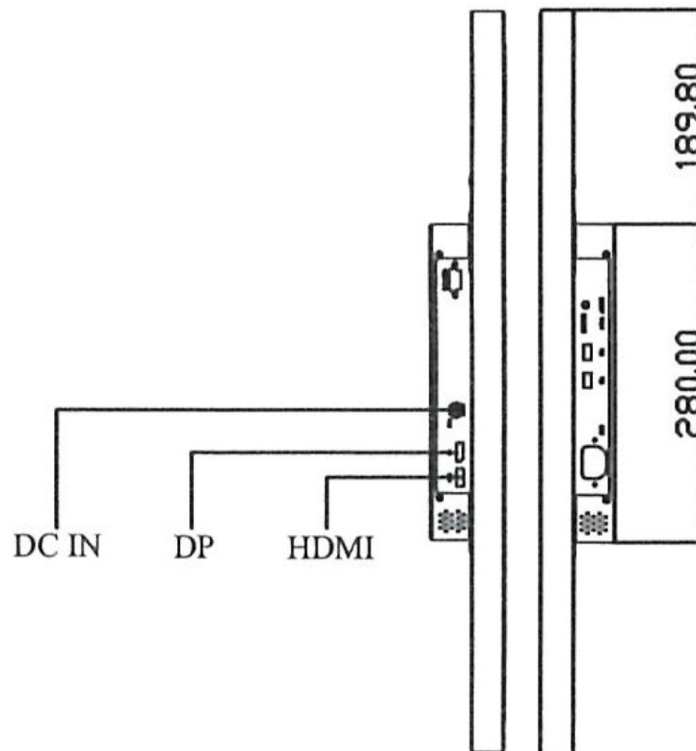
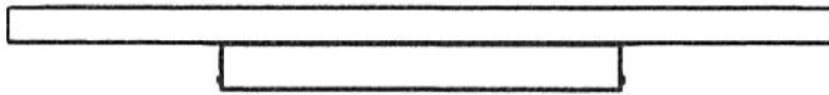
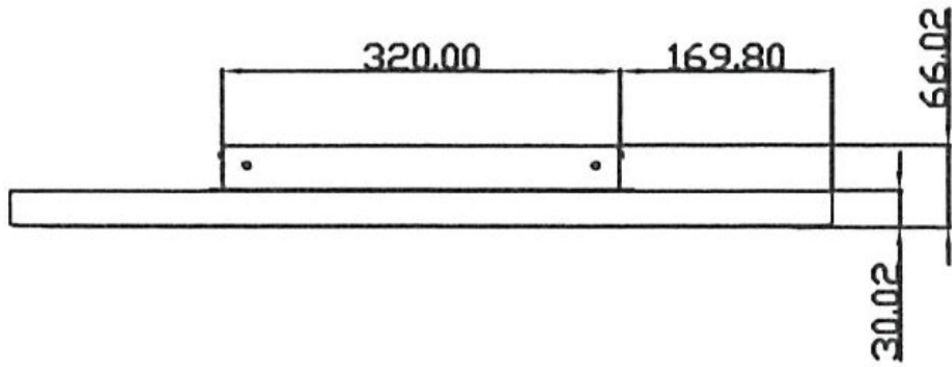
Specifications are subject to change without notice.  
All brands or product names are trademarks or registered trademarks of their respective companies.

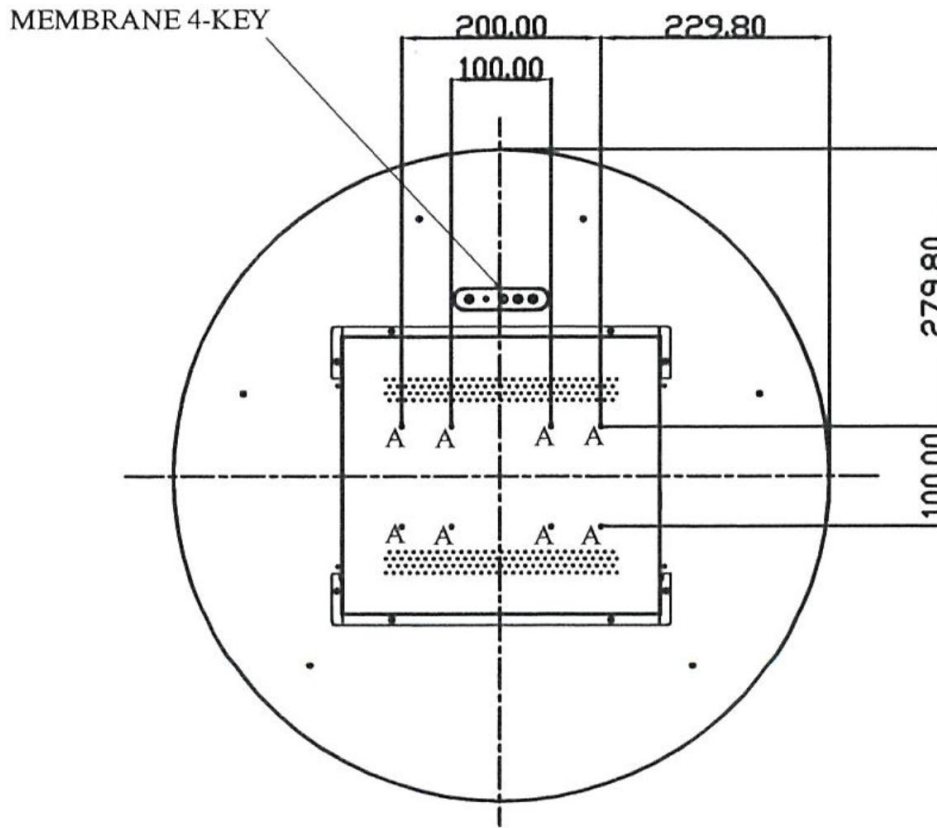


### Outline Dimensions

Unit:mm







Note :  
 O.D : Outline Dimension  
 B.O : Bezel Opening  
 A.A : LCD Active Area  
 A:8-M4\_USER\_HOLE\_MAX\_DEPTH=8mm

### Ordering Information

Part Number	Description
SSD2368-CNB-T11	23.6",1600nits,1280x1280,LID on LCM,AD68862HP,RGB lighting,O/B,DC24V,V1
SSD2368-CNB-T12	23.6",1600nits,1280x1280,LID on LCM,AD68862HP,O/B,DC24V,V1

### Optional Accessories

Part Number	Description
840613141200	ADAPTER,AC/DC,24V/7.5A,180W.FSP180-AAAN3,Power Din,P
810618301010	CABLE,POWER,AC,1830mm USA type
810618301090	CABLE,POWER,AC,1830mm Europe type
810618301050	CABLE,POWER,AC,1830mm UK type
810618301170	CABLE,POWER,AC,1830mm Australia type
810618301031	CABLE,POWER,AC,1830mm Japan type

### Customer request

Touch	PCT (Multi-Touch)
Glass	Tempered glass, AR coating.....

