



## DLD0848-T 8.4" TFT LCD, 1600 nits LED Backlight, 1024x768

The DLD0848-T is a 8.4 inch industrial grade sunlight readable LCD, with high brightness 1600 nits, it produces sharp images, crisp text and lifelike colors. The Durapixel LED backlight technology ensures high reliability and low power consumption, suitable for outdoor application, kiosk, factory automation, military, transportation and gaming application.

### Key Features

- High Brightness 1600 nits
- Sunlight Readable
- Wide Viewing Angle: 176°(H),176°(V)
- LED Backlight
- Low Power Consumption
- Wide Temperature (-30 °C ~ 80 °C)
- BL MTBF: 100,000 hours



### Specifications

<b>Model Name</b>	<b>DLD0848-T</b>
<b>Description</b>	8.4" TFT LCD, 1600 nits LED Backlight, 1024x768
<b>Screen Size</b>	8.4"
<b>Display Area (mm)</b>	170.496(H) x 127.872(V)
<b>Brightness</b>	1600 cd/m <sup>2</sup>
<b>Resolution</b>	1024x768
<b>Aspect Ratio</b>	4 : 3
<b>Contrast Ratio</b>	1400 : 1
<b>Pixel Pitch (mm)</b>	0.1665(H) x 0.1665(V)
<b>Pixel Per Inch (PPI)</b>	152
<b>Viewing Angle</b>	176°(H),176°(V)
<b>Color Saturation (NTSC)</b>	81%
<b>Display Colors</b>	16.7M
<b>Response Time (Typical)</b>	25ms
<b>Panel Interface</b>	LVDS
<b>Input Interface</b>	VGA, DVI-D, HDMI
<b>Input Power</b>	DC12V
<b>Power Consumption</b>	8.1W
<b>OSD Key</b>	4 Keys (Power Switch, Menu, +, -)
<b>OSD Control</b>	Brightness, Color, Contrast, Auto Turing, H/V Position...etc
<b>Dimensions (mm)</b>	204.7 x 154.2 x 46.3 mm
<b>Bezel Size(U/B/L/R)</b>	13.4/12.9/17.1/17.1 mm
<b>Weight (Net)</b>	1.05kg
<b>Mounting</b>	75x75
<b>Operating Temperature</b>	-30 °C ~ 80 °C
<b>Storage Temperature</b>	-40 °C ~ 90 °C

DLD= Panel + LED Driving Board + AD Control Board + Housing

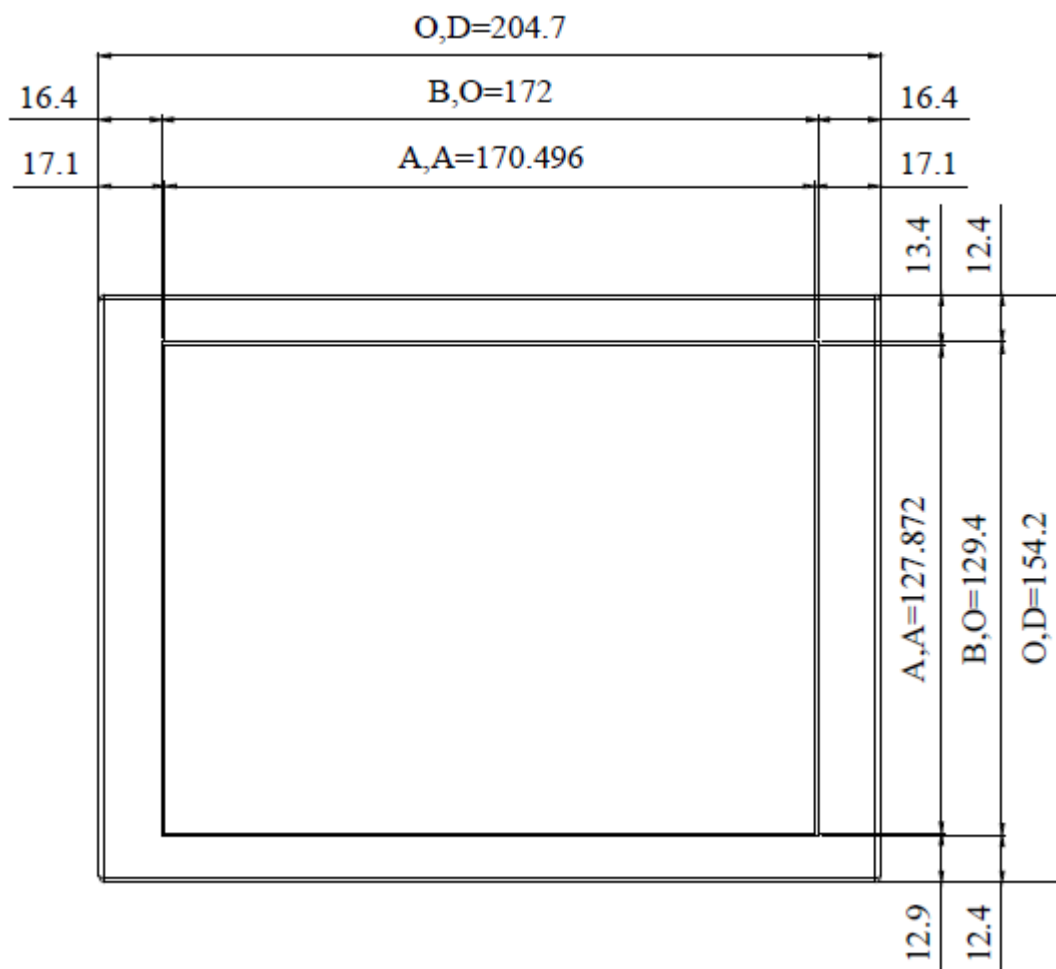
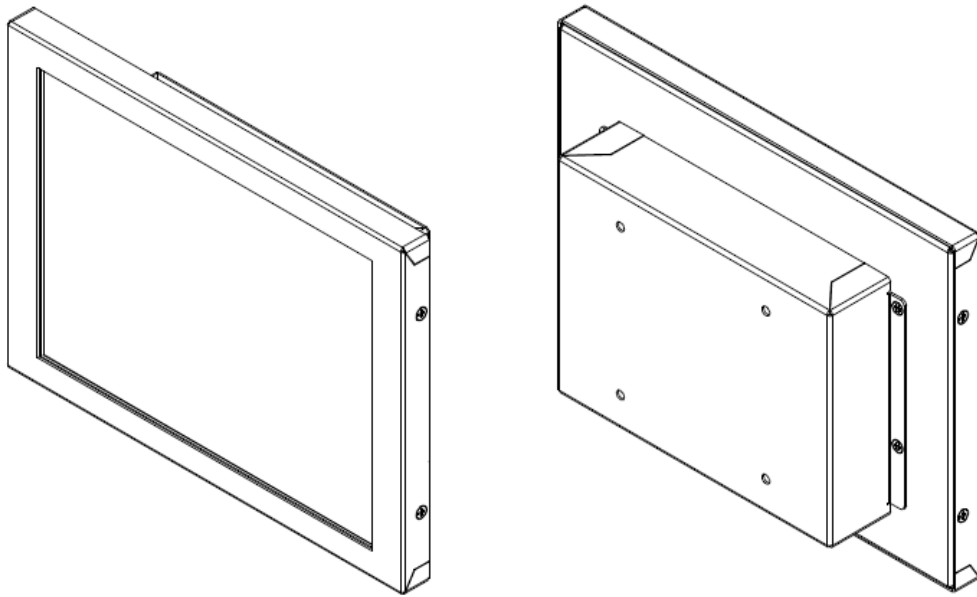
*Specifications are subject to change without notice.  
All brands or product names are trademarks or registered trademarks of their respective companies.*

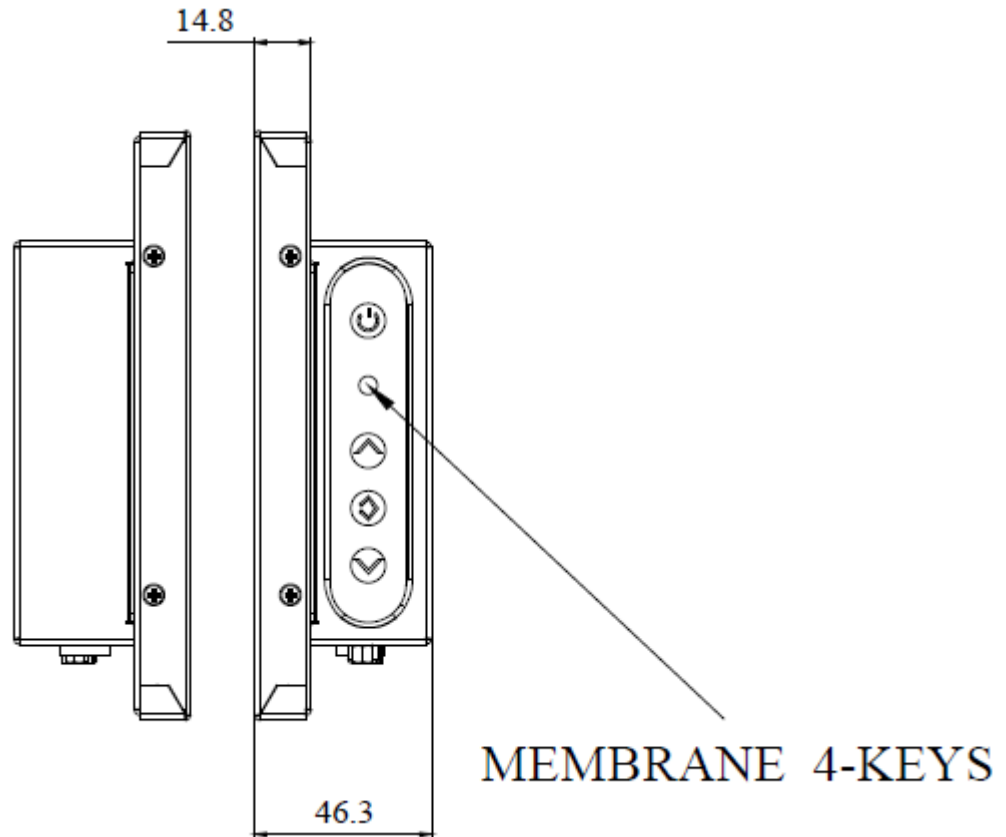
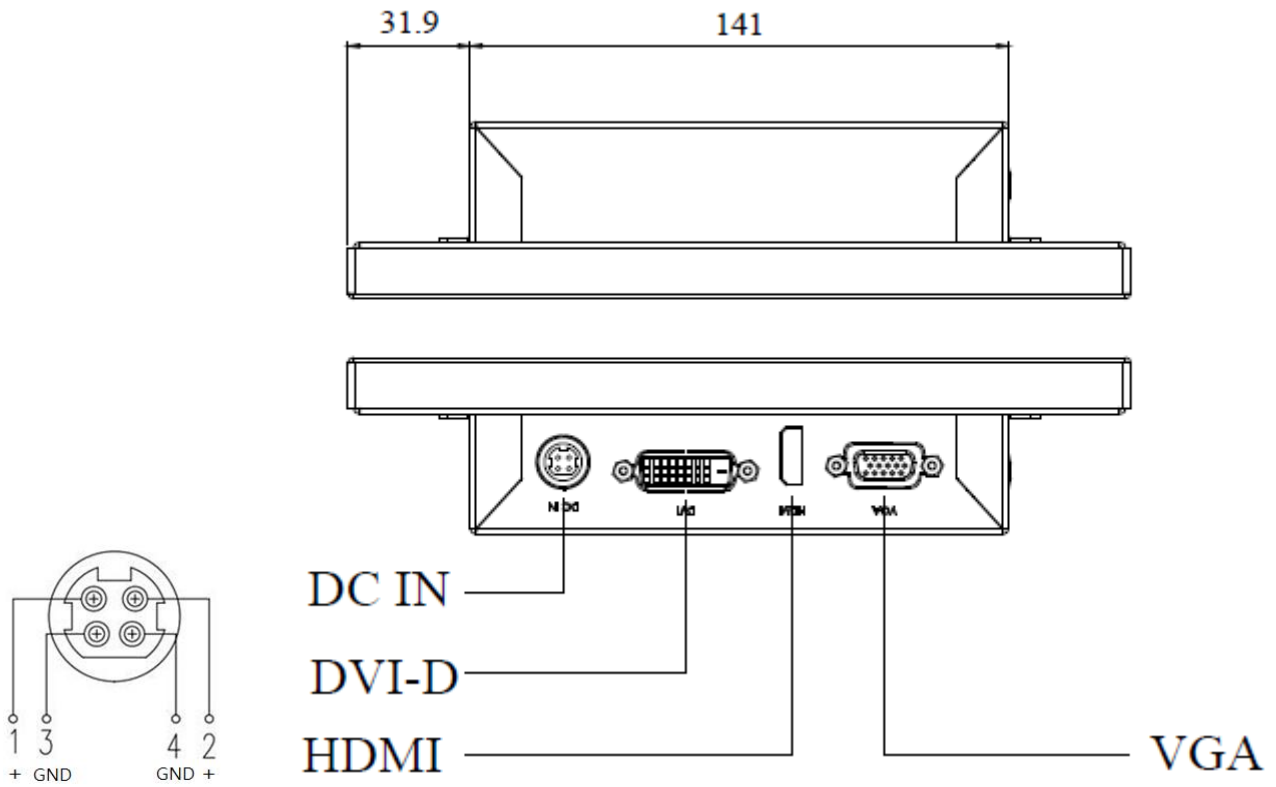


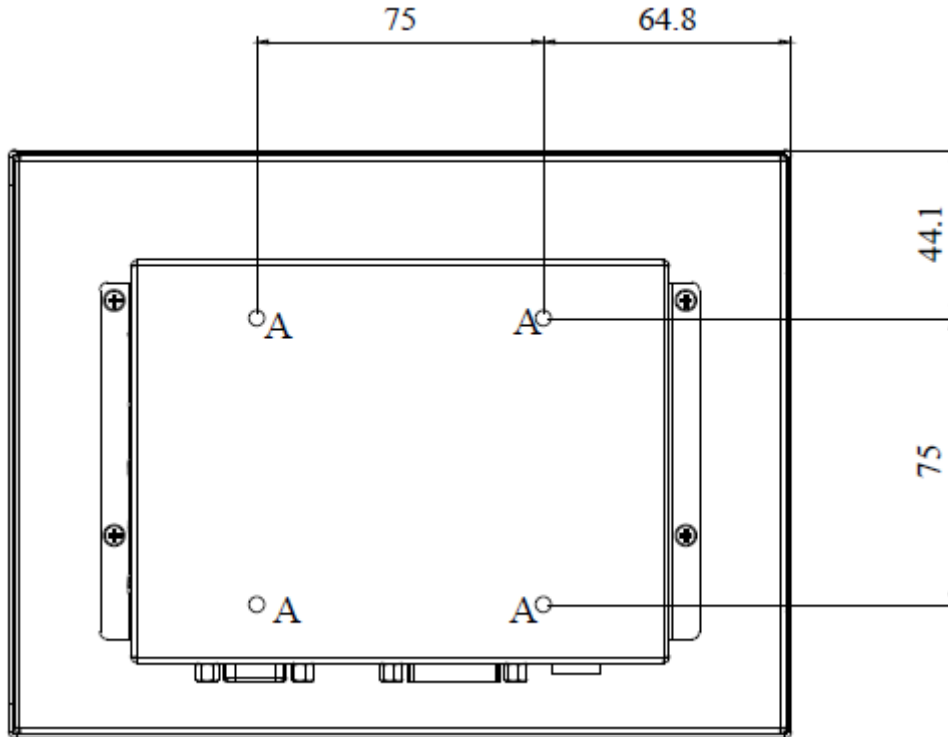
## Mechanical Drawing

### Outline Dimensions

Unit: mm







**NOTE :**

O.D. : OUTLINE DIMENSION

B.O. : BEZEL OPENING

A.A. : LCD ACTIVE AREA

A : 4-M4\_USER HOLE\_MAX Depth=4mm

**Ordering Information**

Part Number	Description
DLD0848-TNB-Q11	8.4",1600nits,1024x768,T3080,LID08C,AD8891GDH,O/B,DC12V,5in1,V1

**Optional Accessories**

Part Number	Description
810618301010	CABLE,POWER,AC,1830mm USA type
810618301090	CABLE,POWER,AC,1830mm Europe type
810618301050	CABLE,POWER,AC,1830mm UK type
810618301170	CABLE,POWER,AC,1830mm Australia type
810618301031	CABLE,POWER,AC,1830mm Japan type

**Customer request**

Touch	SCT (Single-Touch), PCT (Multi-Touch)
Glass	Tempered glass, AR coating.....