



DLD3201-B 32" TFT LCD, 3000nits LED Backlight, 1920x1080

The DLD3201-B is 32 inch industrial grade sunlight readable LCD, with high brightness 3000 nits, it produces sharp images, crisp text and lifelike colors. The Durapixel LED backlight technology ensures high reliability and low power consumption, suitable for outdoor application, kiosk, digital signage in retail stores, conference rooms, broadcast studios, public information.

Key Features

- High brightness 3000nits
- Sunlight Readable
- LED Backlight
- Wide Viewing Angle of 178°(H), 178°(V)
- Wide Operation Temperature (-20~60°C)
- LCD Blacking Defect Free (H-Tni 105 °C)
- Low Power Consumption
- BL MTBF: 100,000 hours



Specifications

Model Name	DLD3201-B
Description	32" TFT LCD, 3000nits LED Backlight, 1920x1080
Screen Size	32"
Display Area (mm)	698.40(H) x 392.85(V)
Brightness	3000 cd/m ²
Resolution	1920x1080
Aspect Ratio	16 : 9
Contrast Ratio	1300 : 1
Pixel Pitch (mm)	0.36375(H) x 0.36375(V)
Pixel Per Inch (PPI)	69
Viewing Angle	178°(H),178°(V)
Color Saturation (NTSC)	82%
Display Colors	16.7M
Response Time (Typical)	8ms
Panel Interface	LVDS
Input Interface	VGA, DVI-D, HDMI
Input Power	AC100~240V
Power Consumption	116W
OSD Key	4 Keys (Power Switch, Menu, +, -)
OSD Control	Brightness, Color, Contrast, Auto Turing, H/V Position...etc
Dimensions (mm)	735.8 x 430.3 x 92.2
Bezel Size(U/B/L/R)	18.7/18.7/18.7/18.7 mm
Weight (Net)	13.5kg
Mounting	400x100
Operating Temperature	-20 °C ~ 60 °C
Storage Temperature	-20 °C ~ 70 °C

[DLD= Panel + LED Driving Board + AD Control Board + Housing](#)

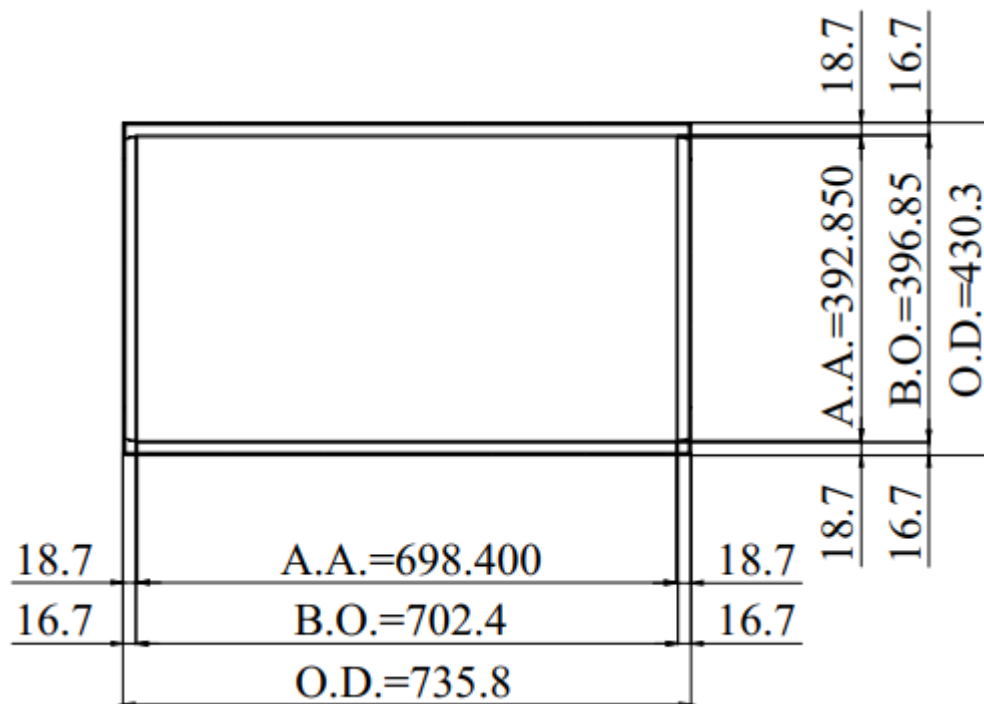
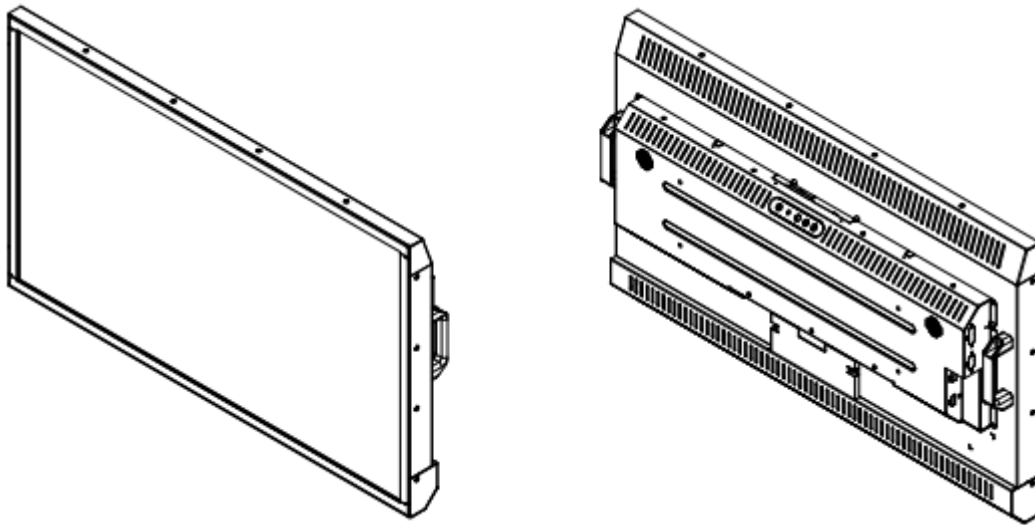
Specifications are subject to change without notice.
All brands or product names are trademarks or registered trademarks of their respective companies.

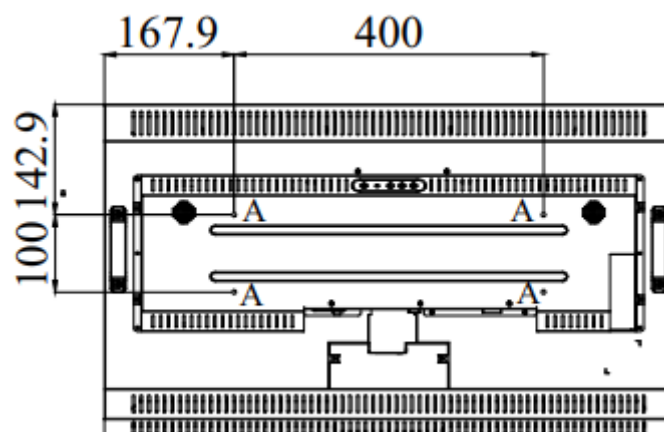
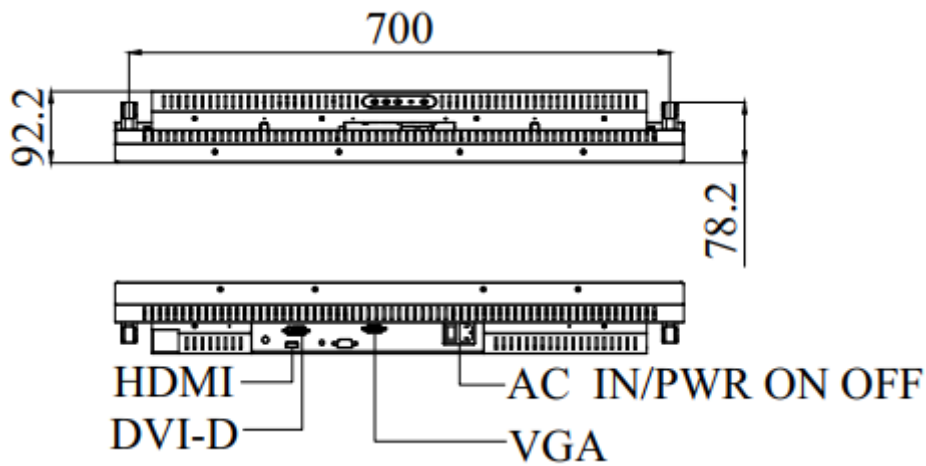
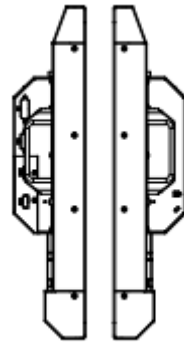


Mechanical Drawing

Outline Dimensions

Unit:mm





NOTE :

O.D. : OUTLINE DIMENSION

B.O. : BEZEL OPENING

A.A. : LCD ACTIVE AREA

A : 4-M6_USER HOLE_MAX. DEPTH=6 mm



Ordering Information

Part Number	Description
DLD3201-BNB-Q11	32", 3000nits, 1920x1080, T2060, HTni, LID32A, AD8891G-DH, O/B, AC100~240V, 2in1, V1

Optional Accessories

Part Number	Description
810618301010	CABLE, POWER, AC, 1830mm USA type
810618301090	CABLE, POWER, AC, 1830mm Europe type
810618301050	CABLE, POWER, AC, 1830mm UK type
810618301170	CABLE, POWER, AC, 1830mm Australia type
810618301031	CABLE, POWER, AC, 1830mm Japan type

Customer request

Touch	PCT (Multi-Touch)
Glass	Tempered glass, AR coating.....