

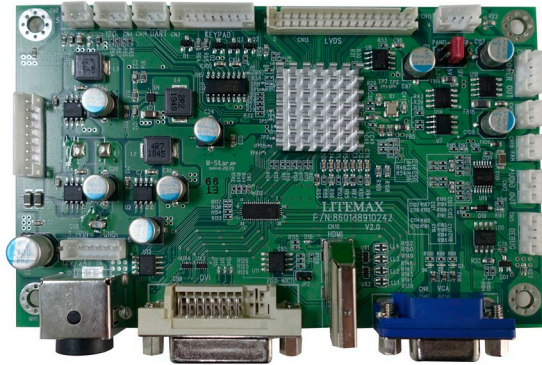
## AD8891GDH

### Display Control Board, WUXGA

AD8891GDH is a high integrated display controller solution for producing real time, top quality digital video and computer graphic images on LCD panel. The AD8891GDH provides an ideal interface between industry standard digital graphics controllers and a wide variety of LCD panel devices. It has a VGA, DVI-D and HDMI input.

#### Key Features

- Max Resolution Up To Full HD
- Analog RGB Input up to 205MHz
- ULTRA-RELIABLE DVI-D Input
- HDMI Input (HDMI1.3)
- Dual/Single LVDS interface
- Support Panel DC 3.3V/5V/12V Output
- OSD Control
- PWM/DC Dimming Control for Backlight Driver
- External RS232 control (Optional)
- Input Power DC 24V or 12V (Optional)
- Audio Out (Optional)
- \*External Digital Light Sensor Brightness Control (Optional)
- \*External Light Sensor Brightness Control (Optional)
- Support Output Voltage 12V(1A) and 5V(1A)



#### Specifications

V1

Model No.	AD8891GDH
Max. Resolution	WUXGA (1920X1200)
Interface	Dual/Single LVDS
Input Power	DC 12V/24V (Optional)
Panel Power Selection	3.3V, 5V,12V
Video Input	VGA, DVI-D, HDMI
Light Sensor	Yes (Optional)
RS232 Control Port	Yes (Optional)
IR	Yes (Optional)
External VR Control	Yes (Optional)
Board Dimension	130 x 80 mm
F / R Control Button	<input type="checkbox"/> 4 Key
<input type="checkbox"/> 4 Key	Power Switch, Menu, Select (+,-)
OSD Menu	Brightness, Color, Contrast, Auto Turing, H/V Position...etc
Operating Temperature	-30 °C ~ 85 °C
Storage Temperature	-30 °C ~ 85 °C

Specifications are subject to change without notice.

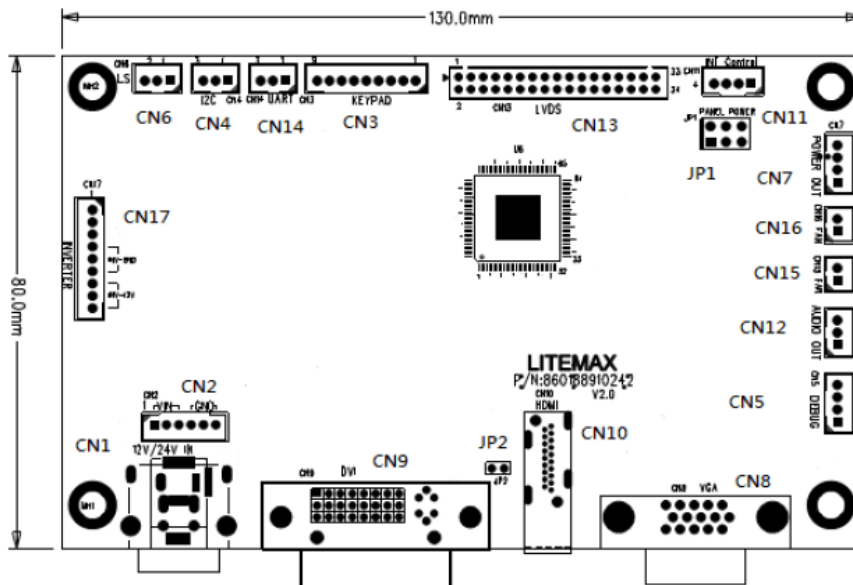
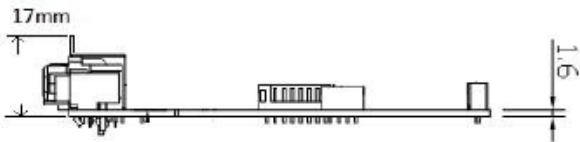
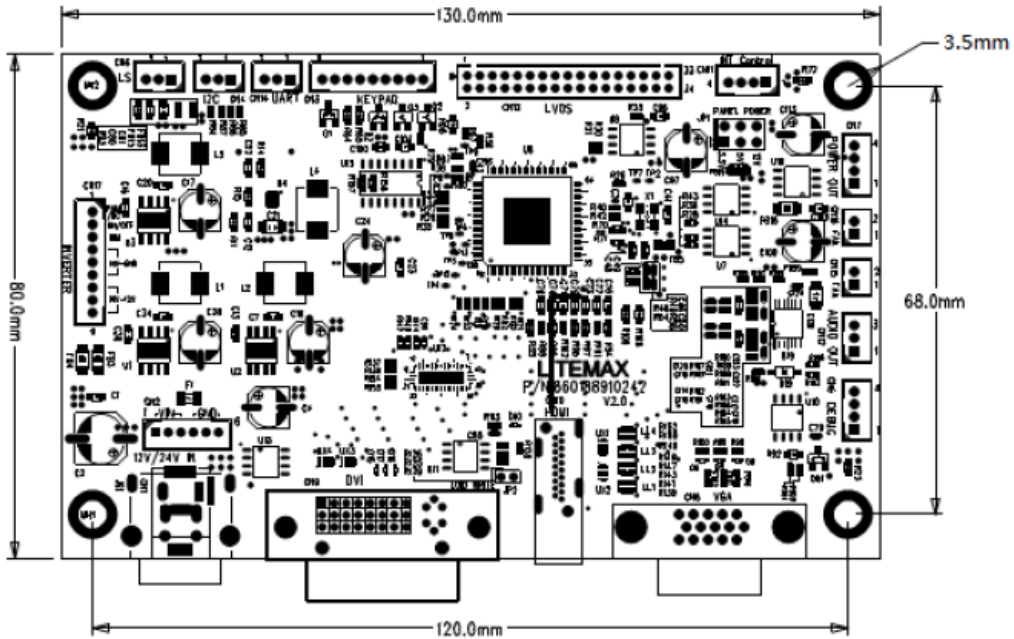
All brands or product names are trademarks or registered trademarks of their respective companies.



Outline Dimensions

Unit:mm

AD8891GDH 130mmx80mm





### Ordering Information

Part Number	Description
890188911200	PCBA,AD,AD8891GDH,V2.0,24VIN,POWER DIN,PWM&DC,ADJ,W/O LID,P
890188911201	PCBA,AD,AD8891GDH,V2.0,12VIN,POWER DIN,PWM&DC,ADJ,W/O LID,P

### Optional Accessories

Part Number	Description
800807604000	CABLE,OTHER,LS,760mm,26AWG,2.0mm 2P,LS3505-HC4,SA-57S A&B,BLE-L-308-N,AD2662, R
800805504000	CABLE,OTHER,DLS,550mm.26AWG,1.25mm 5P TO 2.0mm 2P/3P,R