



## ULO2703-IHT 27" TFT LCD, 500 nits LED Backlight, 1920x1080

The ULO2703-IHT is a 27 inch industrial grade and projected capacitive touch LCD, with brightness 500 nits, it produce sharp images, crisp text and lifelike colors. The Ubipixel LED backlight technology ensures high reliability and low power consumption, suitable for kiosk, factory automation, military, transportation and gaming application.

### Key Features

- Projected capacitive touch
- Brightness 500 nits
- LED Backlight
- Low Power Consumption
- BL MTBF: 50,000 hours



### Specifications

|                                |  |
|--------------------------------|--|
| <b>Model Name</b>              | <b>ULO2703-IHT</b>   |
| <b>Description</b>             | 27" TFT LCD, 500 nits LED Backlight, 1920x1080, Projected Capacitive Touch |
| <b>Screen Size</b>             | 27"  |
| <b>Display Area (mm)</b>       | 597.888 (H) x 336.312 (V)  |
| <b>Brightness</b>              | 500 cd/m <sup>2</sup>  |
| <b>Resolution</b>              | 1920x1080  |
| <b>Aspect Ratio</b>            | 16 : 9   |
| <b>Contrast Ratio</b>          | 1400 : 1   |
| <b>Pixel Pitch (mm)</b>        | 0.3114 (H) x 0.3114 (V)  |
| <b>Pixel Per Inch (PPI)</b>    | 82   |
| <b>Viewing Angle</b>           | 176°(H),176°(V)  |
| <b>Color Saturation (NTSC)</b> | 69%  |
| <b>Display Colors</b>          | 16.7M  |
| <b>Response Time (Typical)</b> | 14ms   |
| <b>Panel Interface</b>         | LVDS   |
| <b>Input Interface</b>         | HDMI, DP   |
| <b>Touch Interface</b>         | USB  |
| <b>Input Power</b>             | DC12V  |
| <b>Power Consumption</b>       | 25W  |
| <b>OSD Key</b>                 | 4 Keys (Power Switch, Menu, +, -)  |
| <b>OSD Control</b>             | Brightness, Color, Contrast, Auto Turing, H/V Position...etc               |
| <b>Dimensions (mm)</b>         | 649 x 387.5 x 53 mm  |
| <b>Bezel Size(U/B/L/R)</b>     | 25.6/25.6/25.6/25.6 mm   |
| <b>Mounting</b>                | 100 x 100 mm , 300 x 200 mm  |
| <b>Weight (Net)</b>            | 9.1 Kg   |
| <b>Operating Temperature</b>   | 0 °C ~ 50 °C   |
| <b>Storage Temperature</b>     | -20 °C ~ 60 °C   |

ULO= Panel + LED Driving Board + AD Control Board + Housing + PCT Touch

Specifications are subject to change without notice.

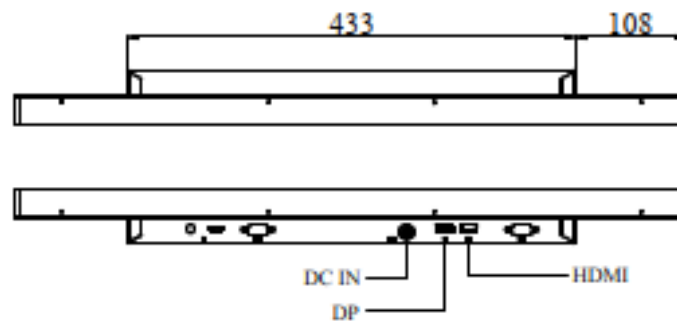
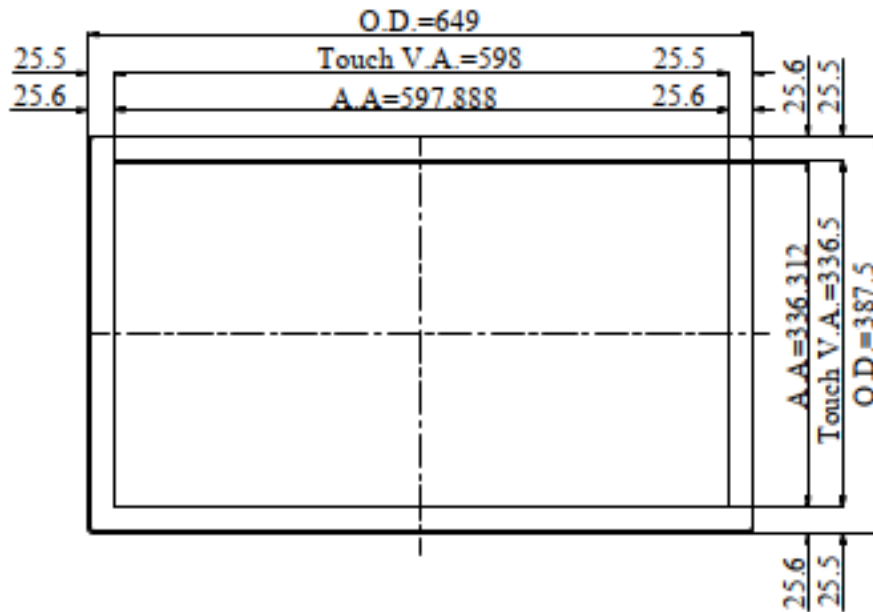
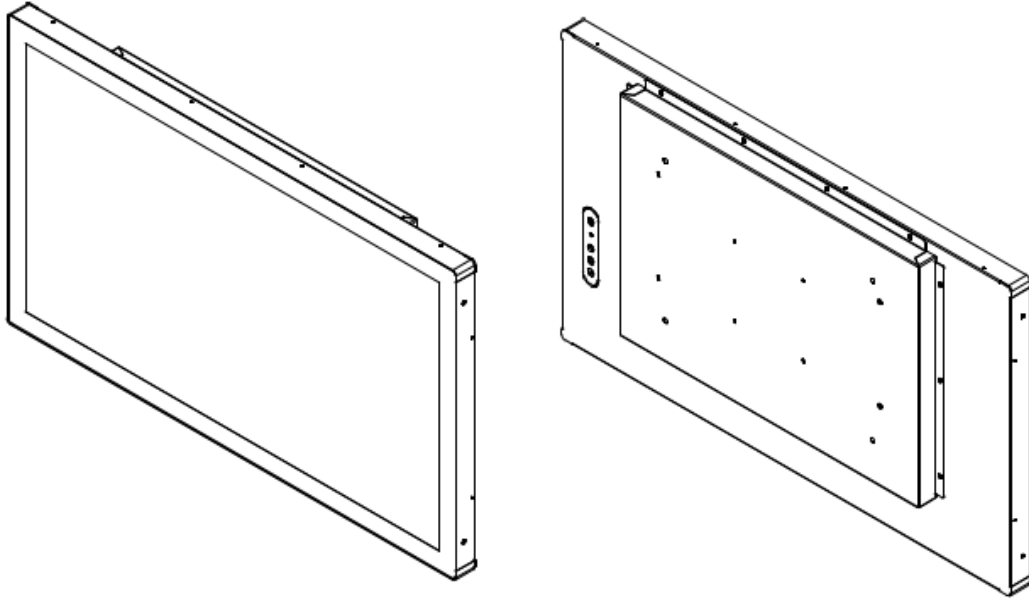


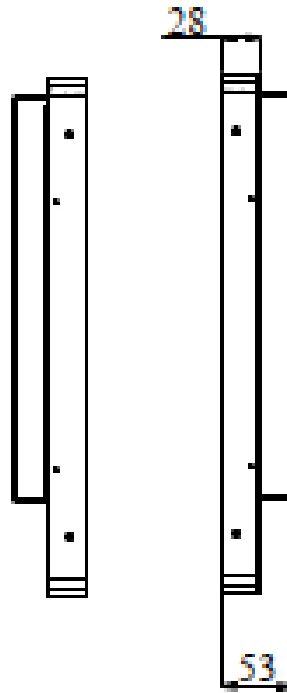
All brands or product names are trademarks or registered trademarks of their respective companies.

## Mechanical Drawing

### Outline Dimensions

Unit: mm





**NOTE :**

O.D. : OUTLINE DIMENSION

B.O. : BEZEL OPENING

A.A. : LCD ACTIVE AREA

A : 4-M6\_USER HOLE\_MAX Depth=8mm

B : 4-M4\_USER HOLE\_MAX Depth=4mm

**Ordering Information**

| Part Number     | Description  |
|-----------------|--|
| ULO2703-IHT-T11 | 27",500nits,1920x1080,T/MT-PCT-USB(T=90%),LID on LCM.AD68862HP,O/B,DC12V,3in1,V1 |

**Optional Accessories**

| Part Number  | Description   |
|--------------|---|
| 840612051212 | ADAPTER,AC/DC,12V/5A,60W.Power-Din-4P,CWT.G99-ABF060F-N022.Efficiency-level-6,R |
| 941238611001 | MSF,ULO,2386,PANEL BRACKET*2,SCREW*6  |
| 810618301010 | CABLE,POWER,AC,1830mm USA type  |
| 810618301090 | CABLE,POWER,AC,1830mm Europe type   |
| 810618301050 | CABLE,POWER,AC,1830mm UK type   |
| 810618301170 | CABLE,POWER,AC,1830mm Australia type  |
| 810618301031 | CABLE,POWER,AC,1830mm Japan type  |

**Customer request**

|       |                                 |
|-------|---------------------------------|
| Glass | Tempered glass, AR coating..... |
|-------|---------------------------------|