



## SSD2705-B

### 27" TFT LCD, 1000 nits LED Backlight, 1920x1080, MaxRGB, Triangle Display

The SSD2705-B is a 27 inch color TFT-LCD display with special Triangular Display and resolution 1920 x 1080. It is Litemax's Spanixel series product which designed for high brightness 1000 nits with power efficiency LED backlight. It provides LCD panel with specific Triangular Display and sunlight readable for digital signage, public transportation, exhibition hall, department store, and vending machine.

#### Key Features

- Triangle Display
- Brightness 1000 nits
- High Color Saturation 91%
- Viewing Angle of 178°(H), 178°(V)
- LED Backlight
- Low Power Consumption
- BL MTBF: 100,000 hours



### Specifications

| Model Name               | SSD2705-B                                                                |
|--------------------------|--------------------------------------------------------------------------|
| Description              | 27" TFT LCD, 1000nits LED Backlight, 1920x1080, MaxRGB, Triangle Display |
| Screen Size              | 27"                                                                      |
| Display Area (mm)        | 578.39(H) x 333.93(V)                                                    |
| Brightness (Typical)     | 1000 cd/m <sup>2</sup>                                                   |
| Resolution               | 1920x1080                                                                |
| Aspect Ratio             | 16 : 9                                                                   |
| Contrast Ratio (Typical) | 960:1                                                                    |
| Pixel Pitch (mm)         | 0.3114(H) x 0.3114 (V)                                                   |
| Pixel Pre Inch (PPI)     | 82                                                                       |
| Viewing Angle            | 178°(H),178°(V)                                                          |
| Color Saturation (NTSC)  | 91%                                                                      |
| Display Colors           | 16.7M                                                                    |
| Response Time (Typical)  | 14ms                                                                     |
| Panel Interface          | LVDS                                                                     |
| Input Interface          | HDMI, DP                                                                 |
| Input Power              | DC12V                                                                    |
| Power Consumption        | 29W                                                                      |
| OSD Key                  | 4 Keys (Power Switch, Menu, +, -)                                        |
| OSD Control              | Brightness, Color, Contrast, Auto Turing, H/V Position...etc             |
| Dimensions (mm)          | 644.7 x 375 x 45.6                                                       |
| Bezel Size(U/B/L)        | 15.86/15.84/15.85                                                        |
| Mounting                 | 100x100 mm                                                               |
| Weight (Net)             | 2.7 kg                                                                   |
| Operating Temperature    | 0 °C ~ 50 °C                                                             |
| Storage Temperature      | -20 °C ~ 60 °C                                                           |

SSD= Panel + LED Driving Board + AD Control Board + Classis

*Specifications are subject to change without notice.*

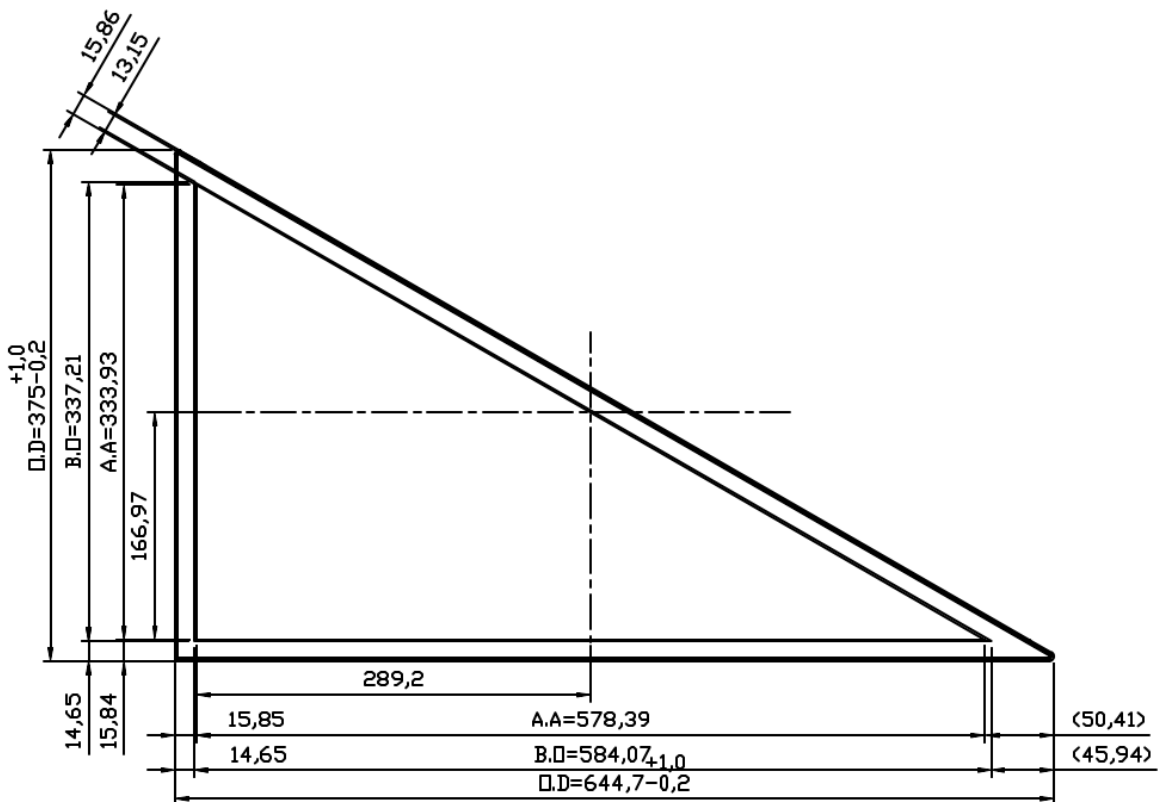
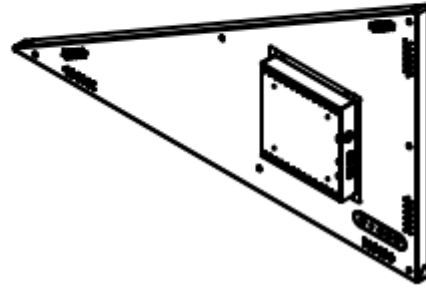
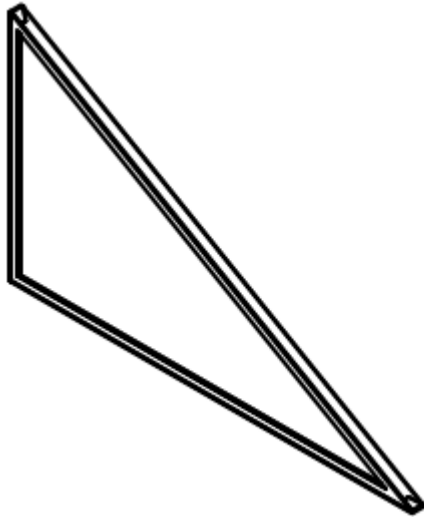
*All brands or product names are trademarks or registered trademarks of their respective companies.*

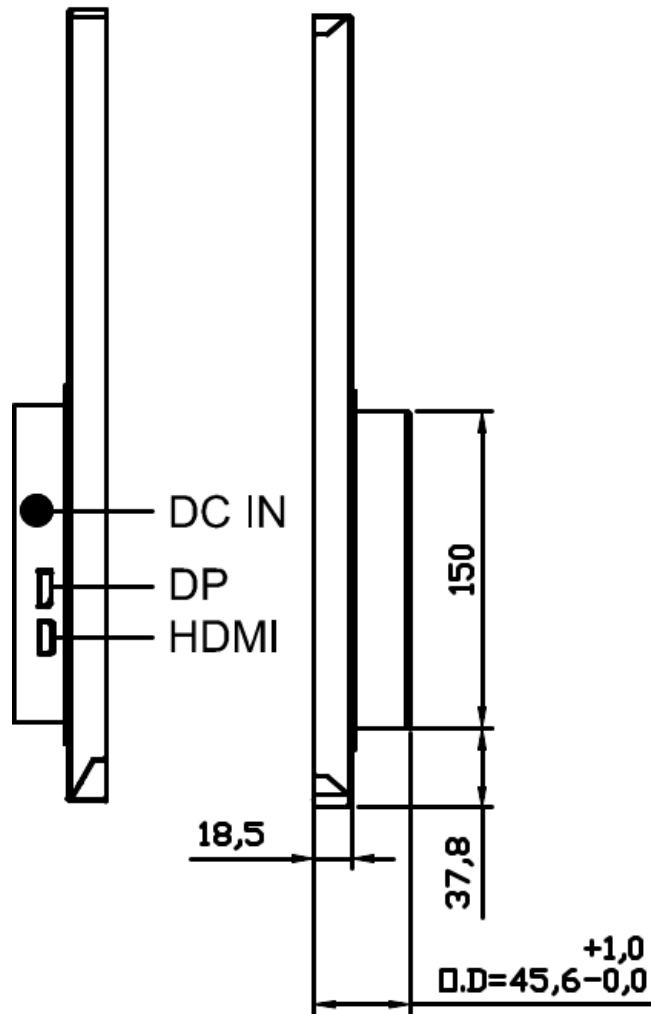
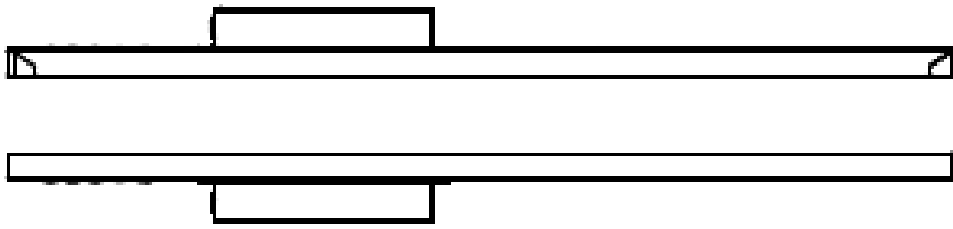


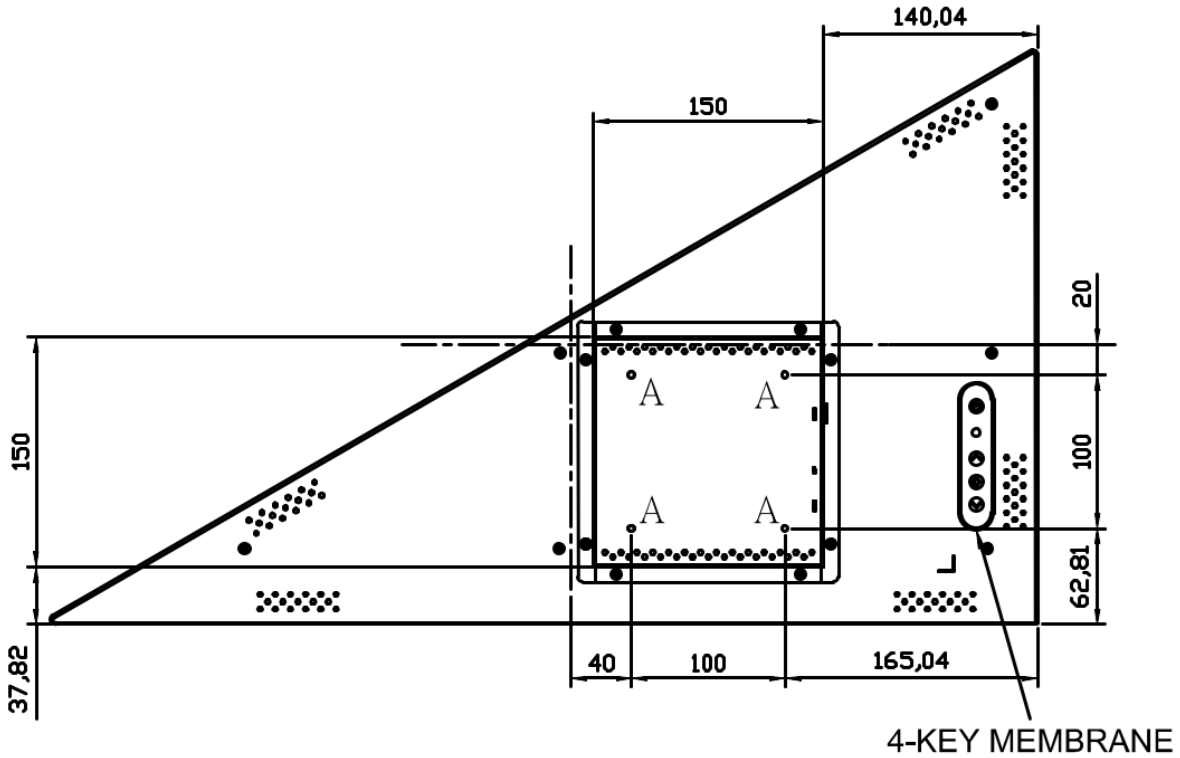
## Mechanical Drawing

Outline Dimensions

Unit:mm







Note :  
 O.D : Outline Dimension  
 B.O : Bezel Opening  
 A.A : LCD Active Area  
 A:4-M4\_USER\_HOLE\_MAX\_DEPTH=6mm

### Ordering Information

| Part Number     | Description                                                          |
|-----------------|----------------------------------------------------------------------|
| SSD2705-BNW-T11 | 27",1000nits,1920x1080,MaxRGB,Triangle,LID27C,AD68862HP,O/B,DC12V,V1 |

### Optional Accessories

| Part Number  | Description                          |
|--------------|--------------------------------------|
| 810618301010 | CABLE,POWER,AC,1830mm USA type       |
| 810618301090 | CABLE,POWER,AC,1830mm Europe type    |
| 810618301050 | CABLE,POWER,AC,1830mm UK type        |
| 810618301170 | CABLE,POWER,AC,1830mm Australia type |
| 810618301031 | CABLE,POWER,AC,1830mm Japan type     |

### Customer request

|       |                                 |
|-------|---------------------------------|
| Touch | PCT (Multi-Touch)               |
| Glass | Tempered glass, AR coating..... |
|       |                                 |