



SSD5856-Y

58.5" TFT LCD, 1200 nits LED Backlight, 3840x1080 ultra wide aspect ratio 16:4.5

The SSD5856-Y is a 58.5 inch color TFT-LCD display with special aspect ratio 16:4.5 and wide resolution 3840 x 1080. It is Litemax's Spanixel series product which designed for high brightness 1200 nits with power efficiency LED backlight. It provides LCD panel with specific aspect ratios and sunlight readable for digital signage, public transportation, exhibition hall, department store, and vending machine.

Key Features

- Ultra Wide Screen 16:4.5
- High Brightness 1200 nits
- Sunlight Readable
- LED Backlight
- Low Power Consumption
- BL MTBF: 100,000 hours



Specifications

Model Name	SSD5856-Y
Description	58.5" TFT LCD, 1200nits LED Backlight, 3840x1080
Screen Size	58.5"
Display Area (mm)	1428.48(H) x 401.76(V)
Brightness	1200 cd/m ²
Resolution	3840x1080
Aspect Ratio	16:4.5
Contrast Ratio	1400 : 1
Pixel Pitch (mm)	0.372(H) x 0.372(V)
Pixel Pre Inch (PPI)	68
Viewing Angle	178°(H),178°(V)
Color Saturation (NTSC)	84%
Display Colors	1.07G
Response Time (Typical)	8ms
Panel Interface	V-by-One
Input Interface	DVI-D, HDMI, DP
Input Power	DC24V
Power Consumption	106W
OSD Key	5 Keys (Power Switch, Menu, +, -,Exit)
OSD Control	Brightness, Color, Contrast, Auto Turing, H/V Position...etc
Dimensions (mm)	1467.3x 437.9x 67.7
Bezel Size(U/B/L/R)	18.07/18.07/19.41/19.41 mm
Mounting	500x150, 900x150
Weight (Net)	19.68Kg
Operating Temperature	0 °C ~ 50 °C
Storage Temperature	-20 °C ~ 60 °C

SSD= Panel + LED Driving Board + AD Control Board + Chassis

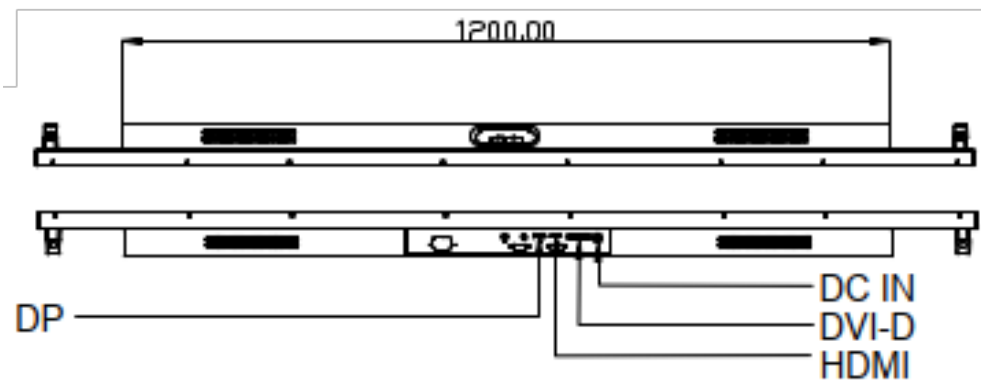
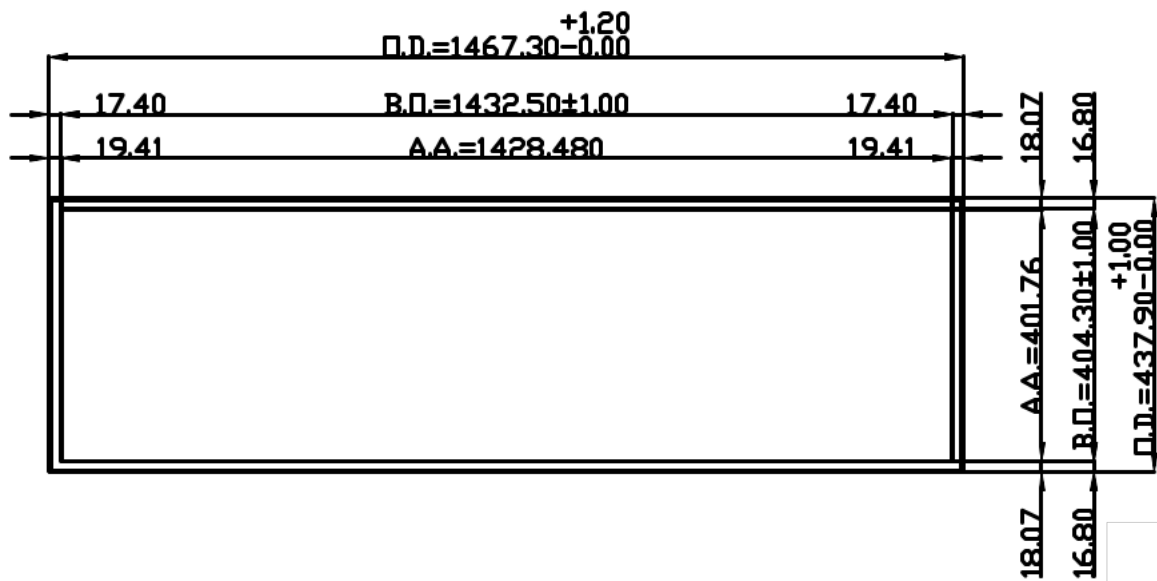
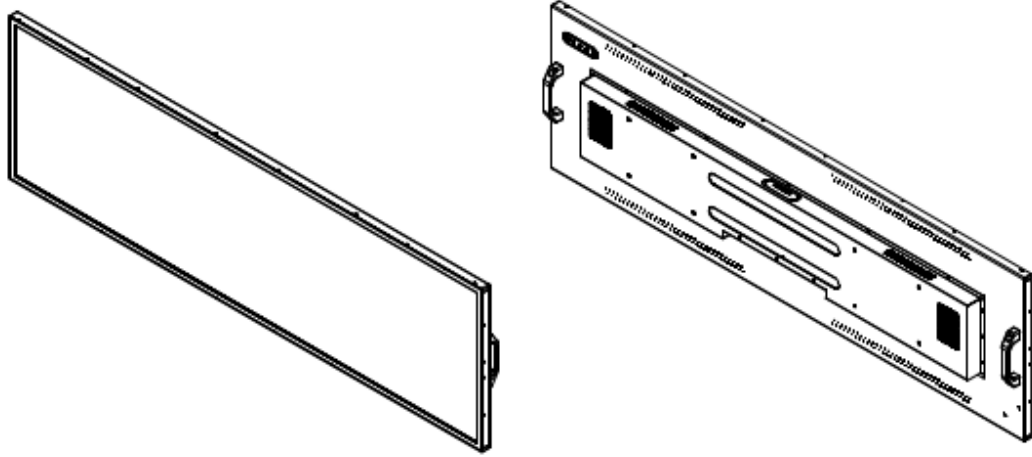
Specifications are subject to change without notice.
All brands or product names are trademarks or registered trademarks of their respective companies.

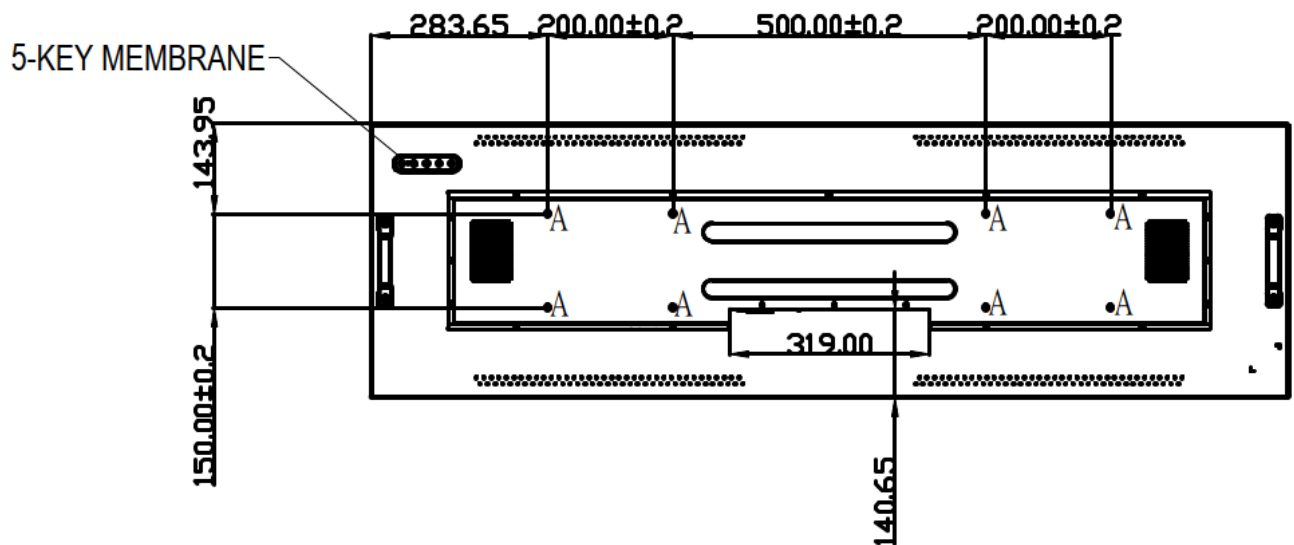
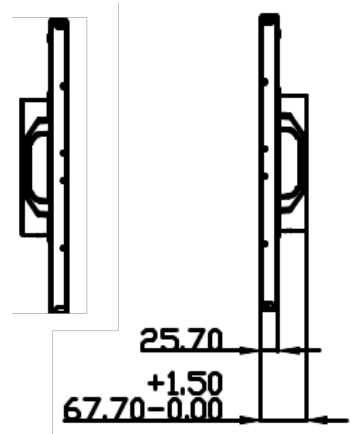


Mechanical Drawing

Outline Dimensions

Unit:mm





Note :

O.D. : OUTLINE DIMENSION

B.O. : BEZEL OPENING

A.A. : LCD ACTIVE AREA

A : 8-M8_USER HOLE_MAX Depth=15mm



Ordering Information

Part Number	Description
SSD5856-YNU-M11	58.5",1200nits,3840x1080,LID58C,AD9131DHP,O/B,DC24V,V1

Optional Accessories

Part Number	Description
840613141200	ADAPTER,AC/DC,24V/7.5A,180W.FSP180-AAAN3,Power Din,P"
810618301010	CABLE,POWER,AC,1830mm USA type
810618301090	CABLE,POWER,AC,1830mm Europe type
810618301050	CABLE,POWER,AC,1830mm UK type
810618301170	CABLE,POWER,AC,1830mm Australia type
810618301031	CABLE,POWER,AC,1830mm Japan type

Customer request

Touch	PCT (Multi-Touch)
Glass	Tempered glass, AR coating.....