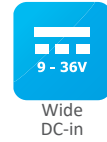


# IBOX-JSX0

AI computing platform based on NVIDIA® Jetson Xavier NX for AIoT edge computing applications



Wide DC-in



PoE ports



Fanless

AI Solutions



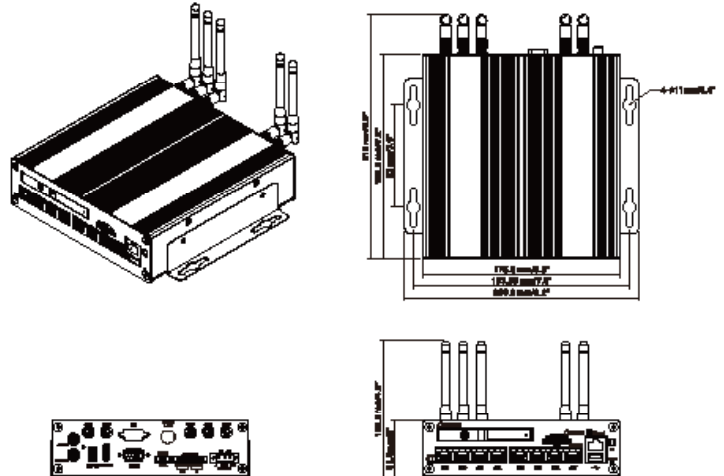
## Key Features

- NVIDIA® Jetson Xavier NX with Volta™ GPU architecture with 384 NVIDIA CUDA® cores
- High AI computing performance for GPU-accelerated processing
- Supports Ethernet x 9 ports (PoE x 8, GbE x 1)
- Supports ONVIF 2.0, 2MP IP camera up to 8 channels
- Wide operating temperature from -20°C to +65°C
- JetPack supported

## Product Specification

System color	Black
Mechanical	Aluminum extrusion and heavy-duty steel
CPU	6-core NVIDIA Carmel Arm® v8.2 64-bit CPU
GPU	NVIDIA Volta™ with 384 NVIDIA CUDA Cores
System Memory	LPDDR4 8GB-128bit on board
Flash	16Gb eMMC
Video Format	H.265/H.264
Video Input	IP Camera x 8 (Support POE)
Video Output	1 x HDMI 2.0 a/b maximum 3840 x 2160; 1 x VGA (Optional)
Resolution	4K@60fps; 2 x 4K@30fps; 8 x 1080p @30fps
Audio	RCA-in x1 / RCA-out x1
Recording Format	H.265/H.264
Recording resolution	4K@60fps; 2 x 4K@30fps; 8 x 1080p @30fps
Storage	1 x 2.5" SATA SSD
Ethernet	GbE port x1, PoE ports (10/100 MbE, total 75W)x 8
Alarm	Alarm Input /Output x 4
Front I/O	USB 2.0 x 1 GbE port x 1; PoE port x 8; 2.5" SSD bay x 1; SIM card slot x 1
Rear I/O	Audio input x 1, Audio output x 1 USB 3.0 x 1, RS-232 x 1, RS485 x 1 HDMI x 1
Expansion Slot	Mini PCIe x 2 (full-size x 1, half-size x 1)
Power supply	DC 9-36V (with ignition pin)
Operating temperature	-20°C ~ 65°C
Storage temperature	-20°C ~ 85°C
Relative humidity	95% @ 40°C (non-condensing)
Dimensions	156.6mm(W) x 183.3mm(D) x 50.5mm(H)
Weight	1.8 kg

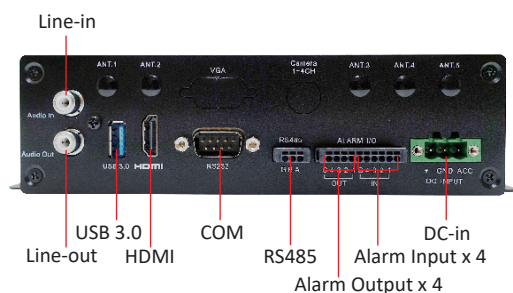
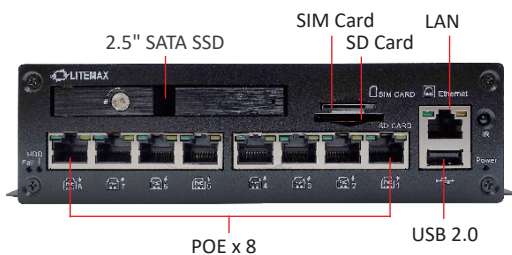
## Dimensions



## Ordering Information

Part Number	description
IBOX-JSX0-NX00-VNPO-0000	Fanless BOX PC, Carmel Arm® v8.2 64-bit CPU 6MB L2 + 4MB L3, HDMI, 8PoE, 2COM/2USB/1LAN, DC 9-36V

## Rear I/O



\*All specifications and photos are subject to change without prior notice