



TLD5500-L

55" Transparency OLED digital signage, 1920x1080, wide aspect ratio 16:9

TLD5500-L is an innovative market-leading transparency **OLED**, resolution **1920x1080**, self-emissive without backlight, high contrast ratio, and high color saturation. It is an innovative, both front and back sides are made by glass, and the air separation between it is strengthened OLED transparent. Combined with the connecting rods on both sides, can be fixed to the wall, ceiling or floor, allowing the space to be used more effectively. it provides transparency **OLED** panel with specific aspect ratios for digital signage, AI Interactive virtual, transparent window, exhibition hall, museums and boutiques.

Key Features

- Transparency OLED display
- High Color Saturation NTSC 90%
- High Contrast Ratio 15000 : 1
- Intel Celeron SoC Processor
2.0GHz/2.6GHz
- 32GB DDR4 SDRAM
- PCAP Multi-Touch
- Camera & Noise-Cancelling Microphone
- Speaker 10Wx2



Specifications

Model Name	TLD5500-L
Description	55" Transparency OLED, 1920x1080
Screen Size	55"
Display Area (mm)	1209.68(H) x 687.54(V)
Brightness	Normal 150 cd/m ² and Peak 400 cd/m ²
Resolution	1920x1080
Aspect Ratio	16:9
Contrast Ratio	150000: 1
Pixel Pitch (mm)	0.63(H) x 0.63(V)
Pixel Pre Inch (PPI)	40
Viewing Angle	120°(H),120°(V)
Color Saturation (NTSC)	90
Display Colors	1.07 Billion colors
Response Time (Typical)	G to G 0.1ms, MPRT 8ms
Panel Interface	V-by-One
Input Interface	HDMI, DP
Input Power	AC100~240V
Power Consumption	TBD
OSD Key	5 Keys (Power Switch, Menu, Select (+, -), Auto)
OSD Control	Brightness, Color, Contrast, Auto Turing, H/V Position...etc.
Dimensions (mm)	790.4x1500x110
Bezel Size(U/B/L/R)	223.4/55/55/55mm
Weight (Net)	TBD
Operating Temperature	0 °C ~ 45 °C
Storage Temperature	-20 °C ~ 60 °C

TLD= OLED Panel+ AD Control Board + Chassis

Specifications are subject to change without notice.

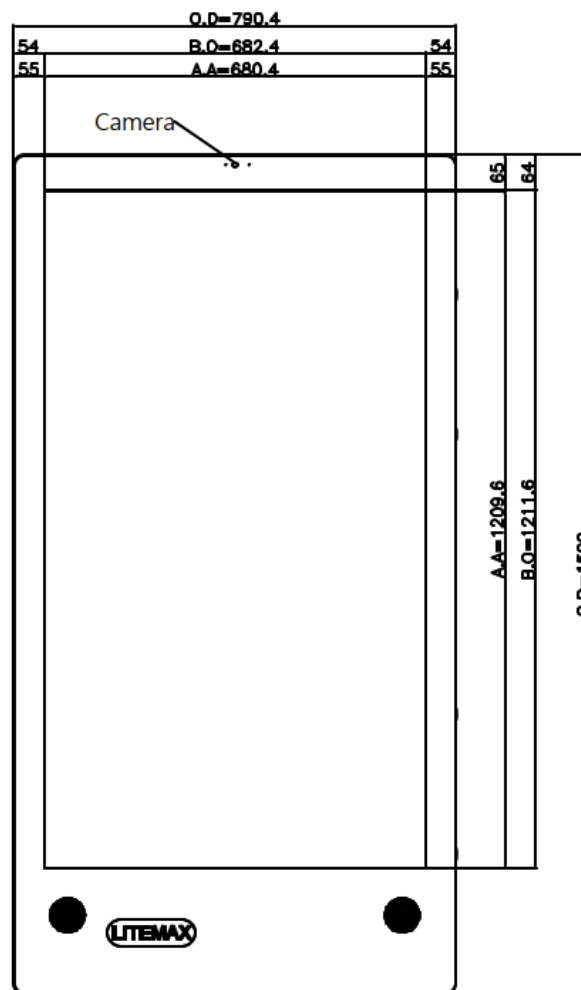
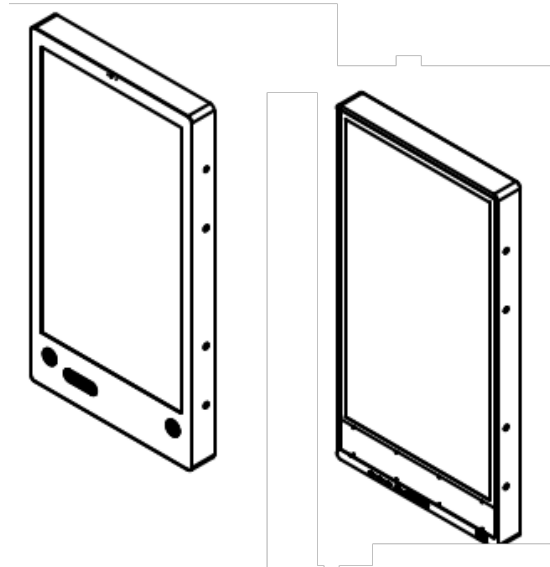
All brands or product names are trademarks or registered trademarks of their respective companies.

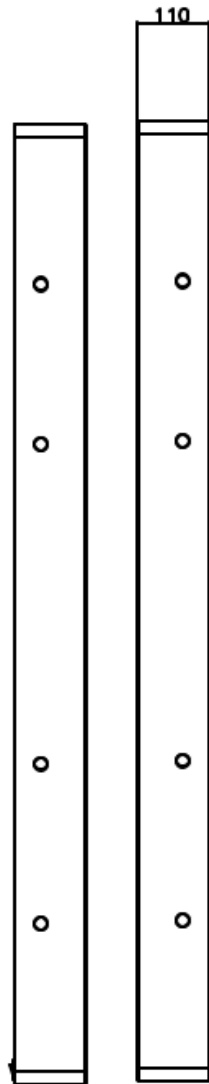
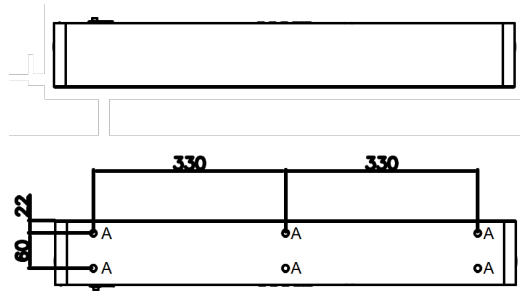


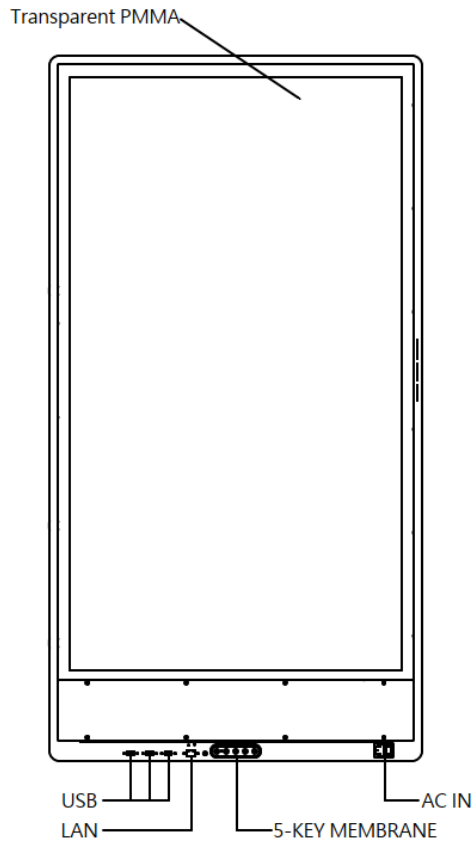
Mechanical Drawing

Outline Dimensions

Unit:mm







Note :
 O.D. : Outline Dimension
 B.O. : Bezel Opening
 A.A. : LCD Active Area
 A:6-M10 USER HOLE

Ordering Information

Part Number	Description
TLD5500-LTB-K11	55",150nits ,1920x1080,T/LIYI-PCAP-USB(T=85%),OLED,T45%,MT9630V1.0,O/B, Intel Celeron SoC Processor 2.0GHz/2.6GHz,32GB DDR4 SDRAM,Camera, Noise-Cancelling Microphone, Speaker 5W*2,AC100~240V,V1

Optional Accessories

Part Number	Description
810618301010	CABLE,POWER,AC,1830mm USA type
810618301090	CABLE,POWER,AC,1830mm Europe type
810618301050	CABLE,POWER,AC,1830mm UK type
810618301170	CABLE,POWER,AC,1830mm Australia type
810618301031	CABLE,POWER,AC,1830mm Japan type

Customer request

Glass	Tempered glass, AR coating.....
-------	---------------------------------