



DLF/DLH4901-L V1 49" TFT LCD, 3500 nits, LED backlight, FHD(1920x1080)

The DLF/DLH4901-L is a 49 inch industrial grade sunlight readable LCD, with high brightness 3500 nits and high color saturation, it produce sharp images, crisp text and lifelike colors. The Durapixel LED backlight technology ensures high reliability and low power consumption, suitable for outdoor application, kiosk, factory automation, military, transportation and gaming application.

Key Features

- High Brightness 3500 nits
- Sunlight Readable
- LED Backlight
- LCD Blacking Defect Free (Hi-Tni 110°C)
- BL MTBF: 100,000 hours



Specifications

Model Name	DLF/DLH4901-L V1
Description	49" TFT LCD, LED Backlight 3500 nits, FHD (1920x1080)
Screen Size	49"
Display Area (mm)	1073.8(H) x 604(V)
Brightness	3500 cd/m ²
Resolution	1920 x 1080
Aspect Ratio	16 : 9
Contrast Ratio	1400:1
Pixel Pitch (mm)	0.5593(H) x 0.5593(V)
Pixel Pre Inch (PPI)	45
Viewing Angle	178°(H),178°(V)
Color Saturation (NTSC)	79%
Display Colors	1.07G
Response Time (Typical)	8ms
Panel Interface	LVDS
AD Board Input Interface	VGA, DVI-D, DP
Input Power	AC 100~240V
Power Consumption	178W, 203W (with AD board)
OSD Key	4 Keys (Power Switch, Menu, +, -)
OSD Control	Brightness, Color, Contrast, Auto Turing, H/V Position...etc
Dimensions (mm)	1107.3 x 635.7 x 27.4
Bezel Size(U/B/L/R)	13.5/13.5/14.4/14.4 mm
Weight (Net)	15.5kg
Operating Temperature	0 °C ~ 50 °C
Storage Temperature	-20 °C ~ 60 °C

DLF= Panel+ LED Driving Board

DLH= Panel+ LED Driving Board + AD Control Board

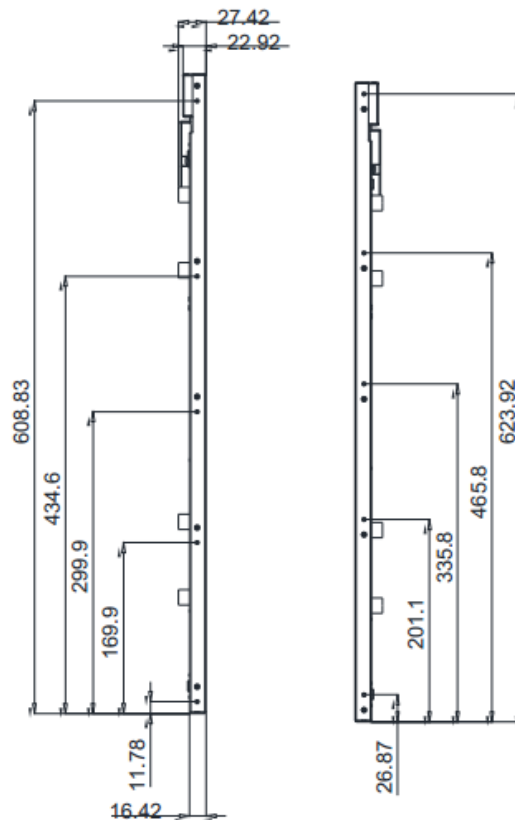
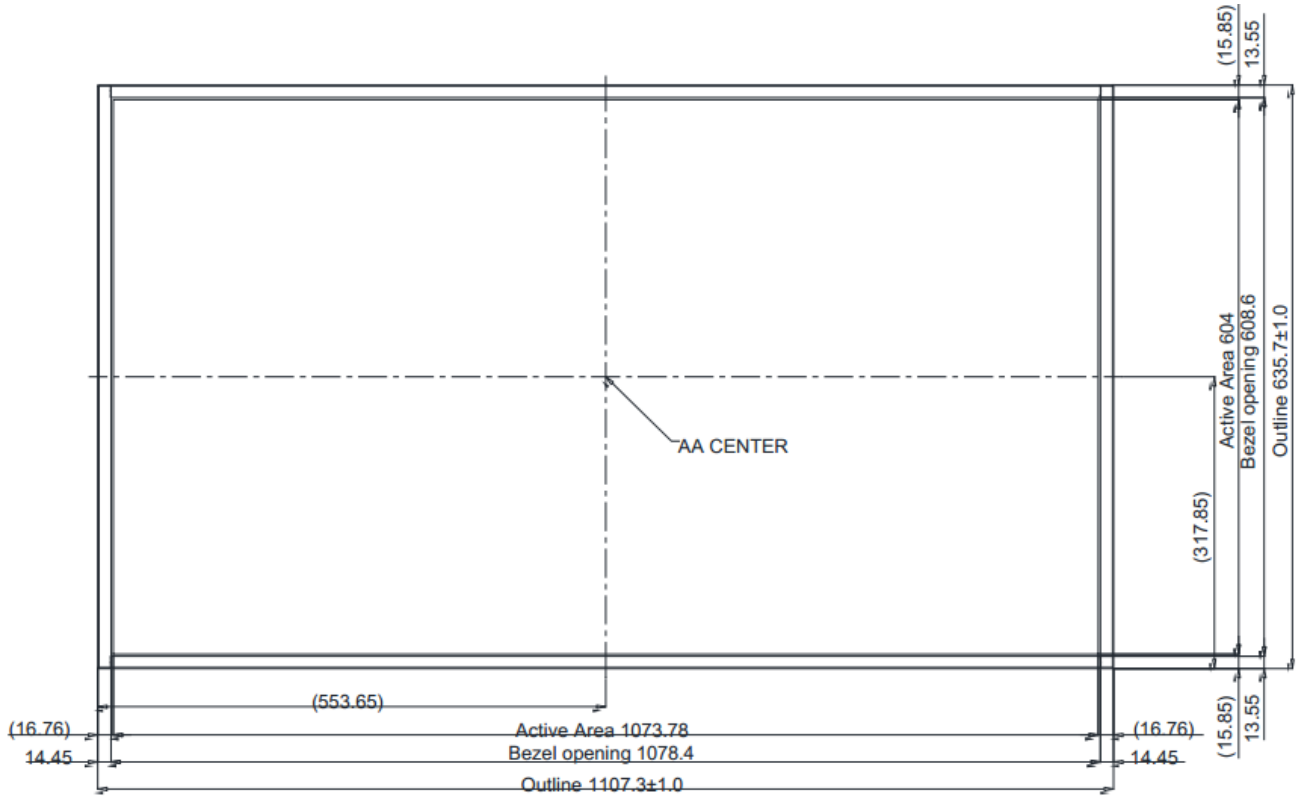
Specifications are subject to change without notice.
All brands or product names are trademarks or registered trademarks of their respective companies.

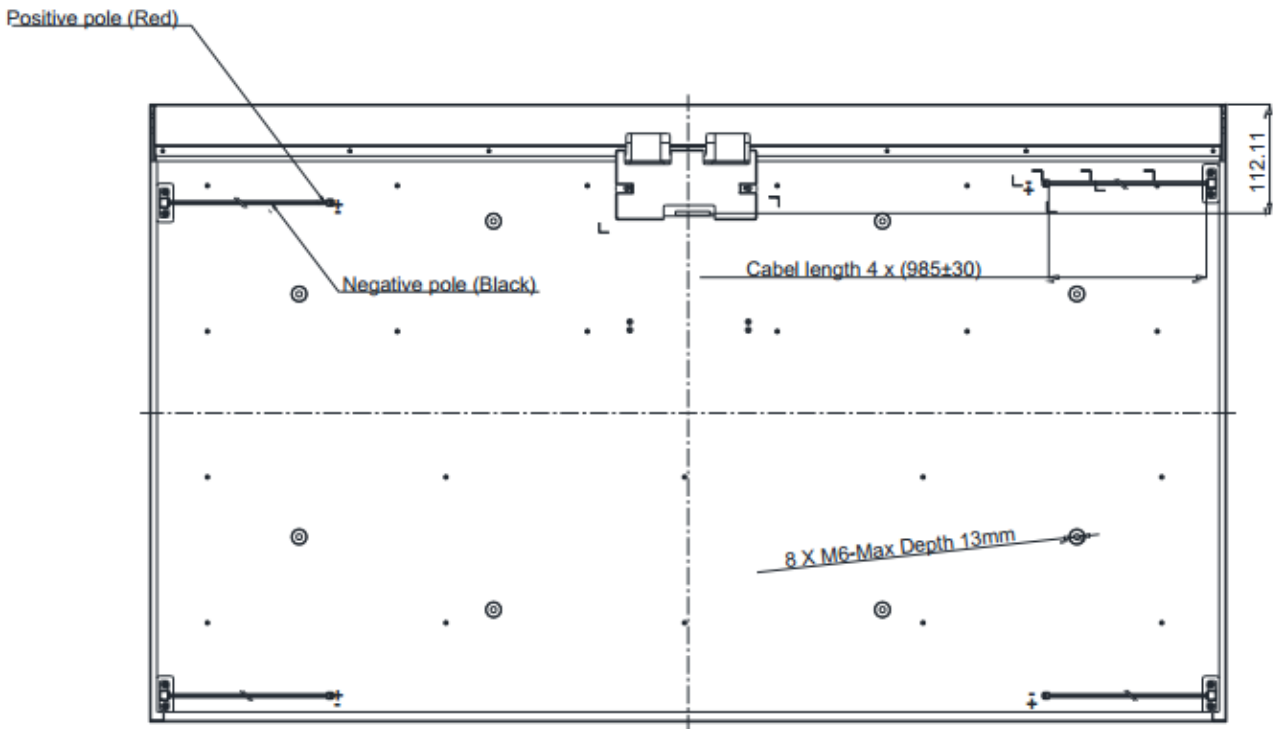
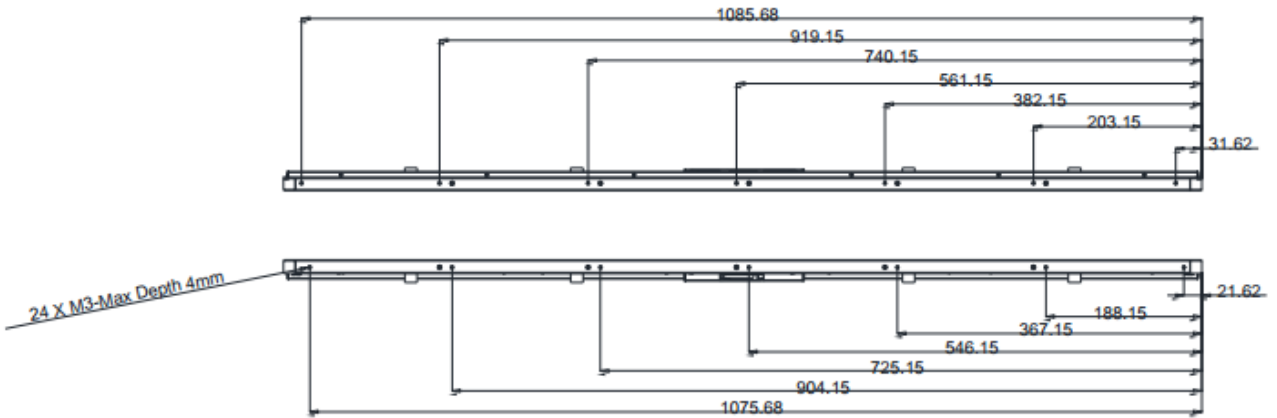


Mechanical Drawing

Outline Dimensions

Unit:mm





- Note :
1. Tolerance is $\pm 0.5\text{mm}$ unless noted.
 2. "()" marks the reference dimension.



Ordering Information

Part Number	Description
DLF4901-LNN-A01	49",3500nits,1920x1080,HTni,LID49A,3in1,V1
DLH4901-LNN-I01	49",3500nits,1920x1080,HTni,LID49A,AD6038GDP,AC100~240V,3in1,V1

Optional Accessories

Part Number	Description
810618301010	CABLE.POWER.AC.1830mm USA type
810618301090	CABLE,POWER,AC,1830mm Europe type
810618301050	CABLE.POWER.AC.1830mm UK type
810618301170	CABLE.POWER,AC,1830mm Australia type
810618301031	CABLE.POWER.AC.1830mm Japan type

Customer request

Touch	PCT (Multi-Touch)
Glass	Tempered glass, AR coating.....