



DLD5500-I 55" TFT LCD, 2500 nits LED Backlight, 3840x2160

The DLD5500-I is a 55 inch industrial grade sunlight readable LCD, with high brightness 2500 nits, it produces sharp images, crisp text and lifelike colors. The Durapixel LED backlight technology ensures high reliability and low power consumption, suitable for outdoor application, kiosk, factory automation, military, transportation and gaming application.

Key Features

- High brightness 2500nits
- Sunlight Readable
- Wide Operation Temperature (-30 °C ~70°C)
- LCD Blackening Defect Free (H-Tni 110 °C)
- Surface Treatment (Haze 25%)
- Low Power Consumption
- BL MTBF: 100,000 hours



Specifications

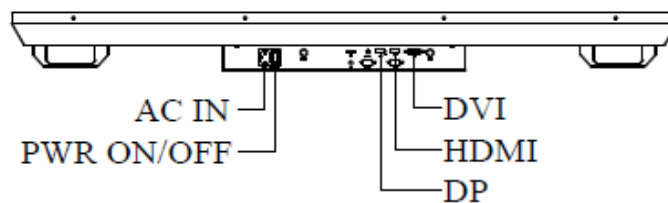
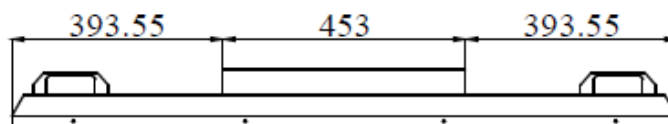
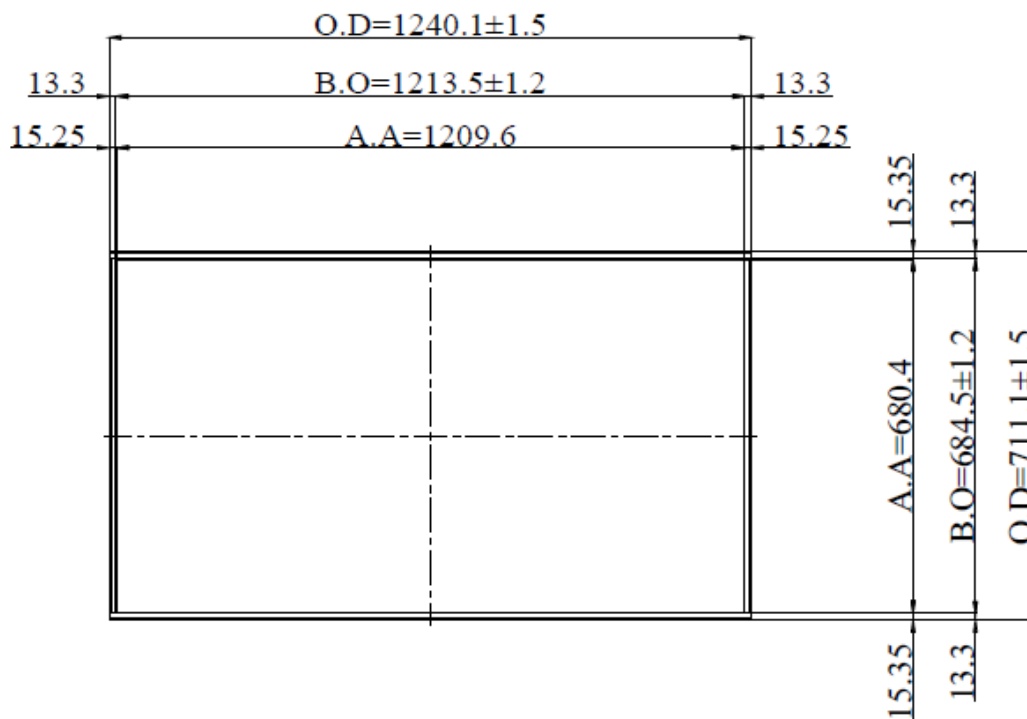
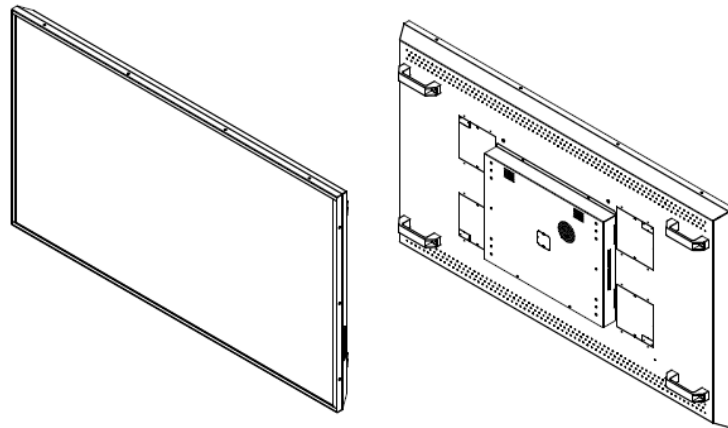
Model Name	DLD5500-I
Description	55" TFT LCD, 2500nits LED Backlight, 3840x2160
Screen Size	55"
Display Area (mm)	1209.6(H) x 680.4(V)
Brightness (Typical)	2500 cd/m ²
Resolution	3840x2160
Aspect Ratio	16:9
Contrast Ratio (Typical)	6000 : 1
Pixel Pitch (mm)	0.315(H) x 0.315 (V)
Pixel Pre Inch (PPI)	80
Viewing Angle	178°(H),178°(V)
Color Saturation (NTSC)	83%
Display Colors	1.07G
Response Time (Typical)	9.5ms
Panel Interface	V-by-one
Input Interface	DVI-I, HDMI, DP
Input Power	AC100~240V
Power Consumption	280W
OSD Key	5 Keys (Power Switch, Menu, +, -, Exit)
OSD Control	Brightness, Color, Contrast, Auto Turing, H/V Position...etc
Dimensions (mm)	1240.1 x 711.1 x 107.5 mm
Bezel Size(U/B/L/R)	15.35/15.35/15.25/15.25 mm
Mounting	400x200, 400x300
Weight (Net)	27 kg
Operating Temperature	-30 °C ~ 70 °C
Storage Temperature	-30 °C ~ 70 °C

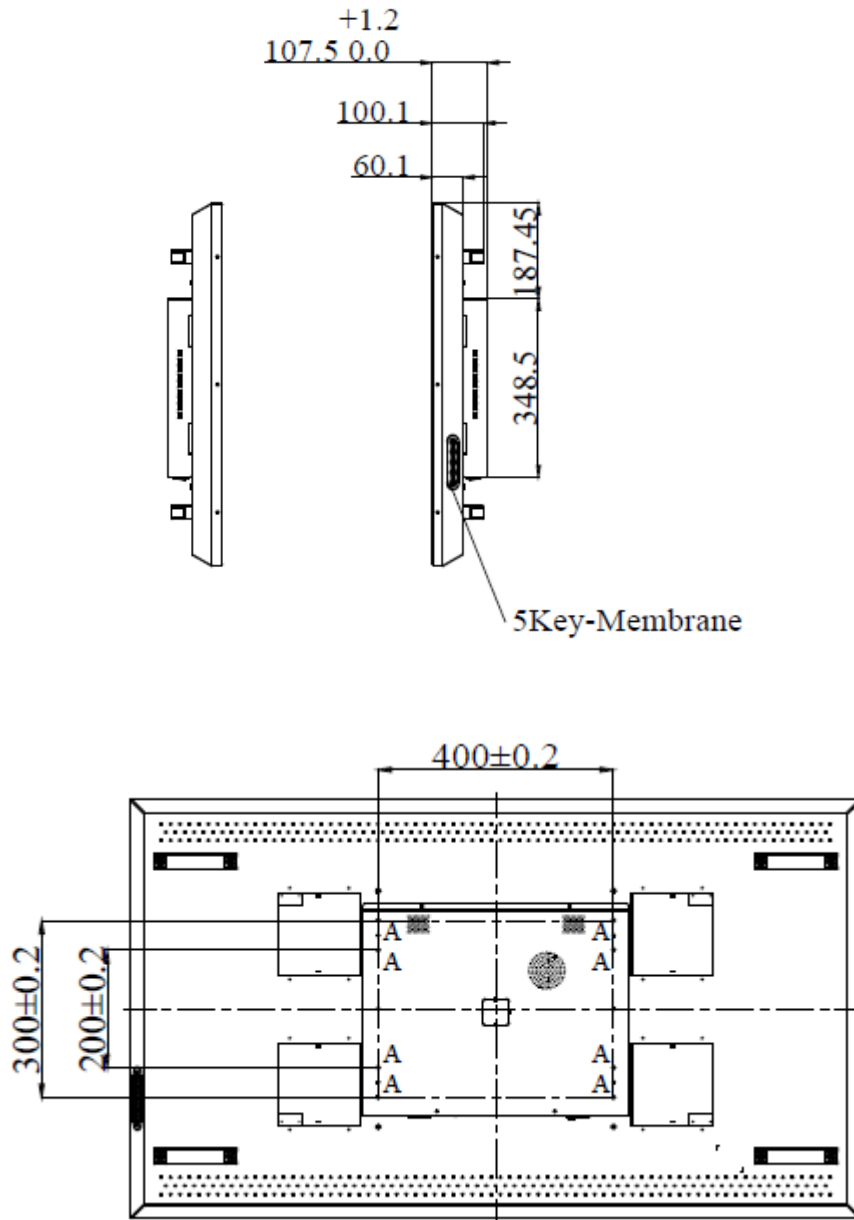
DLD= Panel + LED Driving Board + AD Control Board + Chassis

Specifications are subject to change without notice.
All brands or product names are trademarks or registered trademarks of their respective companies.



Mechanical Drawing





NOTE :

O.D. : OUTLINE DIMENSION

B.O. : BEZEL OPENING

A.A. : ACTIVE AREA

A:8-M6_USER HOLE_MAX Depth=12mm



Ordering Information

Part Number	Description
DLD5500-INU-M11	55",2500nits,3840x2160,T3070,HTni,Haze25%,LID55C,AD9131DHP,O/B,AC100~240V,V1

Optional Accessories

Part Number	Description
810618301010	CABLE,POWER,AC,1830mm USA type
810618301090	CABLE,POWER,AC,1830mm Europe type
810618301050	CABLE,POWER,AC,1830mm UK type
810618301170	CABLE,POWER,AC,1830mm Australia type
810618301031	CABLE,POWER,AC,1830mm Japan type

Customer request

Touch	PCT (Multi-Touch)
Glass	Tempered glass, AR coating.....