



DLD1216-I 12.1" TFT LCD, 1200 nits LED Backlight, 1280x800

The DLD1216-I is a 12.1 inch industrial grade sunlight readable LCD, with high brightness 1200 nits, it produces sharp images, crisp text and lifelike colors. The Durapixel LED backlight technology ensures high reliability and low power consumption, suitable for outdoor application, kiosk, factory automation, military, transportation and gaming application.

Key Features

- High brightness 1200 nits
- Sunlight readable
- Resolutions: 1280x800
- LED Backlight
- Aspect ratio of 16:10
- Wide temperature (-30°C ~ 80 °C)
- Low power consumption
- BL MTBF: 100,000 hours



Specifications

Model Name	DLD1216-I
Description	12.1" TFT LCD, LED Backlight 1200 nits, 1280x800
Screen Size	12.1"
Display Area (mm)	261.1(H) x 163.2(V)
Brightness (Typical)	1200 cd/m ²
Resolution	1280x800
Aspect Ratio	16 : 10
Contrast Ratio (Typical)	1000 : 1
Pixel Pitch (mm)	0.204(H) x 0.204(V)
Pixel Pre Inch (PPI)	125
Viewing Angle	170°(H),170°(V)
Color Saturation (NTSC)	83%
Display Colors	16.7M
Response Time (Typical)	20ms
Panel Interface	LVDS
Input Interface	HDMI,DP
Input Power	DC12V
Power Consumption	14.8W
OSD Key	4 Keys (Power Switch, Menu, +, -)
OSD Control	Brightness, Color, Contrast, Auto Turing, H/V Position...etc
Dimensions (mm)	283.2 x 189.2 x 47.4
Bezel Size(U/B/L/R)	13/13/11/11
Mounting	75 x 75 mm
Weight (Net)	1.7 kg
Operating Temperature	-30 °C ~ 80 °C
Storage Temperature	-30 °C ~ 85 °C

DLD= Panel + LED Driving Board + AD Control Board + Chassis

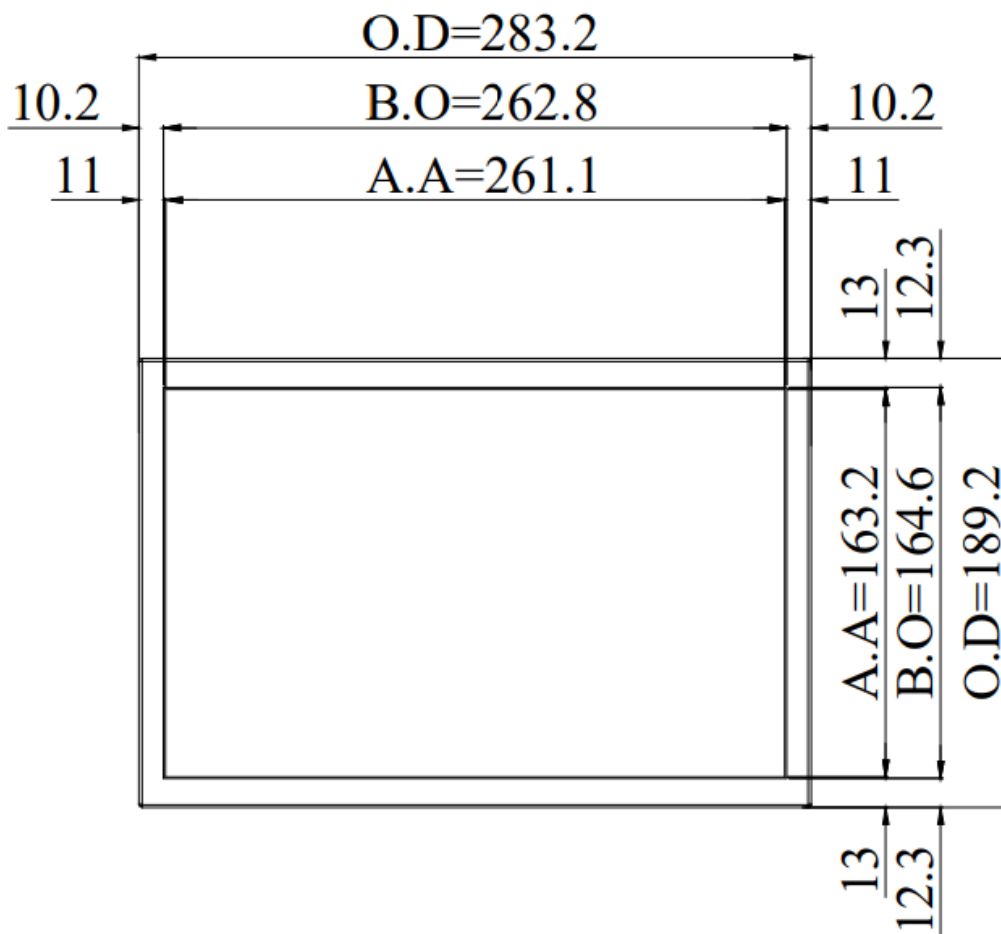
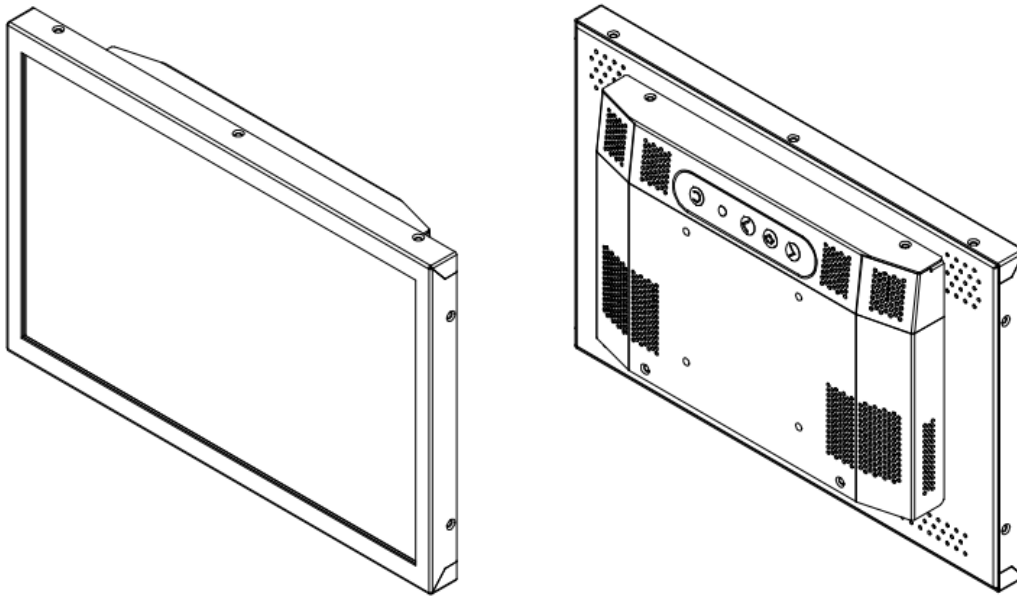
*Specifications are subject to change without notice.
All brands or product names are trademarks or registered trademarks of their respective companies.*

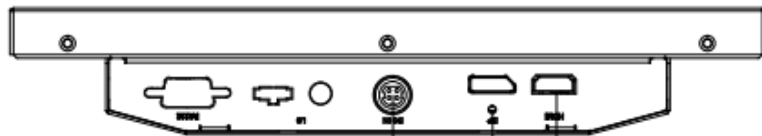
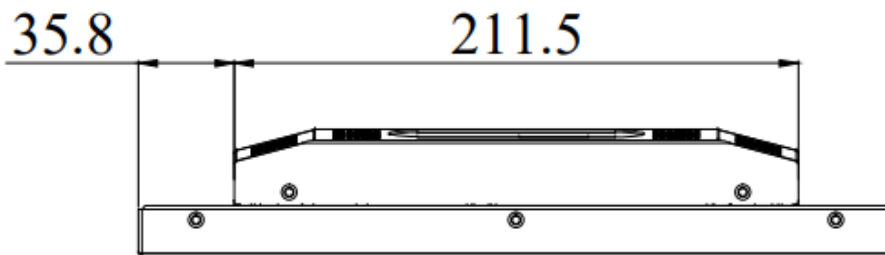
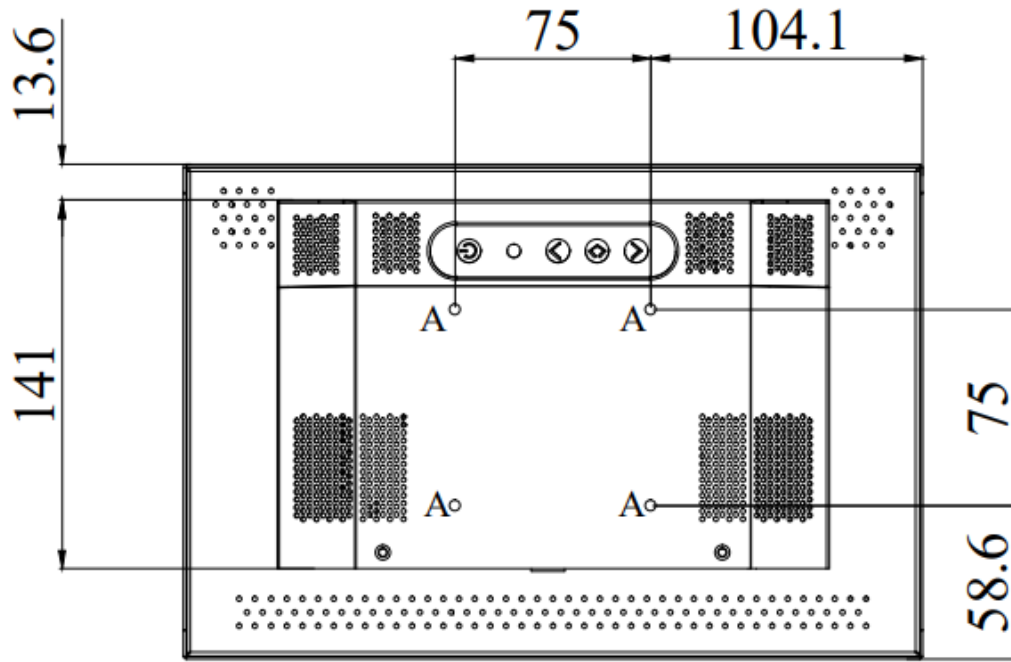


Mechanical Drawing

Outline Dimensions

Unit:mm

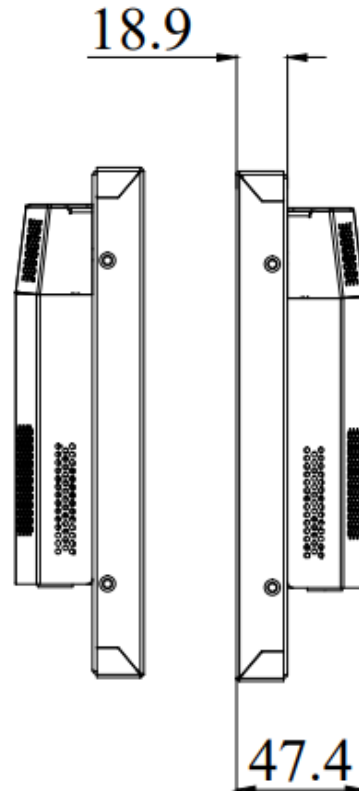




DC IN

HDMI

DP



NOTE :

O.D. : OUTLINE DIMENSION

B.O. : BEZEL OPENING

A.A. : LCD ACTIVE AREA

A : 4-M4_USER HOLE_MAX Depth=4mm

Ordering Information

Part Number	Description
DLD1216-INB-T11	12.1",1200nits,1280x800,LID12C,AD68862HP,O/B,DC12V,3in1,V1

Optional Accessories

Part Number	Description
840612051212	ADAPTER,AC/DC,12V/5A,60W.Power-Din-4P,CWT.G99-ABF060F-N022.Efficiency-level-6,R
810618301010	CABLE,POWER,AC,1830mm USA type
810618301090	CABLE,POWER,AC,1830mm Europe type
810618301050	CABLE,POWER,AC,1830mm UK type
810618301170	CABLE,POWER,AC,1830mm Australia type
810618301030	CABLE,POWER,AC,1830mm Japan type

By Customer Request

Touch	PCT (Multi-Touch)
Glass	Tempered glass, AR coating.....