



## SSD4225-Y V2

### 42.2" TFT LCD, 1000 nits LED Backlight , 1920x480 ultra-wide aspect ratio 16:4

The SSF/SSH4225-Y V2 is a 42.2 inch color TFT-LCD display with special aspect ratio 16:4 and wide resolution 1920 x 480. It is Litemax's Spanpixel series product which designed for high brightness 1000 nits with power efficiency LED backlight. It provides LCD panel with specific aspect ratios and sunlight readable for digital signage, public transportation, exhibition hall, department store, and vending machine.

#### Key Features

- 42.2" Stretched LCD
- Ultra-Wide Screen (16 : 4)
- High Brightness 1000 nits
- LED Backlight
- LCD blacking defect free (Hi-Tni 110 °C)
- Low Power Consumption
- BL MTBF: 50,000 hours



### Specifications

Model Name	SSD4225-Y V2
Description	42.2" TFT LCD, 1000 nits LED backlight, 1920x480
Screen Size	42.2"
Display Area (mm)	1039.68(H) x 259.92(V)
Brightness	1000 cd/m <sup>2</sup>
Resolution	1920x480
Aspect Ratio	16 : 4
Contrast Ratio	5300 : 1
Pixel Pitch (mm)	0.54(H) x 0.54(V)
Pixel Pre Inch (PPI)	47
Viewing Angle	178°(H),178°(V)
Color Saturation (NTSC)	84%
Display Colors	1.07B
Response Time (Typical)	8ms
Panel Interface	LVDS
Input Interface	HDMI, DP
Input Power	DC 24V
Power Consumption	60W
OSD Key	4 Keys (Power Switch, Menu, +, -)
OSD Control	Brightness, Color, Contrast, Auto Turing, H/V Position...etc
Dimensions (mm)	1070.08(H) x 290.32(V) x 70 (T)
Bezel Size(U/B/L/R)	15.2/15.2/15.2/15.2 mm
Mounting	400x100
Weight (Net)	9.73 kg
Operating Temperature	-20 °C ~ 60 °C
Storage Temperature	-20 °C ~ 60 °C

**SSD** = Panel + LED Driving Board + AD Control Board + Housing

*Specifications are subject to change without notice.*

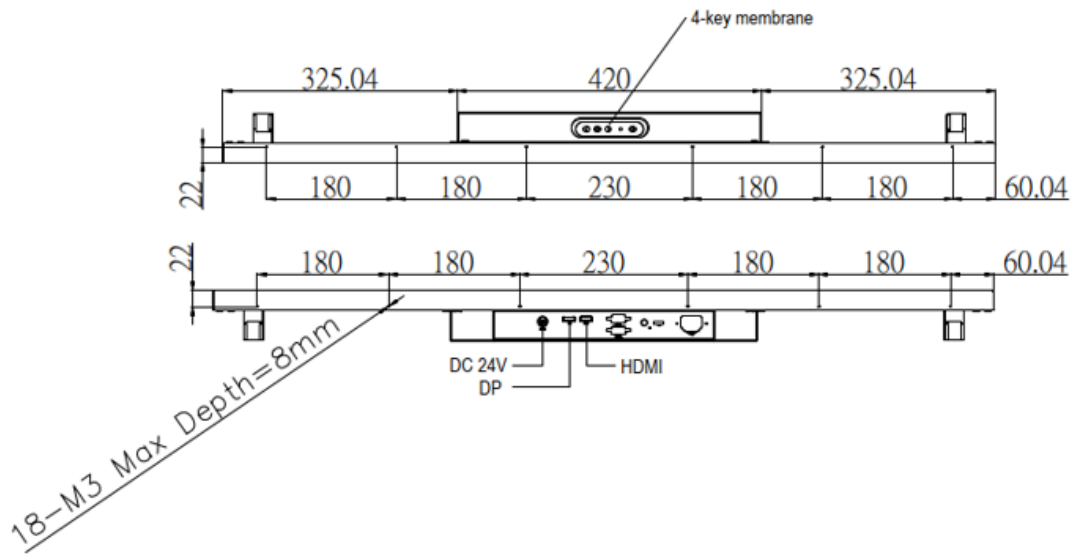
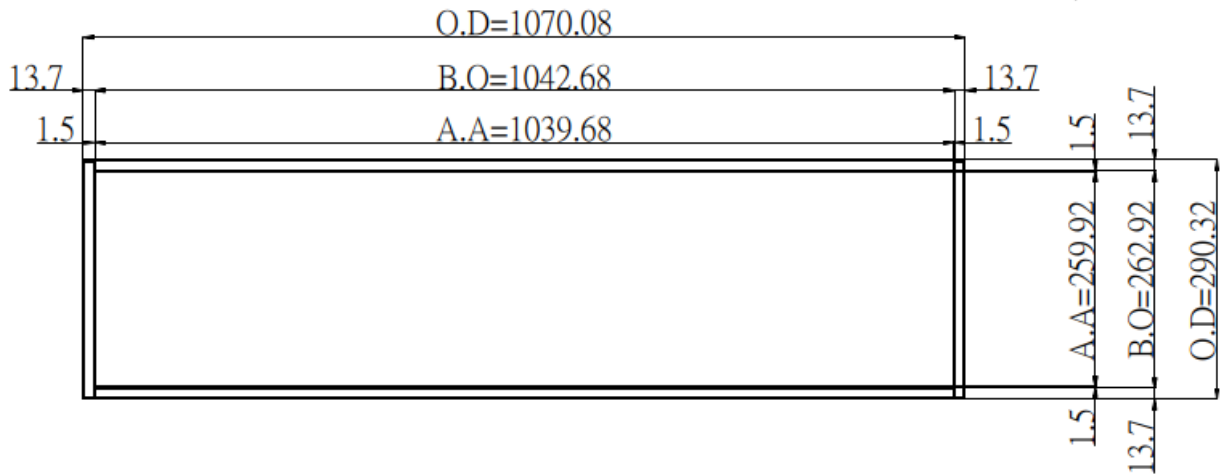
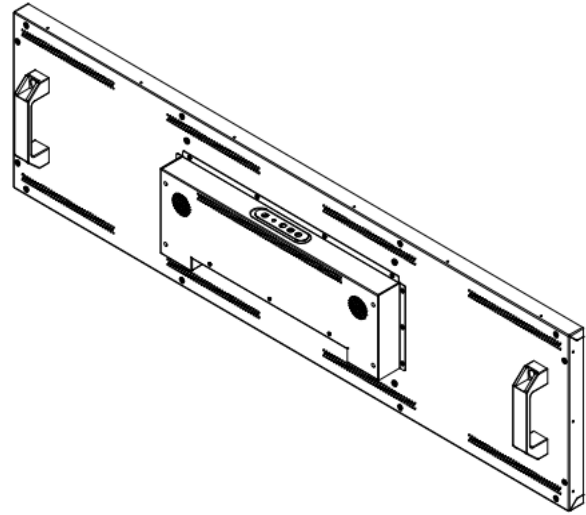
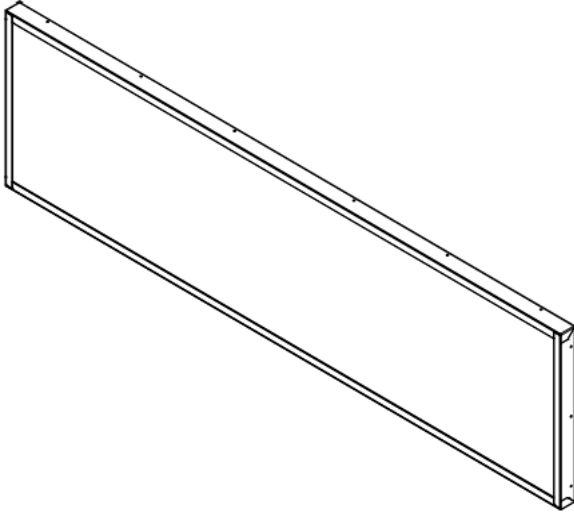


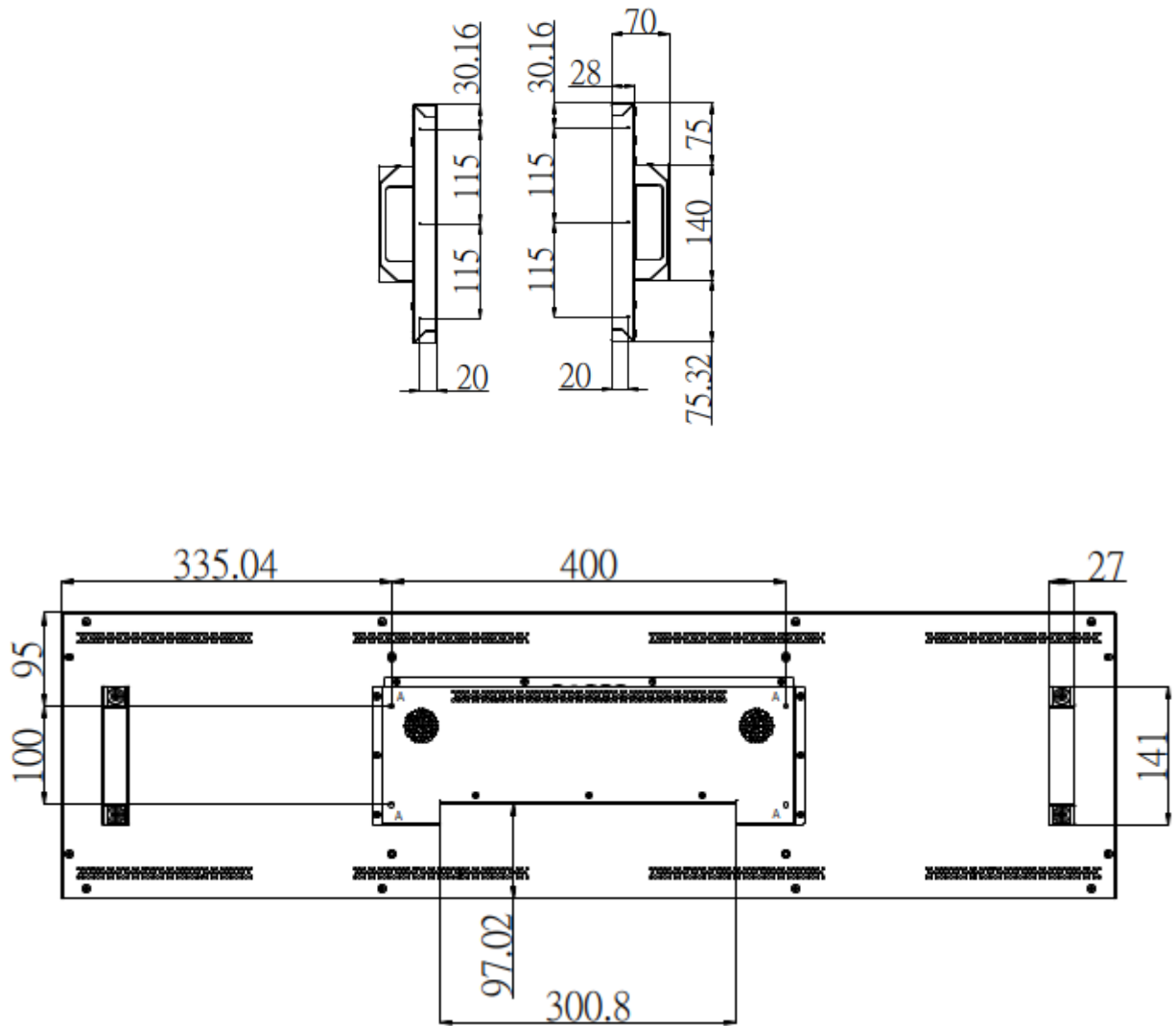
All brands or product names are trademarks or registered trademarks of their respective companies.

## Mechanical Drawing

### Outline Dimensions

Unit:mm





Note :  
 O.D. : OUTLINE DIMENSION  
 B.O. : BEZEL OPENING  
 A.A. : ACTIVE AREA  
 A : 4-M6\_USER HOLE\_MAX Depth=9mm



### Ordering Information

Part Number	Description
SSD4225-YNB-T21	42.2", 1000nits, 1920x480, HTni, LID on LCM, AD68862HP, O/B, DC24V, 3in1, V2

### Optional Accessories

Part Number	Description
810618301010	CABLE, POWER, AC, 1830mm USA type
810618301090	CABLE, POWER, AC, 1830mm Europe type
810618301050	CABLE, POWER, AC, 1830mm UK type
810618301170	CABLE, POWER, AC, 1830mm Australia type
810618301031	CABLE, POWER, AC, 1830mm Japan type

### Customer request

Touch	PCT (Multi-Touch)
Glass	Tempered glass, AR coating.....