



SLD0625-E 6.5" TFT LCD, 1000nits LED Backlight, 640x480

The SLD0625-E is a 6.5 inch industrial grade sunlight readable LCD, with high brightness 1000 nits, it produce sharp images, crisp text and lifelike colors. The Durapixel LED backlight technology ensures high reliability and low power consumption, suitable for outdoor application, kiosk, factory automation, military, transportation and gaming application.

Key Features

- High Brightness 1000 nits
- Sunlight Readable
- LED Backlight
- Low Power Consumption
- Wide Temperature(-30 °C ~ 80 °C)
- BL MTBF: 100,000 hours



Specifications

Model Name	SLD0625-E
Description	6.5" TFT LCD, 1000nits LED Backlight, 640x480
Screen Size	6.5"
Display Area (mm)	132.48(H) x 99.36(V)
Brightness (Typical)	1000 cd/m2
Resolution	640x480
Aspect Ratio	4:3
Contrast Ratio (Typical)	1100 : 1
Pixel Pitch (mm)	0.207(H) x 0.207(V)
Pixel Pre Inch (PPI)	123
Viewing Angle	178°(H),178°(V)
Color Saturation (NTSC)	59%
Display Colors	16.7M
Response Time (Typical)	25ms
Panel Interface	LVDS
Input Interface	DVI-D
Input Power	DC12V
Power Consumption	3.36W
OSD Key	4 Keys (Power Switch, Menu, +, -)
OSD Control	Brightness, Color, Contrast, Auto Turing, H/V Position...etc
Dimensions (mm)	172.2 x 130.2 x 33.5
Bezel Size(U/B/L/R)	15.4/15.4/19.9/19.9
Weight (Net)	0.72Kg
Mounting	75x75 mm
Operating Temperature	-30 °C ~ 80 °C
Storage Temperature	-30 °C ~ 80 °C

SLD= Panel + LED Driving Board + AD Control Board + Chassis

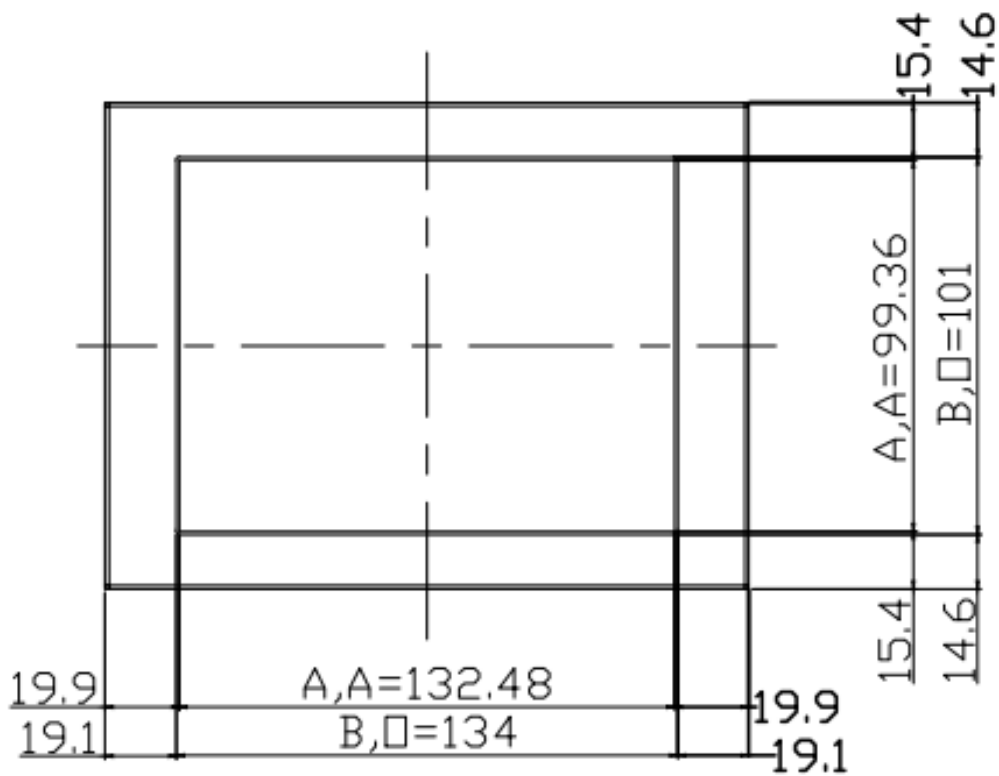
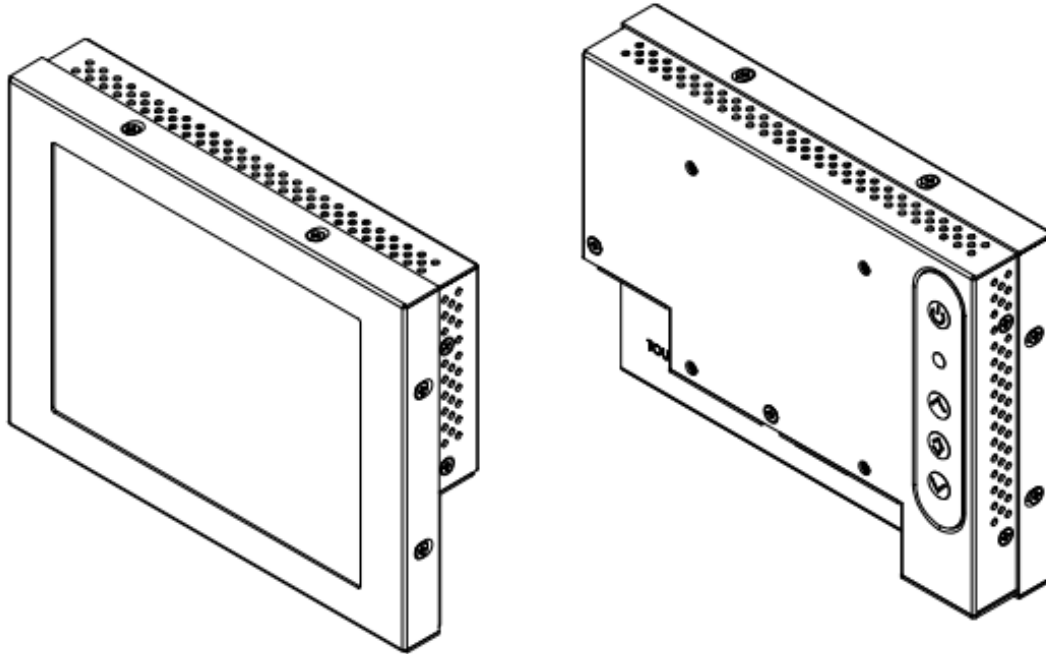
Specifications are subject to change without notice.
All brands or product names are trademarks or registered trademarks of their respective companies.

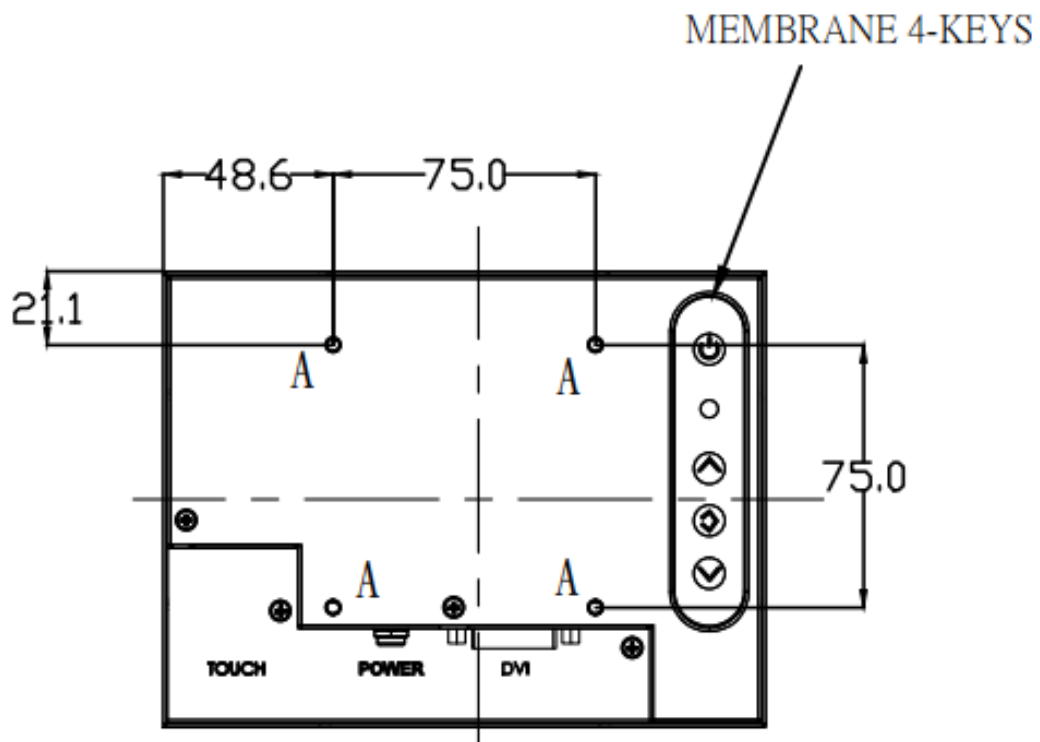
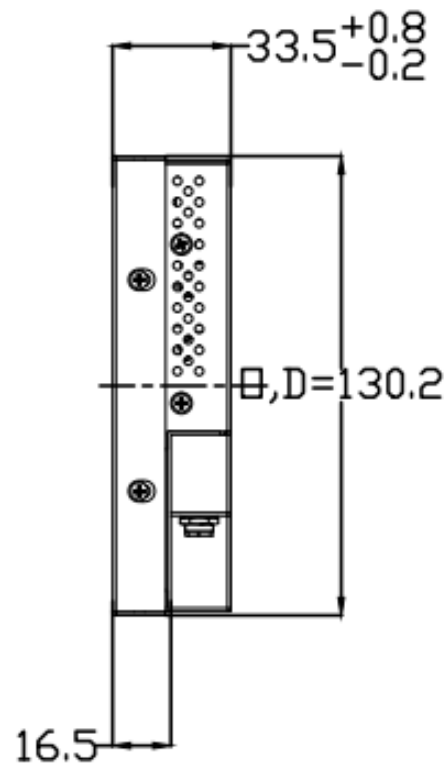


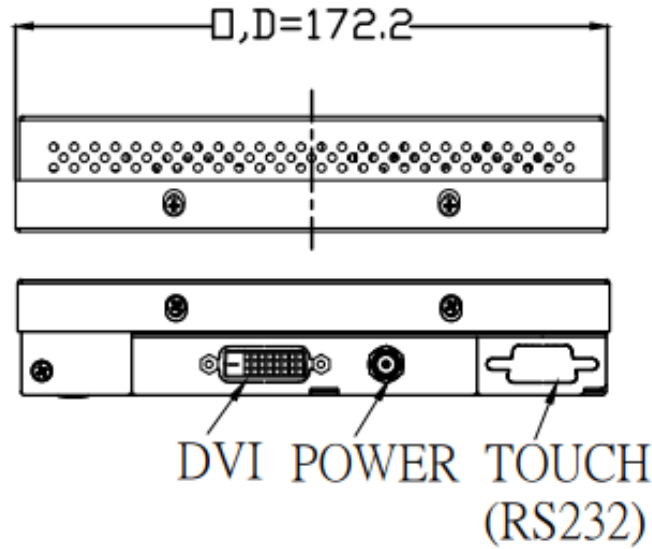
Mechanical Drawing

Outline Dimensions

Unit: mm







Note :
 O.D : Outline Dimension
 B.O : Bezel Opening
 A.A : LCD Active Area
 A:4-M4_USER HOLES _MAX.DEPTH=4mm

Ordering Information

Part Number	Description
SLD0625-ENB-I11	6.5",1000nits,640x480,T3080,LID on LCM,AD6038DM,O/B,DC12V,5in1,V02
SLO0625-ENB-I11	6.5",1000nits,640x480,T3080,LID on LCM,AD6038GM,W/Bracket,O/B,DC12V,5in1,V02

Optional Accessories

Part Number	Description
810618301010	CABLE,POWER,AC,1830mm USA type
810618301090	CABLE,POWER,AC,1830mm Europe type
810618301050	CABLE,POWER,AC,1830mm UK type
810618301170	CABLE,POWER,AC,1830mm Australia type
810618301031	CABLE,POWER,AC,1830mm Japan type

Customer request

Touch	SCT (Single-Touch), PCT (Multi-Touch)
Glass	Tempered glass, AR coating.....