



## ULO1045-MXT 10.4" TFT LCD, 1000nits LED Backlight, 1024x768

The ULO1045-MHT is a 10.4 inch industrial grade LCD, with high brightness 1000 nits, it produce sharp images, crisp text and lifelike colors. The Ubipixel LED backlight technology ensures high reliability and low power consumption, suitable for outdoor application, kiosk, factory automation, military, transportation and gaming application.

### Key Features

- High brightness 1000nits
- Sunlight readable
- Resolutions: 1024x768
- LED Backlight
- Aspect ratio of 4:3
- Wide temperature (-20 °C~70 °C)
- Low power consumption
- BL MTBF: 50,000 hours



## Specifications

<b>Model Name</b>	<b>ULO1045-M</b>
<b>Description</b>	10.4" TFT LCD, 1000 nits LED Backlight, 1024x768
<b>Screen Size</b>	10.4"
<b>Display Area (mm)</b>	210.43(H) x 157.82(V)
<b>Brightness (Typical)</b>	1000 cd/m <sup>2</sup>
<b>Resolution</b>	1024x768
<b>Aspect Ratio</b>	4:3
<b>Contrast Ratio (Typical)</b>	1000 : 1
<b>Pixel Pitch (mm)</b>	0.2055(H) x 0.2055 (V)
<b>Pixel Pre Inch (PPI)</b>	123
<b>Viewing Angle</b>	176°(H),176°(V)
<b>Color Saturation (NTSC)</b>	77%
<b>Display Colors</b>	16.2M
<b>Response Time (Typical)</b>	25 ms
<b>Panel Interface</b>	LVDS
<b>Touch Interface</b>	USB
<b>AD Board Input Interface</b>	HDMI,DP
<b>AD Board Input Power</b>	DC12V
<b>Power Consumption</b>	8.2W
<b>OSD Key</b>	4 Keys (Power Switch, Menu, +, -)
<b>OSD Control</b>	Brightness, Color, Contrast, Auto Turing, H/V Position...etc
<b>Dimensions (mm)</b>	261.7 x 208.9 x 54
<b>Bezel Size(U/B/L/R)</b>	24.3/24.3/24.3/24.3
<b>Weight (Net)</b>	1.76 Kg
<b>Mounting</b>	75 X 75 mm
<b>Operating Temperature</b>	-20 °C ~ 70 °C
<b>Storage Temperature</b>	-30 °C ~ 80 °C

**ULO**= Panel + LED Driving Board + AD Control Board + PCT Touch + Chassis

*Specifications are subject to change without notice.*

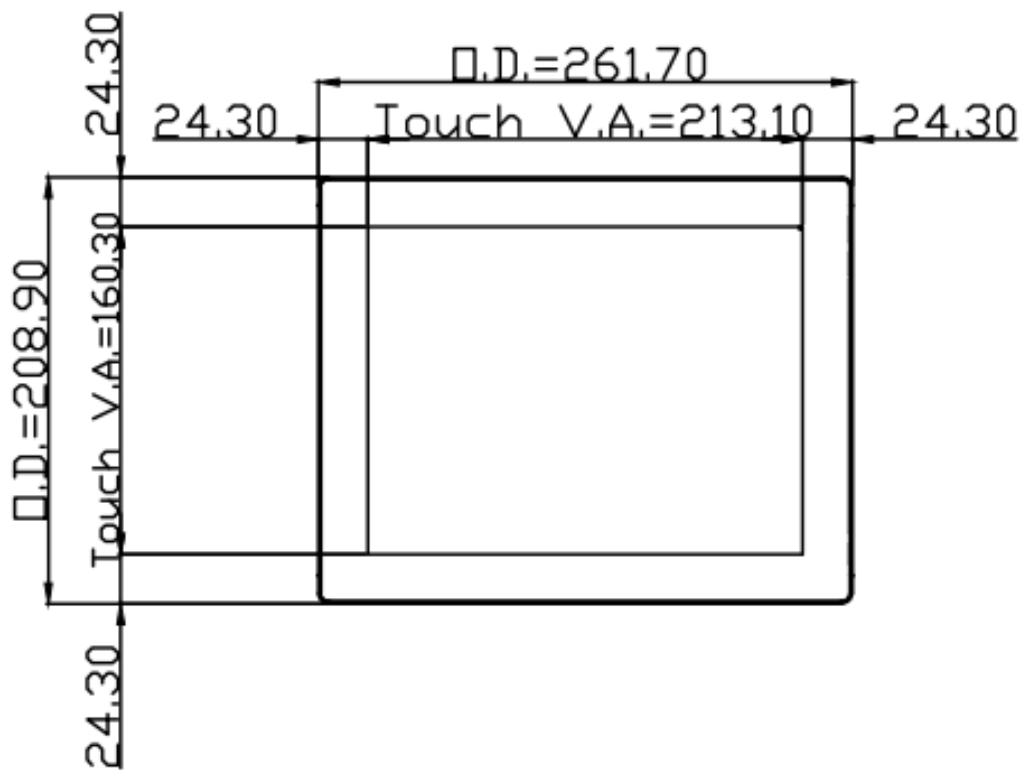
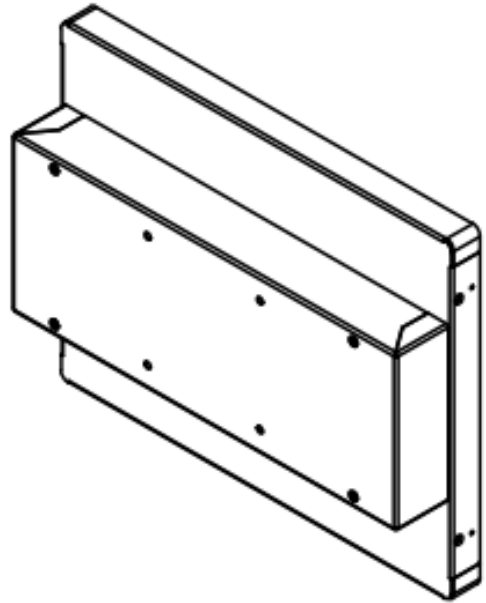
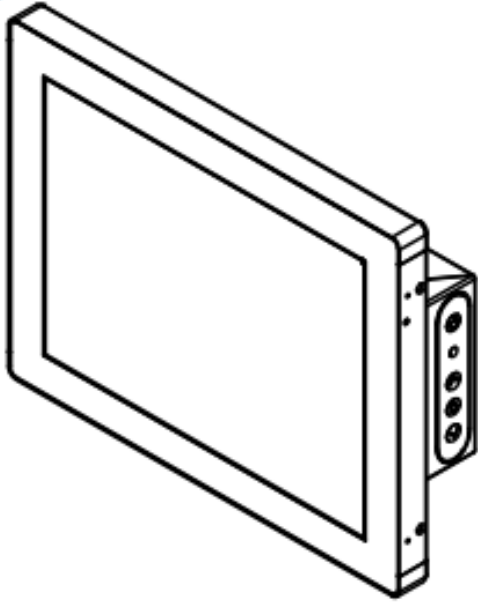
*All brands or product names are trademarks or registered trademarks of their respective companies.*

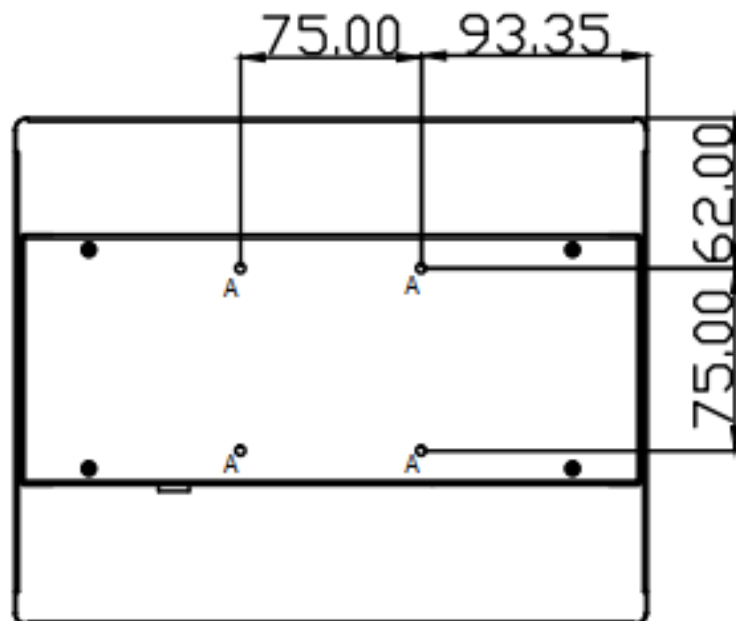
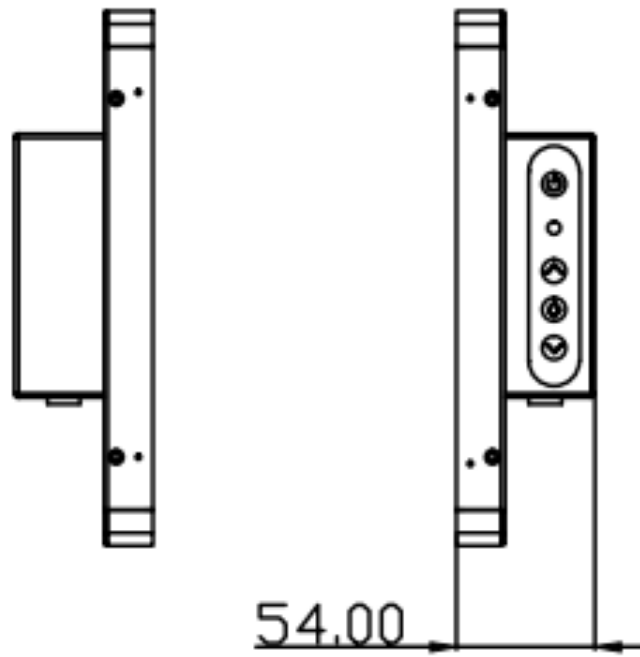


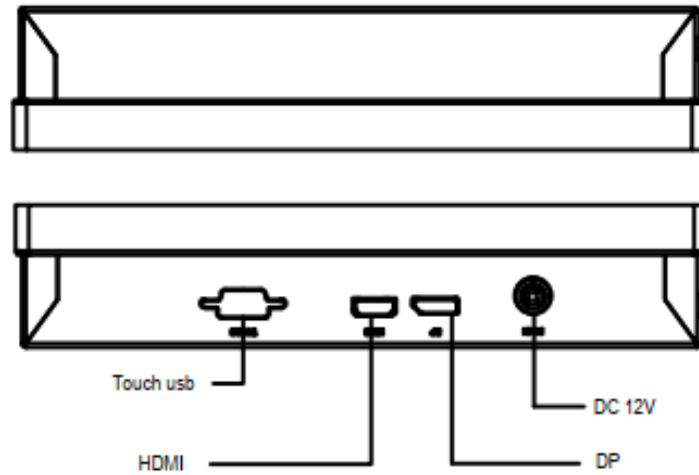
## Mechanical Drawing

Outline Dimensions

Unit:mm







Note : O.D. : OUTLINE DIMENSION

A : 4-M4\_USER HOLE\_MAX Depth=4mm  
 Appearance is SGCC natural color(no Black coating)

### Ordering Information

Part Number	Description
<b>ULO1045-MXT-T11</b>	10.4",1000nits,1024x768,T3080,T/GT-PCT-USB(T=85%),LID10C,AD68862HP,O/B,DC12V,5in1,V1

### Optional Accessories

Part Number	Description
<b>810618301010</b>	CABLE,POWER,AC,1830mm USA type
<b>810618301090</b>	CABLE,POWER,AC,1830mm Europe type
<b>810618301050</b>	CABLE,POWER.AC,1830mm UK type
<b>810618301170</b>	CABLE,POWER,AC,1830mm Australia type
<b>810618301031</b>	CABLE,POWER,AC,1830mm Japan type

### Customer request

<b>Glass</b>	Tempered glass, AR coating.....