



SSD3565-I

35.6" Resizing LCD, 1000 nits LED backlight, 1900 x 2160 Square aspect ratio 8:9

The SSD3565-I is a 35.6 inch color TFT-LCD display with special aspect ratio 8:9 and wide resolution 1900 x 2160. It is Litemax's Spanpixel series product which designed for high brightness 1000 nits with power efficiency LED backlight. It provides LCD panel with specific aspect ratios and sunlight readable for digital signage, public transportation, exhibition hall, department store, and vending machine.

Key Features

- Resizing LCD
- Square Screen (8 : 9)
- High Brightness 1000 nits
- Sunlight Readable
- LED Backlight
- Slim Bezel
- BL MTBF: 100,000 hours



Specifications

Model Name	SSD3565-I
Description	35.6" Resizing LCD, 1000 nits LED backlight, 1900x2160
Screen Size	35.6"
Display Area (mm)	598.5(H) x 680.4(V)
Brightness	1000 cd/m ²
Resolution	1900x2160
Aspect Ratio	8 : 9
Contrast Ratio	7000 : 1
Pixel Pitch (mm)	0.315(H) x 0.315(V)
Pixel Per Inch (PPI)	80
Viewing Angle	178°(H),178°(V)
Color Saturation (NTSC)	83%
Display Colors	1.07G
Response Time (Typical)	9.5ms
Panel Interface	V-by-One
Video Interface	HDMIx2, DP
Input Power	DC24V
Power Consumption	73W
OSD Key	5 Keys (Power Switch, Menu, +, Exit, -)
OSD Control	Brightness, Color, Contrast, Auto Turing, H/V Position...etc
Dimensions (mm)	629 x 710.4 x 73.5
Bezel Size(U/B/L/R)	13.7/16.4/15.2/15.2 mm
Weight (Net)	15kg
Mounting	400x200, 400x300
Operating Temperature	0 °C ~ 50 °C
Storage Temperature	-20 °C ~ 60 °C

SSD= Panel + LED Driving Board + AD Control Board + Housing

Specifications are subject to change without notice.

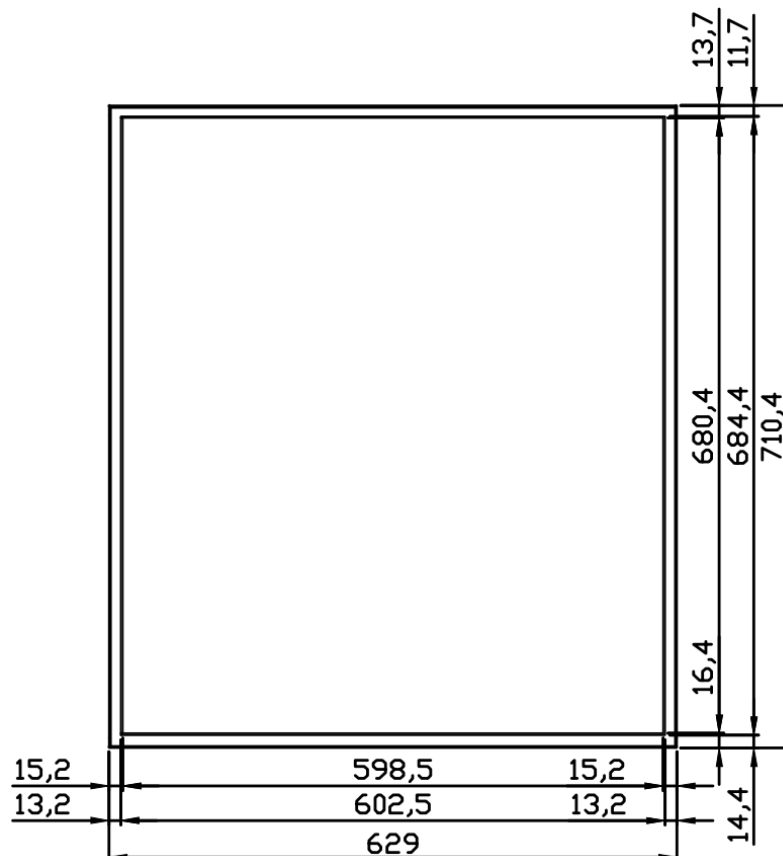
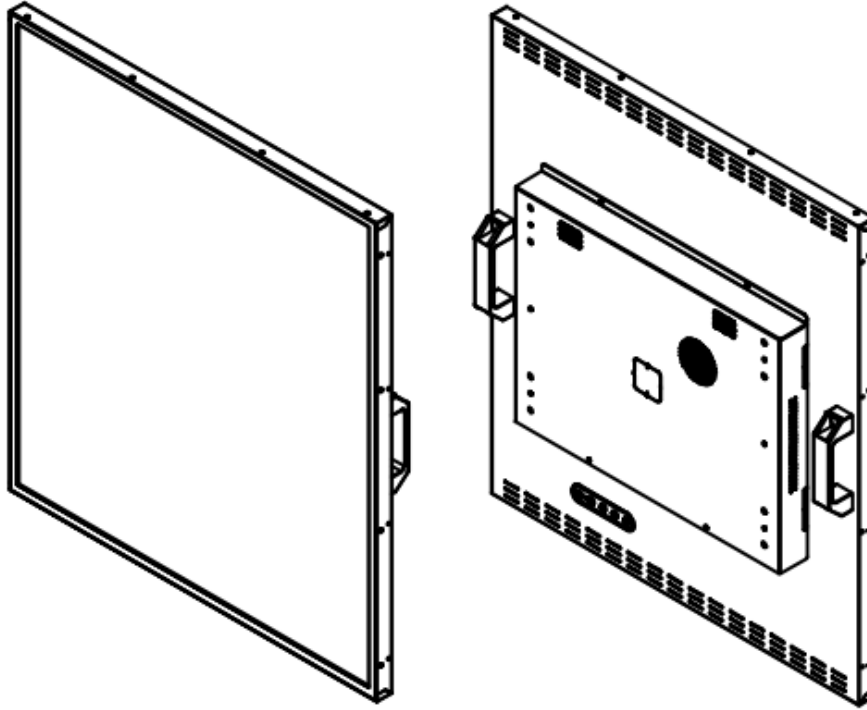
All brands or product names are trademarks or registered trademarks of their respective companies.

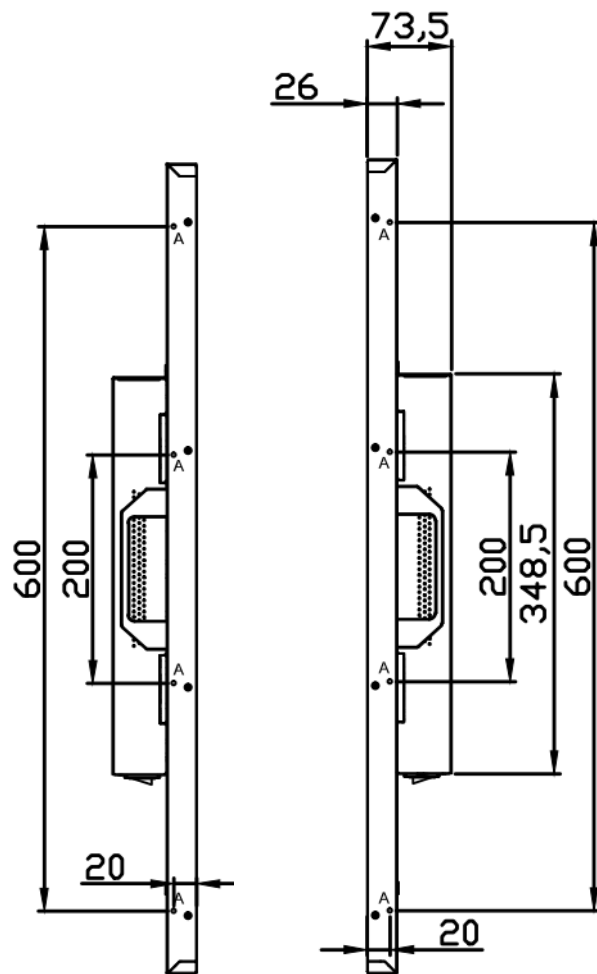
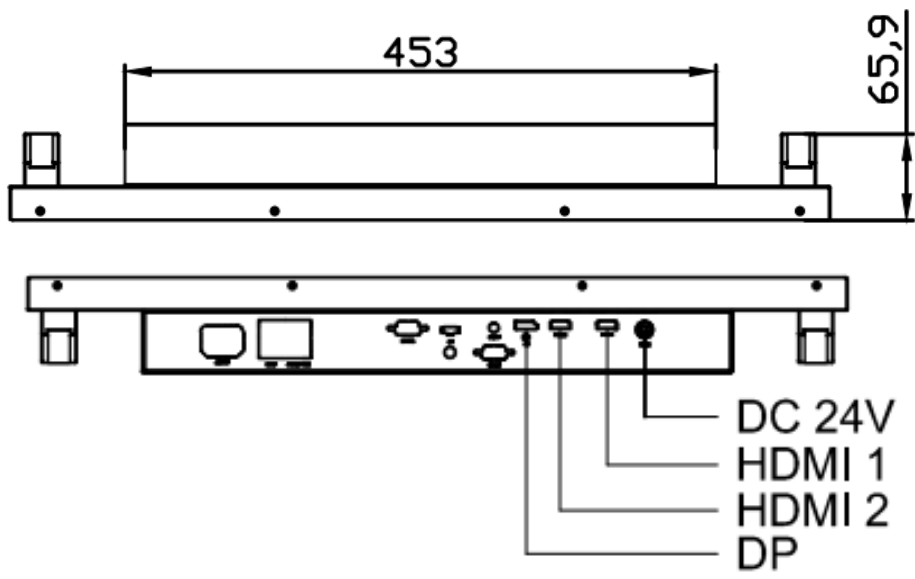


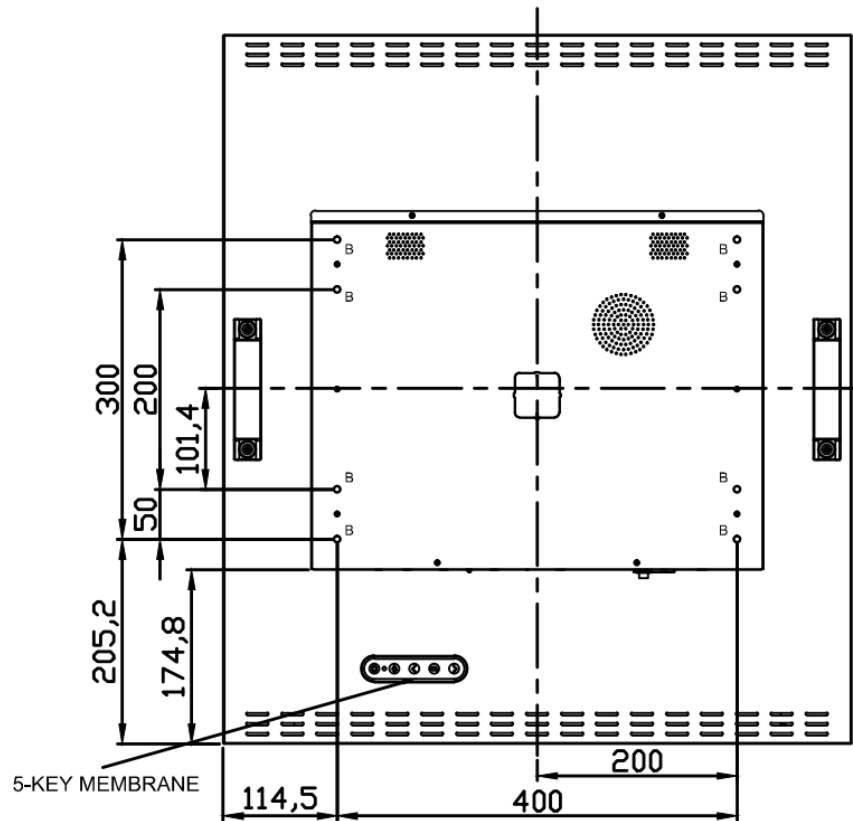
Mechanical Drawing

Outline Dimensions

Unit: mm







Note :
 O.D : Outline Dimension
 B.O : Bezel Opening
 A.A : LCD Active Area
 A:8-M4_USER_HOLE_MAX_DEPTH=10mm
 B:8-M6_USER_HOLE_MAX_DEPTH=20mm

Ordering Information

Part Number	Description
SSD3565-INU-S11	35.6", 1000nits, 1900*2160, right, Inn, LID35C, AD68415HHP, O/B, DC24V, V1

Optional Accessories

Part Number	Description
840613081200	ADAPTER, 24V, 3.75A, 90W, G99-AAL090M-N048, POWER DIN 4P, P
810618301010	CABLE, POWER, AC, 1830mm USA type
810618301090	CABLE, POWER, AC, 1830mm Europe type
810618301050	CABLE, POWER, AC, 1830mm UK type
810618301170	CABLE, POWER, AC, 1830mm Australia type
810618301031	CABLE, POWER, AC, 1830mm Japan type

By Customer Request

Glass	Tempered glass, AR coating.....
-------	---------------------------------