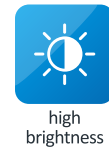


# IPPS-4955-RKC3

49.5" Resizing LCD, 1000 nits LED backlight, 3840 x 1080 ultra-wide aspect ratio 16:4.5

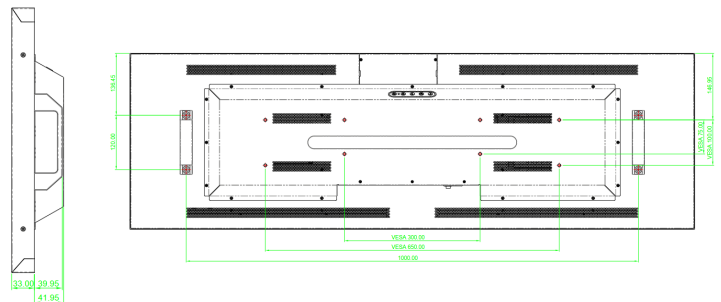
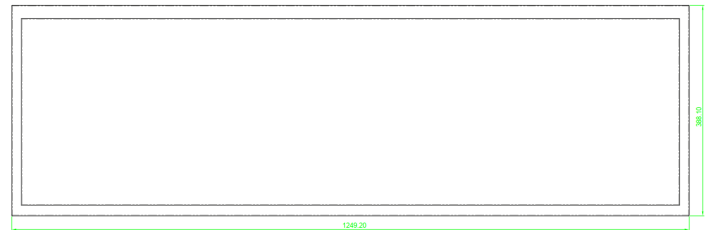


## Key Features

- Resizing LCD
- Ultra-Wide Screen (16 : 4.5)
- High Brightness 1000 nits
- LED Backlight
- Slim Bezel
- BL MTBF: 100,000 hours

## Product Specification

System color	Black
Machanical	SECC
Display	
Display type	49.5" Resizing LCD, 1000 nits LED backlight
Resolution	3840 x 1080
Luminance/Brightness	1000 cd/m <sup>2</sup>
Color	1.07G
Pixel pitch (H/V)	0.315(H) x 0.315(V)
Contrast ratio	5000:1
Viewing angle (H/V)	178°/178°
Backlight MTBF	100,000hrs(typ.)
Glass type	3mm Tempered Glass
Main System	
Processor	Rockchip RK3568 processor
Chipset	NA
Graphic	Mali-G52 GPU
Memory	2GB DDR4
System I/O	1 x LAN(10/100/1000), 2 x USB
Ethernet	10/100/1000 Mbps
Storage support	32G
System indicators	N/A
System controls	5 Keys (Power Switch, Menu, +, Exit, -)
Watchdog timer	NA
OS Support	Android 11
Power supply	100~240 Vdc input
Mounting kit	VESA 300 x 75, 650 x 100
Environment	
IP level	NA
Operating temperature	0 °C ~ 50 °C
Storage temperature	-20 °C ~ 60 °C
Relative humidity	0% ~ 90% (non-condensing)
Dimensions	1249.2 x 3881.3 x 74.5
Weight	24.4Kg



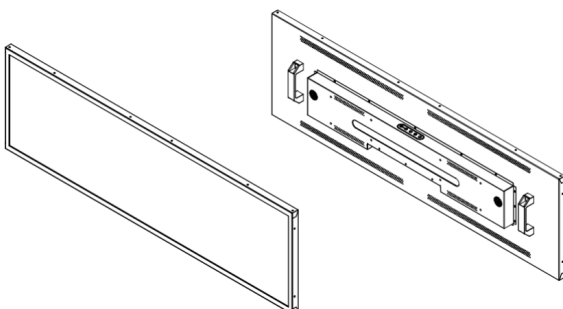
## Ordering Information

Part Number	Description
IPPS-4955-RKC3-ZG00-1001	49.5", 1000nits, 3840x1080, 3mm Tempered Glass, LID49C, AD68415HHP, PK3568, 2GB DDR3L, 16GB eMMC, O/B, AC100~240V
IPPS-4955-RKC3-ZP00-1001	49.5", 1000nits, 3840x1080, P-CAP, LID49C, AD68415HHP, PK3568, 2GB DDR3L, 16GB eMMC, O/B, AC100~240V

## Accessories list

Part Number	Description
810618301090	CABLE.POWER.AC.1830mm USA type
810618301010	CABLE.POWER.AC.1830mm Europe type
810618301050	CABLE.POWER.AC.1830mm UK type
810618301170	CABLE.POWER.AC.1830mm Australia type
810618301031	CABLE.POWER.AC.1830mm Japan type

## Dimensions



\*All specifications and photos are subject to change without prior notice