



## SSF/SSH2945-A

### 29.4" Resizing LCD, 1000 nits LED backlight, 1920 x 720

The SSF/SSH2945-A is a 29.4 inch color TFT-LCD display with high brightness 1000 nits and high color saturation. it produce sharp images, crisp text and lifelike colors. The Spanpixel LED backlight technology ensures high reliability and low power consumption, suitable for outdoor application, kiosk, factory automation, military, transportation and gaming application.

#### Key Features

- 29.4" Resizing LCD
- Ultra-Wide Screen (16 : 6)
- High Brightness 1000 nits
- LED Backlight
- Wide viewing angle 178°(H)~ 178°(V)
- Low Power Consumption
- BL MTBF: 100,000 hours



### Specifications

Model Name	SSF/SSH2945-A
Description	29.4" Resizing LCD, 1000 nits LED backlight, 1920x720
Screen Size	29.4"
Display Area (mm)	698.4(H) x 261.9(V)
Brightness	1000 cd/m <sup>2</sup>
Resolution	1920x720
Aspect Ratio	16 : 6
Contrast Ratio	5400 : 1
Pixel Pitch (mm)	0.36375(H) x 0.36375(V)
Pixel Per Inch (PPI)	70
Viewing Angle	178°(H),178°(V)
Color Saturation (NTSC)	87%
Display Colors	16.7M
Response Time (Typical)	6.5ms
Panel Interface	LVDS
Video Interface	HDMI, DP
Input Power	DC12V
Power Consumption	37W (with AD Board 40W)
OSD Key	4 Keys (Power Switch, Menu, +, -)
OSD Control	Brightness, Color, Contrast, Auto Turing, H/V Position...etc
Dimensions (mm)	735.4 x 302.6 x 20.9
Bezel Size(U/B/L/R)	22.7/18/18.5/18.5
Weight (Net)	3.2 kg
Operating Temperature	0 °C ~ 50 °C
Storage Temperature	-20 °C ~ 60 °C

SSF= Panel + LED Driving Board

SSH= Panel + LED Driving Board + AD Control Board

*Specifications are subject to change without notice.*

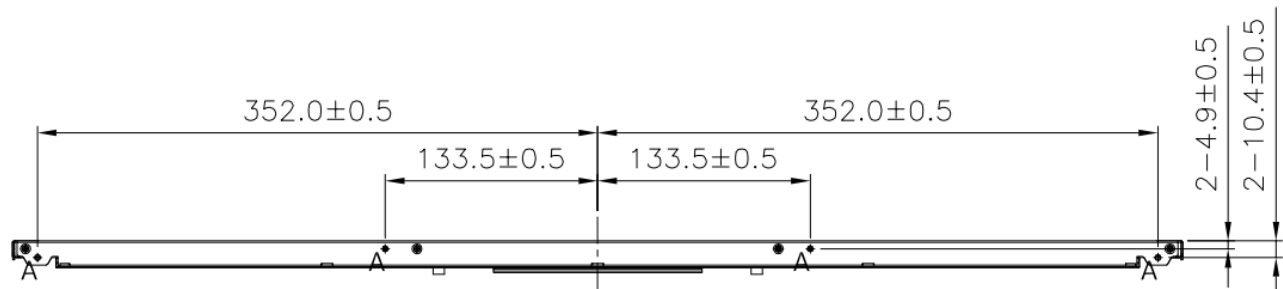
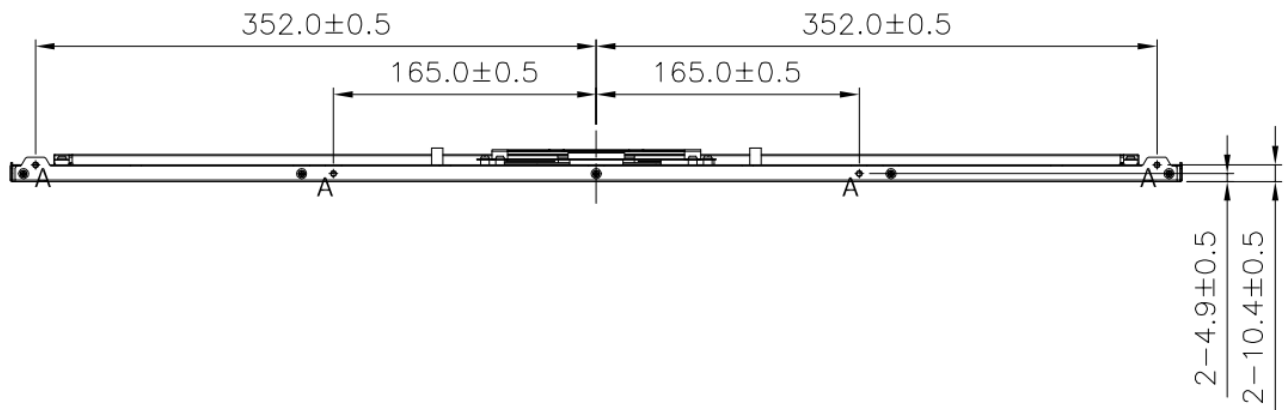
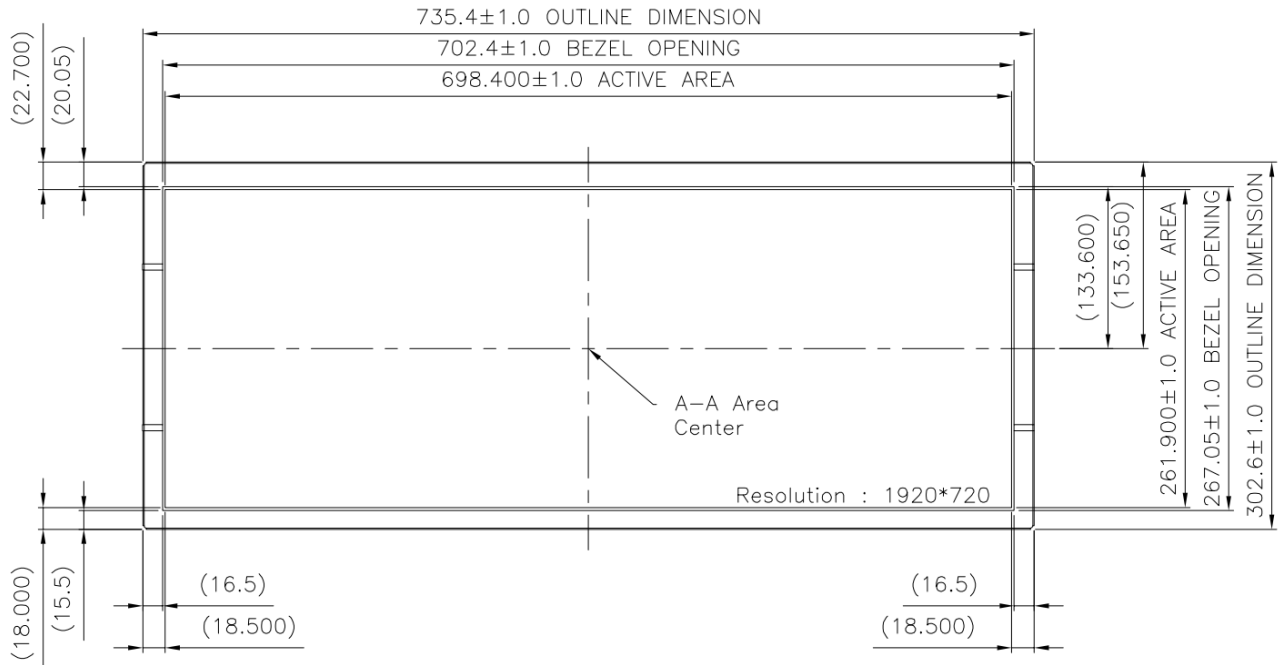
*All brands or product names are trademarks or registered trademarks of their respective companies.*



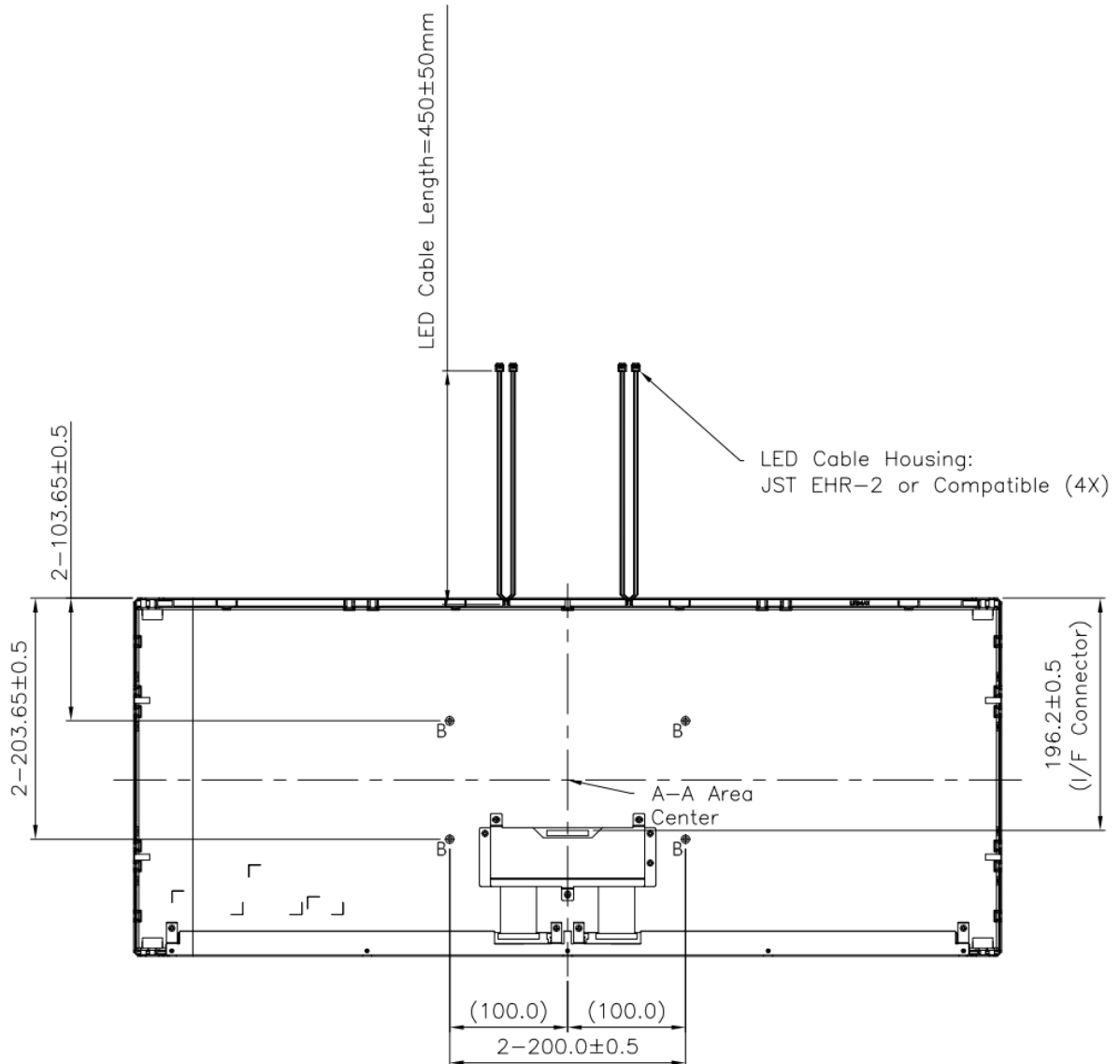
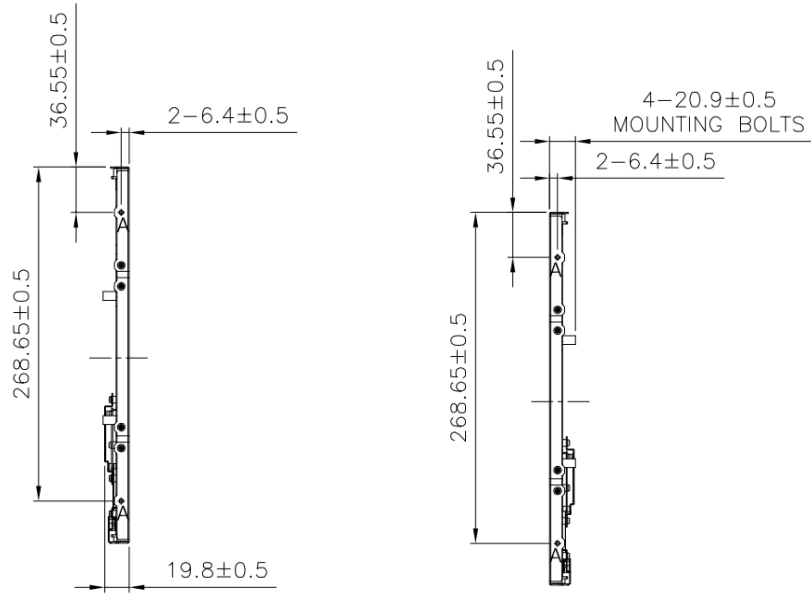
## Mechanical Drawing

### Outline Dimensions

Unit: mm



A	M3 MOUNTING HOLE (12X) DP=5.0mm MAX SCREW
---	---



B	M4 MOUNTING HOLE (4X) DP=5.0mm MAX SCREW
---	--



Note :

1. Resolution: 1920x720
2. "( )"marks the reference dimensions
3. Front Case is black paint

### Ordering Information

Part Number	Description
<b>SSF2945-ANN-A11</b>	29.4", 1000nits, 1920x720, LID29C, 5in1, V1
<b>SSH2945-ANN-T11</b>	29.4", 1000nits, 1920x720, LID29C, AD68862HP, DC12V, 5in1, V1

### Optional Accessories

Part Number	Description
<b>840612051212</b>	ADAPTER, AC/DC, 12V/5A, 60W, Power-Din-4P, CWT, G99-ABF060F-N022, Efficiency-level-6, R
<b>810618301010</b>	CABLE.POWER.AC.1830mm USA type
<b>810618301090</b>	CABLE, POWER, AC, 1830mm Europe type
<b>810618301050</b>	CABLE.POWER.AC.1830mm UK type
<b>810618301170</b>	CABLE.POWER, AC, 1830mm Australia type
<b>810618301031</b>	CABLE.POWER.AC.1830mm Japan type

### By Customer Request

<b>Glass</b>	Tempered glass, AR coating.....
<b>Touch</b>	PCT, SCT, Resistive.....