



DLD0845-A
8.4" TFT LCD, 1000 nits LED Backlight, 800x600

The **DLD0845-A** is a 8.4 inch industrial grade sunlight readable LCD, with high brightness **1000** nits, it produces sharp images, crisp text and lifelike colors. The Durapixel LED backlight technology ensures high reliability and low power consumption, suitable for outdoor application, kiosk, factory automation, military, transportation and gaming application.

Key Features

- High Brightness 1000 nits
- Sunlight Readable
- Wide Viewing Angle of 178°(H), 178°(V)
- Wide Temperature (-30~85°C)
- Low Power Consumption
- BL MTBF: 100,000 hours



Specifications

Model Name	DLD0845-A
Description	8.4" TFT LCD, 1000 nits LED Backlight, 800x600
Screen Size	8.4"
Display Area (mm)	170.4(H) x 127.8(V)
Brightness	1000 cd/m ²
Resolution	800x600
Aspect Ratio	4:3
Contrast Ratio	1800:1
Pixel Pitch (mm)	0.213(H) x 0.213(V)
Pixel Pre Inch (PPI)	119
Viewing Angle	178°(H),178°(V)
Color Saturation (NTSC)	44%
Display Colors	16.7M
Response Time (Typical)	25ms
Panel Interface	LVDS
Input Interface	VGA, DVI-D, HDMI
Input Power	DC12V
Power Consumption	5W
OSD Key	4 Keys (Power Switch, Menu, +, -)
OSD Control	Brightness, Color, Contrast, Auto Tuning, H/V Position...etc
Dimensions (mm)	221.6(W) x 149.68(H) x 45(D)
Bezel Size(U/B/L/R)	10.94/10.94/25.6/25.6 mm
Mounting	75x75 mm
Weight (Net)	1.2kg
Operating Temperature	-30 °C ~ 85 °C
Storage Temperature	-30 °C ~ 85 °C

DLD= Panel + LED Driving Board + AD Control Board + Chassis

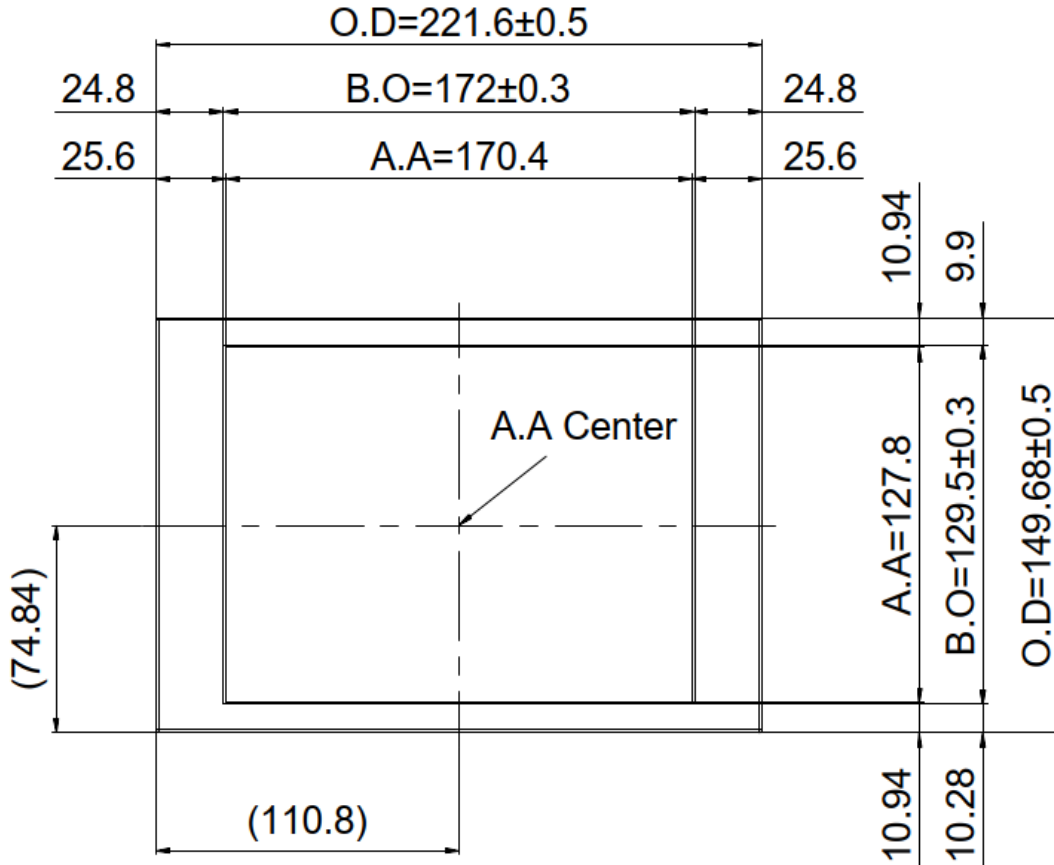
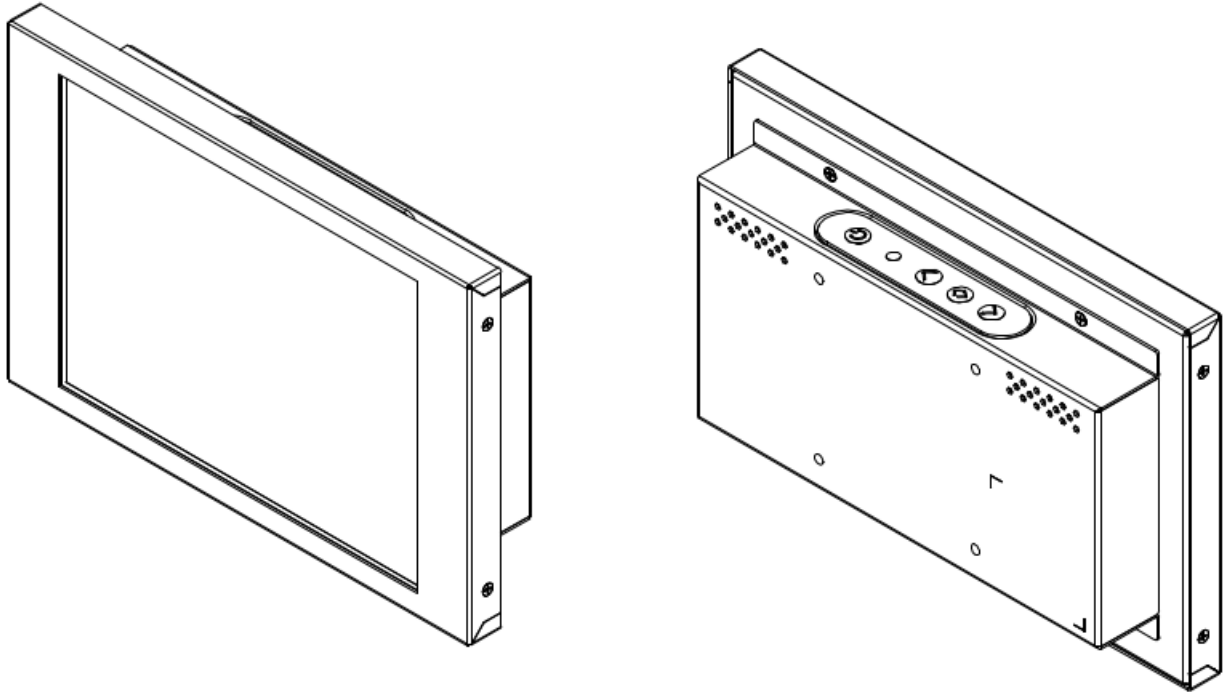
*Specifications are subject to change without notice.
 All brands or product names are trademarks or registered trademarks of their respective companies.*

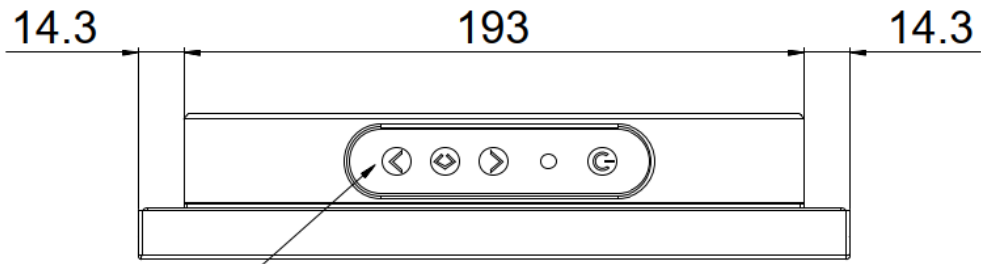


Mechanical Drawing

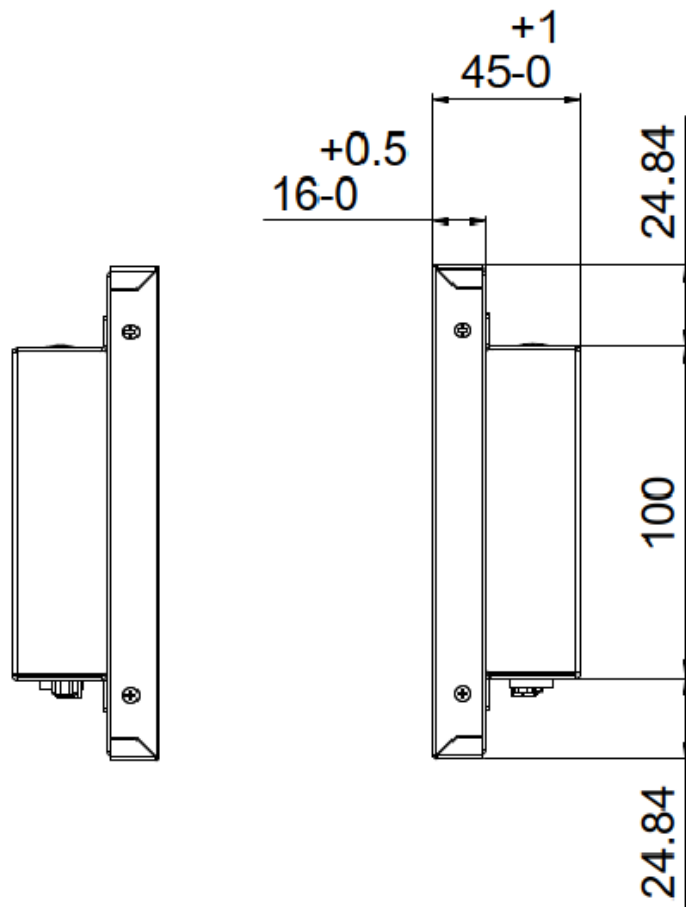
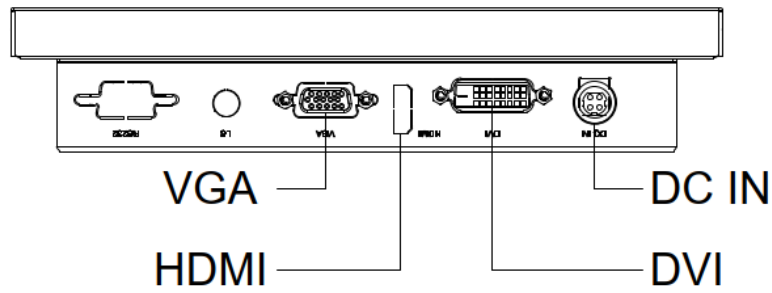
Outline Dimensions

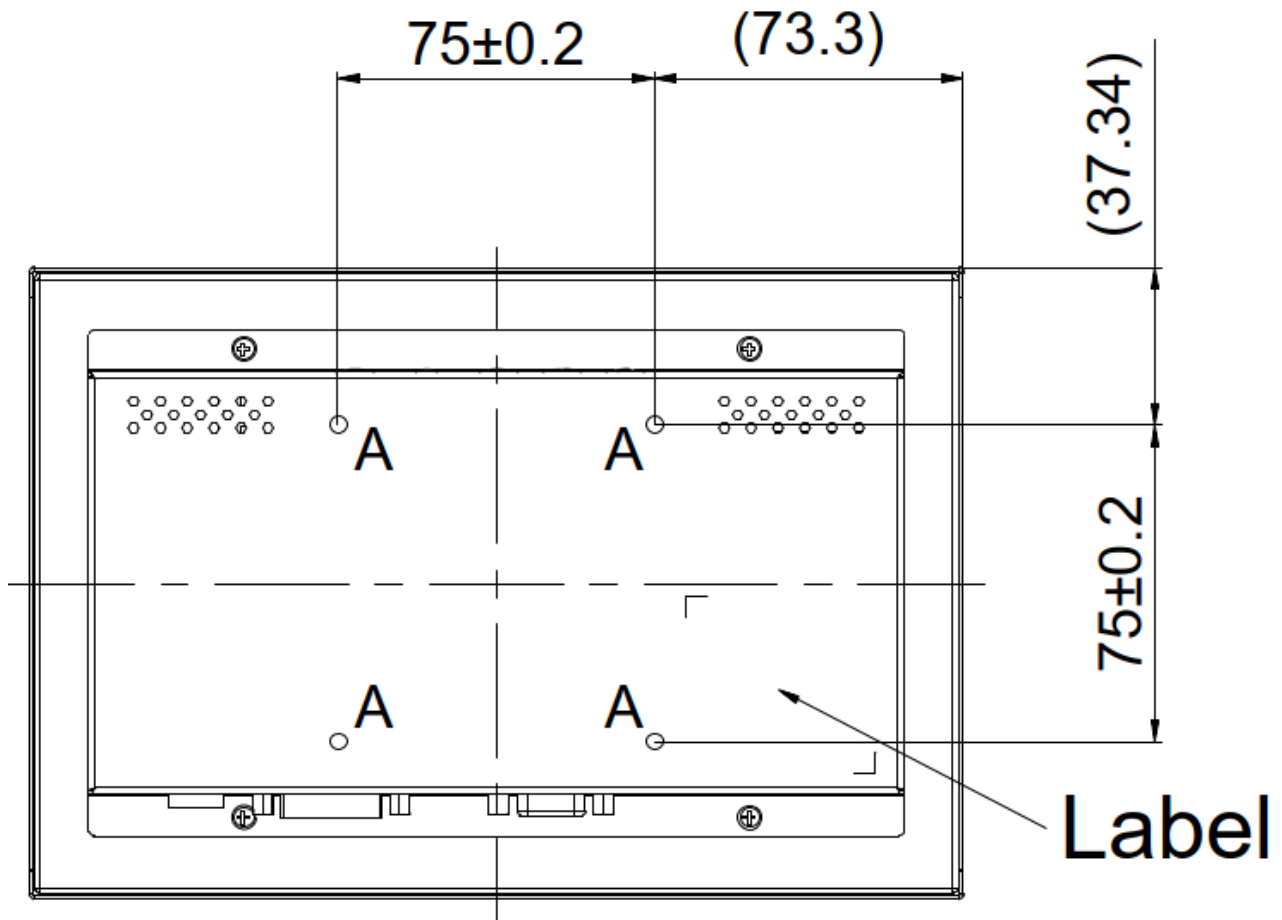
Unit:mm





4Key-Membrane





Note:

O.D. : OUTLINE DIMENSION

V.A. : BEZEL OPENING

A.A. : ACTIVE AREA

A : M4_USER HOLE_MAX Depth=3mm



Ordering Information

Part Number	Description
DLD0845-ANB-Q21	8.4", 1000nits, 800x600, T3085, LID08C, AD8891GDH, O/B, DC12V, 5in1, V2

Optional Accessories

Part Number	Description
810618301010	CABLE, POWER, AC, 1830mm USA type
810618301090	CABLE, POWER, AC, 1830mm Europe type
810618301050	CABLE, POWER, AC, 1830mm UK type
810618301170	CABLE, POWER, AC, 1830mm Australia type
810618301031	CABLE, POWER, AC, 1830mm Japan type

Customer request

Touch	PCAP (Multi-Touch)
Glass	Tempered glass, AR coating.....