



## ULO1853-A 18.5" TFT LCD, 500 nits LED Backlight, 1920x1080

The ULO1853-A is a 18.5 inch industrial grade sunlight Readable LCD, with high brightness 500 nits, it produce sharp images, crisp text and lifelike colors. The Ubipixel LED backlight technology ensures high reliability and low power consumption, suitable for outdoor application, kiosk, factory automation, military, transportation and gaming application.

### Key Features

- High Brightness 500 nits
- Sunlight Readable
- LED Backlight
- Wide Temperature (-20 °C ~70 °C)
- Low Power Consumption
- BL MTBF: 50,000 hours



### Specifications

|                                |  |
|--------------------------------|--|
| <b>Model Name</b>              | <b>ULO1853-A</b>   |
| <b>Description</b>             | 18.5" TFT LCD, 500 nits LED Backlight, 1920x1080             |
| <b>Screen Size</b>             | 18.5"  |
| <b>Display Area (mm)</b>       | 408.960(H) x 230.040(V)                                      |
| <b>Brightness</b>              | 500 cd/m <sup>2</sup>  |
| <b>Resolution</b>              | 1920x1080  |
| <b>Aspect Ratio</b>            | 16 : 9   |
| <b>Contrast Ratio</b>          | 1100 : 1   |
| <b>Pixel Pitch (mm)</b>        | 0.213(H) x 0.213(V)  |
| <b>Pixel Per Inch (PPI)</b>    | 119  |
| <b>Viewing Angle</b>           | 178°(H),178°(V)  |
| <b>Color Saturation (NTSC)</b> | 84%  |
| <b>Display Colors</b>          | 16.7M  |
| <b>Response Time (Typical)</b> | 20ms   |
| <b>Panel Interface</b>         | LVDS   |
| <b>Input Interface</b>         | VGA, DVI-D, HDMI   |
| <b>Input Power</b>             | DC12V  |
| <b>Power Consumption</b>       | 21.2W  |
| <b>OSD Key</b>                 | 4 Keys (Power Switch, Menu, +, -)                            |
| <b>OSD Control</b>             | Brightness, Color, Contrast, Auto Turing, H/V Position...etc |
| <b>Dimensions (mm)</b>         | 433 x 257.2 x 47.1 mm  |
| <b>Bezel Size(U/B/L/R)</b>     | 13.6/13.6/12/12 mm   |
| <b>Mounting</b>                | 75 x 75 mm , 100 x 100 mm                                    |
| <b>Weight (Net)</b>            | 2.5Kg  |
| <b>Operating Temperature</b>   | -20 °C ~ 70 °C   |
| <b>Storage Temperature</b>     | -20 °C ~ 70 °C   |

ULO= Panel + LED Driving + AD Control Board + Housing

*Specifications are subject to change without notice.*

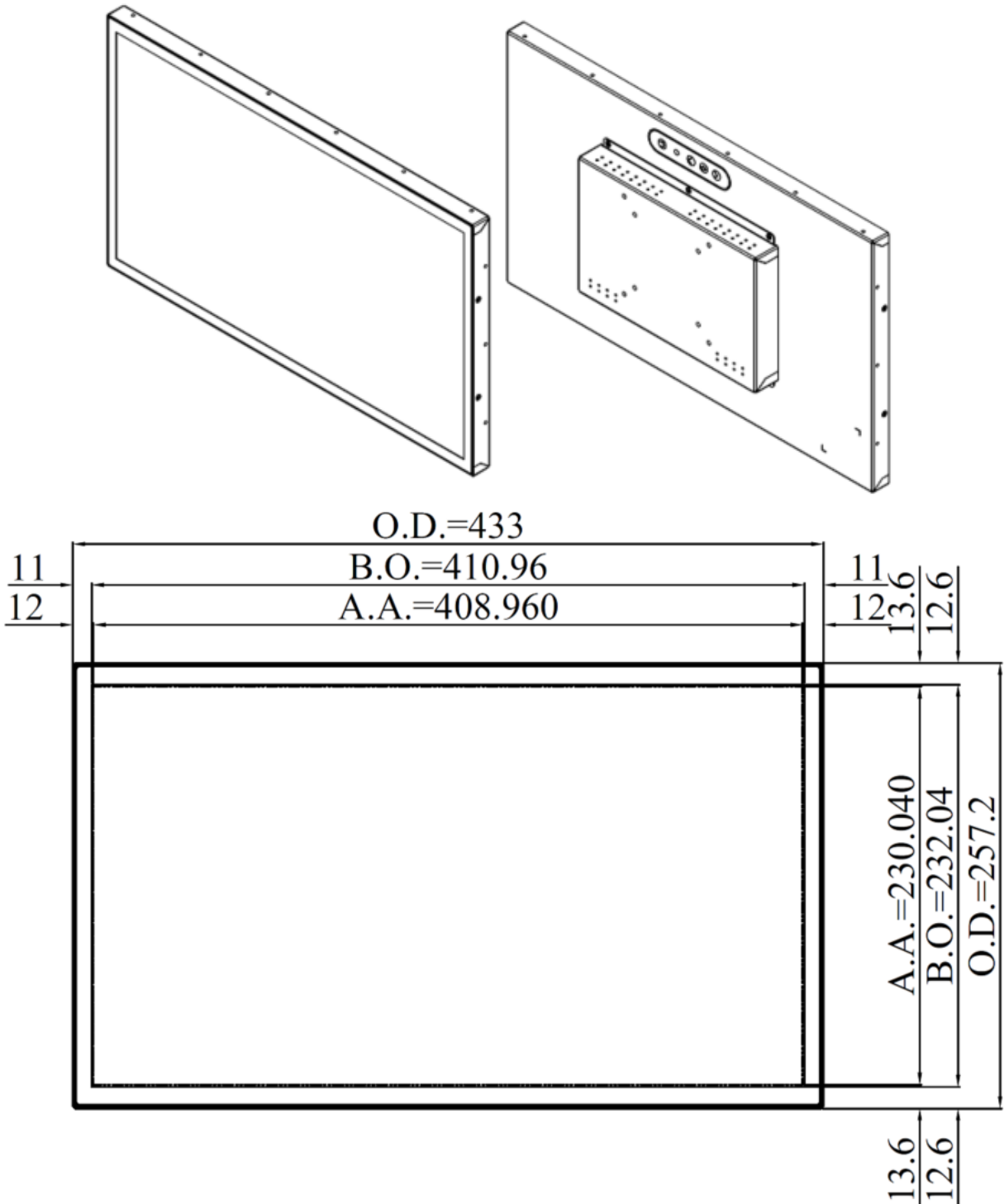
*All brands or product names are trademarks or registered trademarks of their respective companies.*

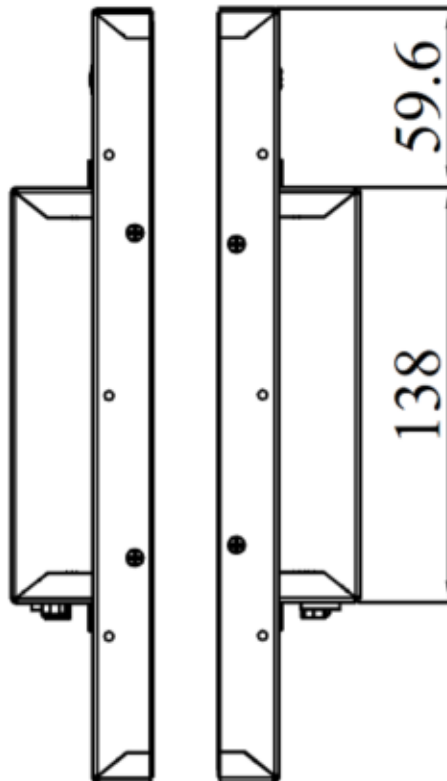
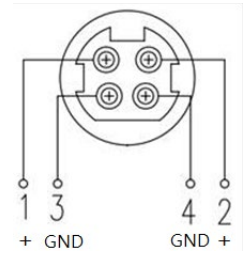
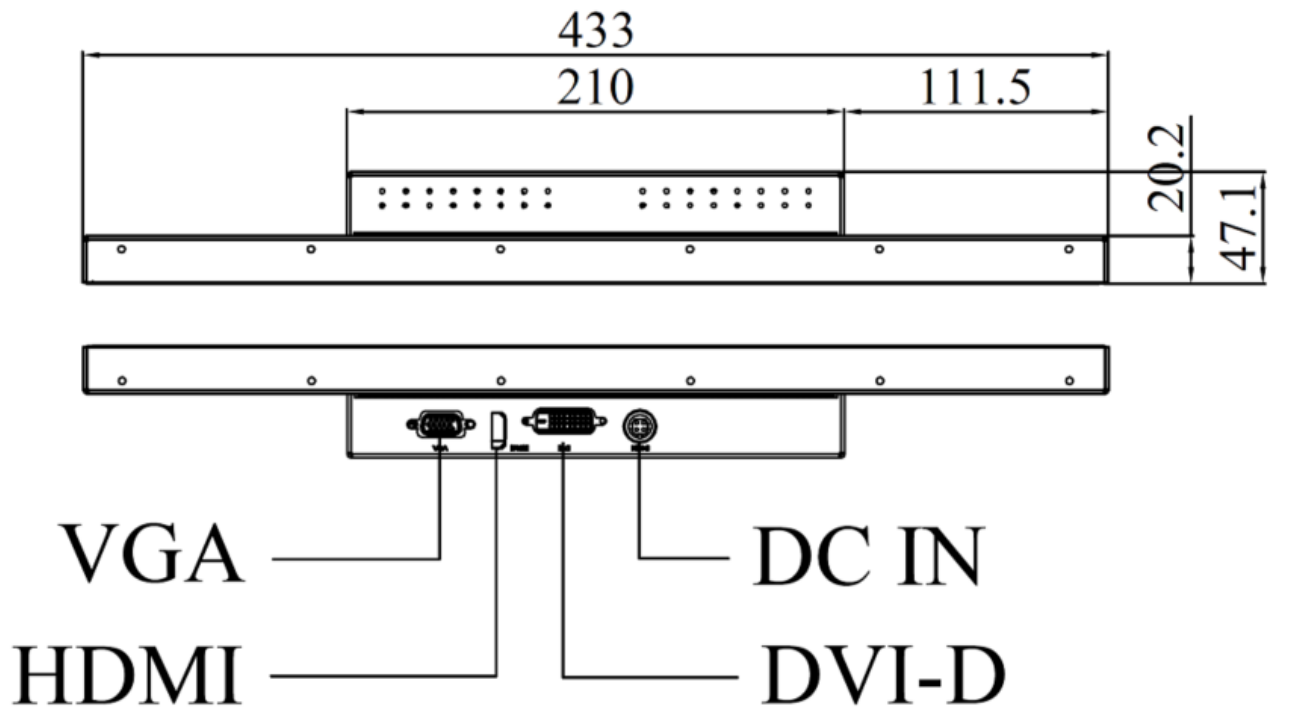


## Mechanical Drawing

### Outline Dimensions

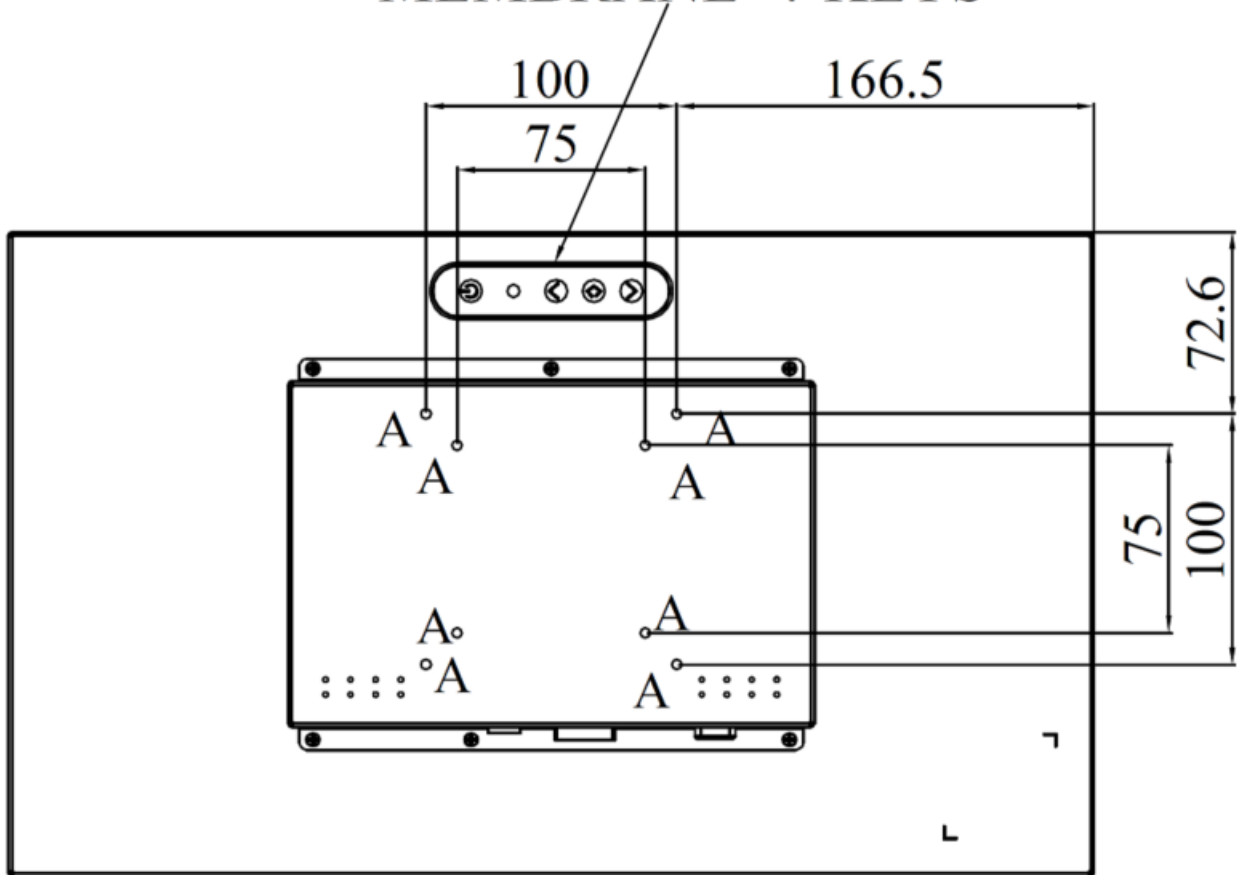
Unit: mm







## MEMBRANE 4-KEYS



### NOTE :

O.D. : OUTLINE DIMENSION

B.O. : BEZEL OPENING

A.A. : ACTIVE AREA

A : 4-M4\_USER HOLE\_MAX Depth=4mm

### Ordering Information

| Part Number     | Description  |
|-----------------|--|
| ULO1853-AHB-Q11 | 18.5",500 nits,1920x1080,T2070,AD8891GDH,O/B,DC12V,5in1,V1 |

### Optional Accessories

| Part Number  | Description                          |
|--------------|--------------------------------------|
| 941238611001 | MSF,ULO,2386,PANEL BRACKET*2,SCREW*6 |
| 810618301010 | CABLE,POWER,AC,1830mm USA type       |
| 810618301090 | CABLE,POWER,AC,1830mm Europe type    |
| 810618301050 | CABLE,POWER,AC,1830mm UK type        |
| 810618301170 | CABLE,POWER,AC,1830mm Australia type |
| 810618301031 | CABLE,POWER,AC,1830mm Japan type     |

### Customer request

|       |                                       |
|-------|---------------------------------------|
| Touch | SCT (Single-Touch), PCT (Multi-Touch) |
| Glass | Tempered glass, AR coating.....       |