



ULO1215-N 12.1" TFT LCD, 1000 nits LED Backlight, 1024x768

The ULO1215-N is a 12.1 inch industrial grade sunlight readable LCD, with high brightness 1000 nits, it produce sharp images, crisp text and lifelike colors. The Ubipixel LED backlight technology ensures high reliability and low power consumption, suitable for outdoor application, kiosk, factory automation, military, transportation and gaming application.

Key Features

- High Brightness 1000 nits
- Sunlight Readable
- Wide Temperature (-20 °C ~70 °C)
- Wide Viewing Angle
- Low Power Consumption
- BL MTBF: 100,000 hours



Specifications

Model Name	ULO1215-N
Description	12.1" TFT LCD, 1000 nits LED Backlight, 1024x768
Screen Size	12.1"
Display Area (mm)	245.760(H) x 184.320(V)
Brightness	1000 cd/m ²
Resolution	1024x768
Aspect Ratio	4 : 3
Contrast Ratio	1000 : 1
Pixel Pitch (mm)	0.24(H) x 0.24(V)
Pixel Per Inch (PPI)	106
Viewing Angle	178°(H),178°(V)
Color Saturation (NTSC)	81%
Display Colors	16.7M
Response Time (Typical)	25ms
Panel Interface	LVDS
Input Interface	VGA, DVI-D, HDMI
Input Power	DC12V
Power Consumption	13.5W
OSD Key	4 Keys (Power Switch, Menu, +, -)
OSD Control	Brightness, Color, Contrast, Auto Turing, H/V Position...etc
Dimensions (mm)	263.10 x 206.60 x 47.00 mm
Bezel Size(U/B/L/R)	12.54/9.74/9.42/7.92 mm
Weight (Net)	1.27 kg
Mounting	75x75
Operating Temperature	-20 °C ~ 70 °C
Storage Temperature	-20 °C ~ 70 °C

ULO= Panel + LED Driving Board + AD Control Board + Housing

Specifications are subject to change without notice.

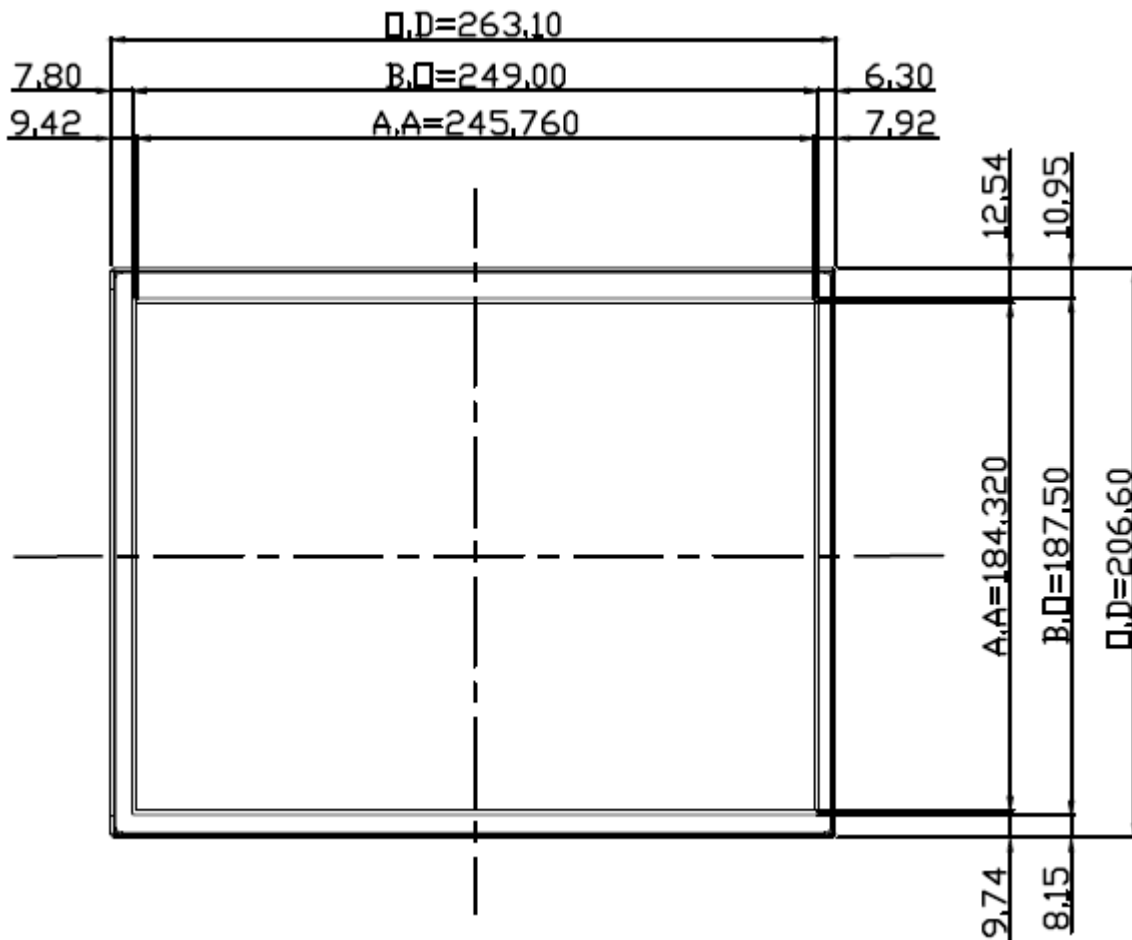
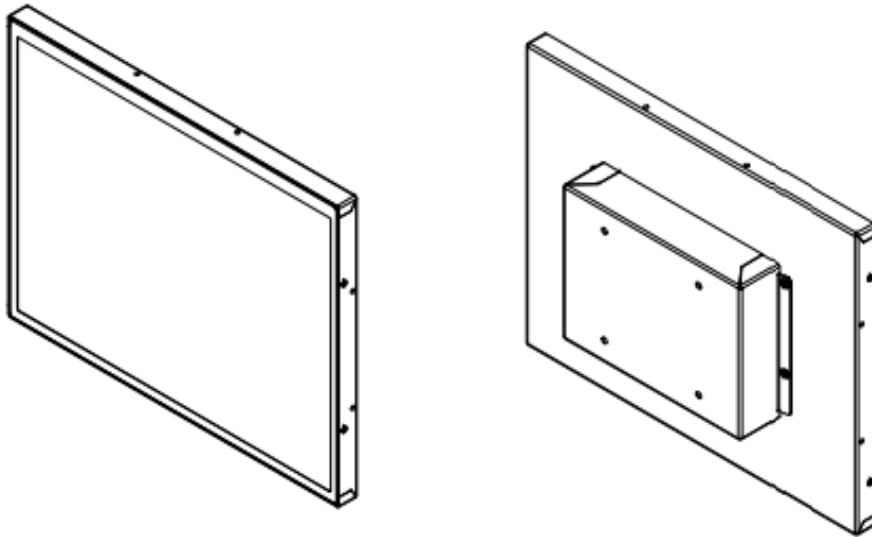
All brands or product names are trademarks or registered trademarks of their respective companies.

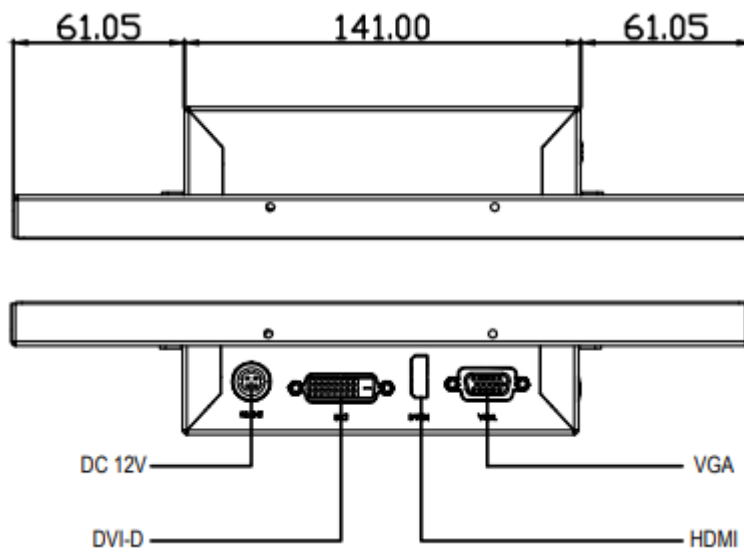
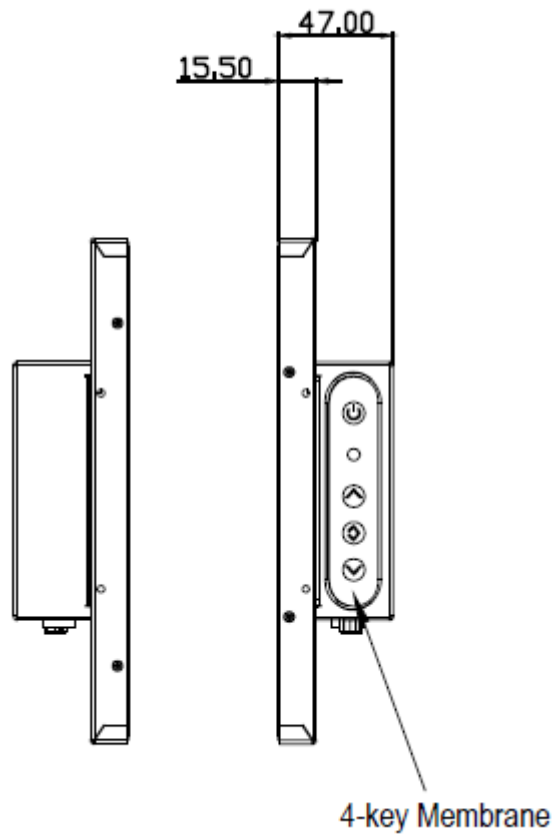


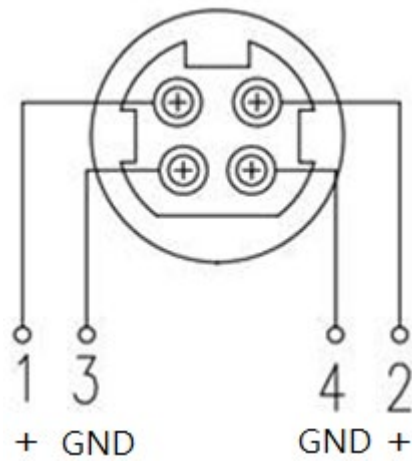
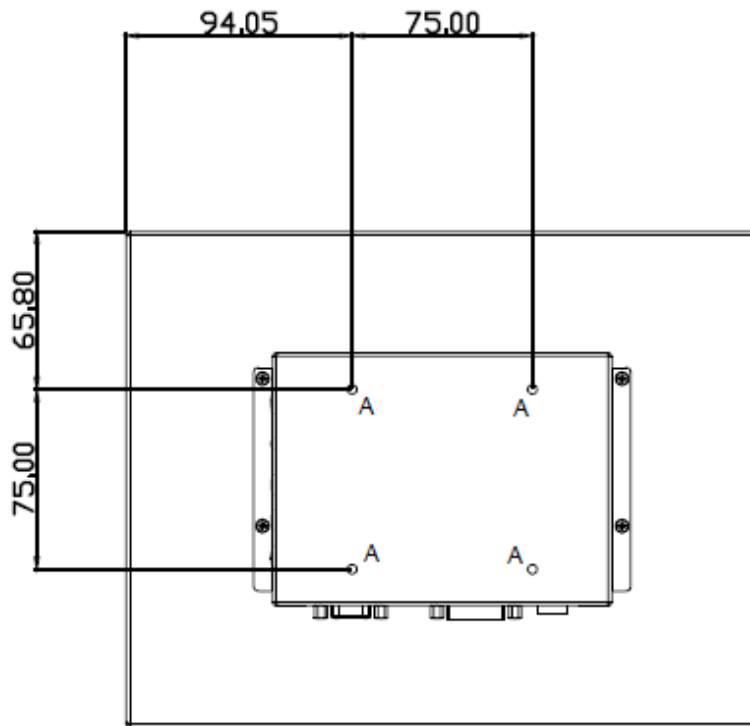
Mechanical Drawing

Outline Dimensions

Unit: mm







Note : O.D. : Outline Dimension
 B.O. : Bezel Opening
 A.A. : LCD Active Area
 A : 4-M4_USER HOLE_MAX_DEPTH=4mm



Ordering Information

Part Number	Description
ULO1215-NXB-Q11	12.1",1000nits,1024x768,T2070,LID12C,AD8891GDH,O/B,DC12V,5in1,V1

Optional Accessories

Part Number	Description
941121311001	MSF,ULO,1213.PANEL BRACKET*2 & SCREW*4
810618301010	CABLE,POWER,AC,1830mm USA type
810618301090	CABLE,POWER,AC,1830mm Europe type
810618301050	CABLE,POWER,AC,1830mm UK type
810618301170	CABLE,POWER,AC,1830mm Australia type
810618301031	CABLE,POWER,AC,1830mm Japan type

Customer request

Touch	SCT (Single-Touch), PCT (Multi-Touch)
Glass	Tempered glass, AR coating.....