



ULD0843-T 8.4" TFT LCD, 600nits LED Backlight, 1024x768

The ULD0843-T is a 8.4 inch industrial grade LCD, with high brightness 600 nits, it produce sharp images, crisp text and lifelike colors. The Ubipixel LED backlight technology ensures high reliability and low power consumption, suitable for outdoor application, kiosk, factory automation, military, transportation and gaming application.

Key Features

- High Brightness 600 nits
- LED Backlight
- Low Power Consumption
- Wide Temperature (-20 °C ~ 70 °C)
- BL MTBF: 50,000 hours



Specifications

Model Name	ULD0843-T
Description	8.4" TFT LCD, 600nits LED Backlight, 1024x768
Screen Size	8.4"
Display Area (mm)	170.496(H) x 127.872(V)
Brightness	600 cd/m ²
Resolution	1024x768
Aspect Ratio	4:3
Contrast Ratio	1600 : 1
Pixel Pitch (mm)	0.1665(H) x 0.1665(V)
Pixel Pre Inch (PPI)	152
Viewing Angle	176°(H),176°(V)
Color Saturation (NTSC)	81%
Display Colors	16.7M
Response Time (Typical)	25ms
Panel Interface	LVDS
Input Interface	VGA, DVI-D, HDMI
Input Power	DC12V
Power Consumption	6.5W
OSD Key	4 Keys (Power Switch, Menu, +, -)
OSD Control	Brightness, Color, Contrast, Auto Turing, H/V Position...etc
Dimensions (mm)	202.1(H) x 151.6(V) x 44.8(T)
Bezel Size(U/B/L/R)	12.1/11.6/15.8/15.8 mm
Weight (Net)	0.9kg
Mounting	75x75mm
Operating Temperature	-20 °C ~ 70 °C
Storage Temperature	-20 °C ~ 70 °C

ULD= Panel + LED Driving Board + AD Control Board + Chassis

Specifications are subject to change without notice.

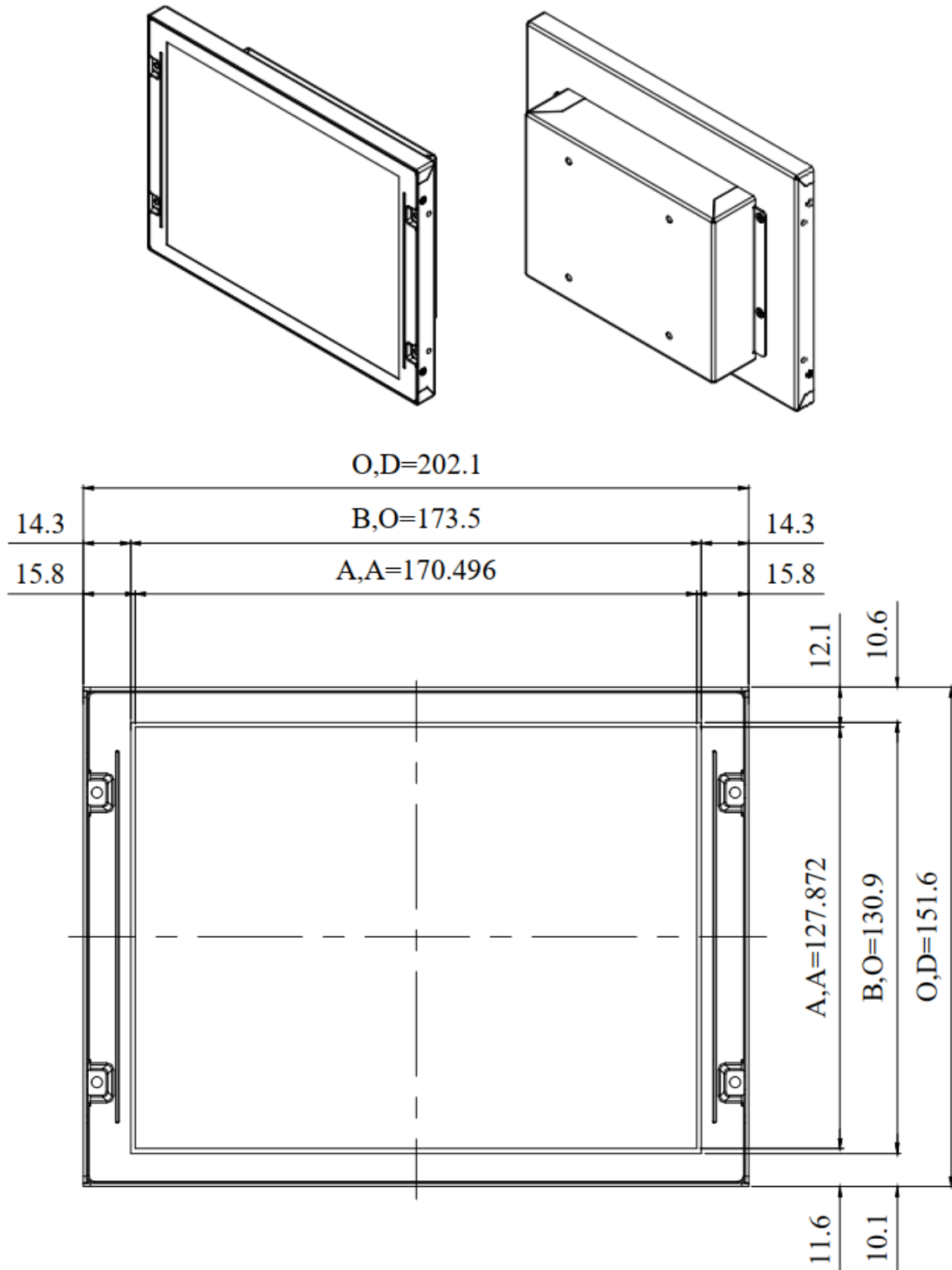
All brands or product names are trademarks or registered trademarks of their respective companies.

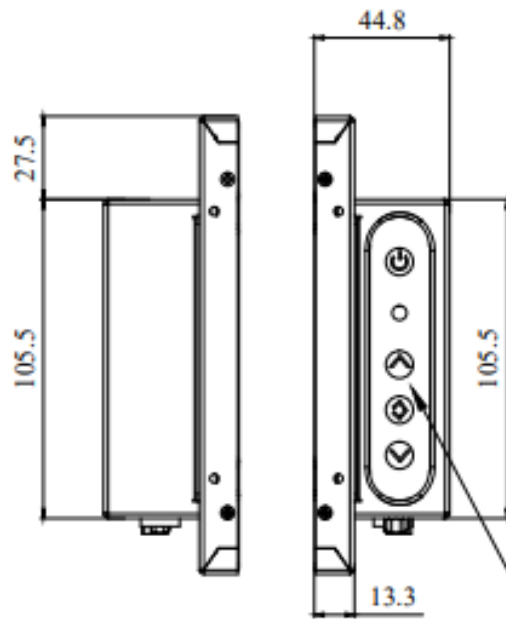


Mechanical Drawing

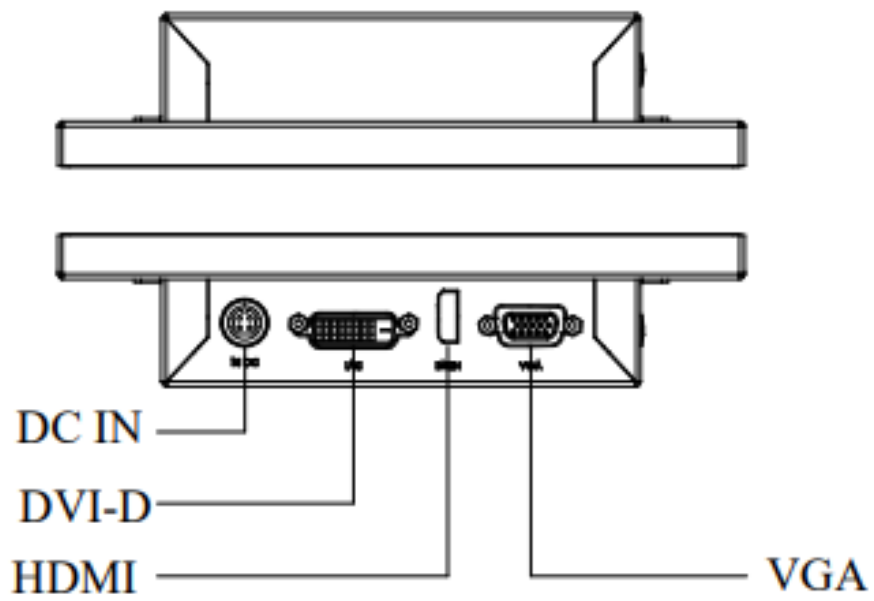
Outline Dimensions

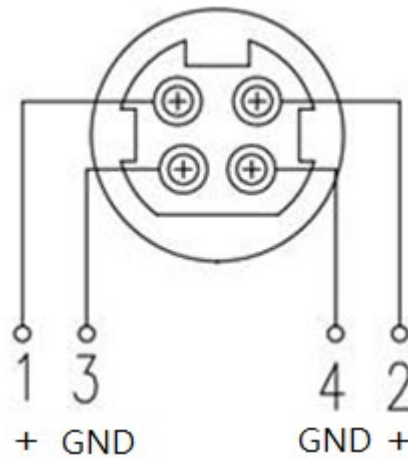
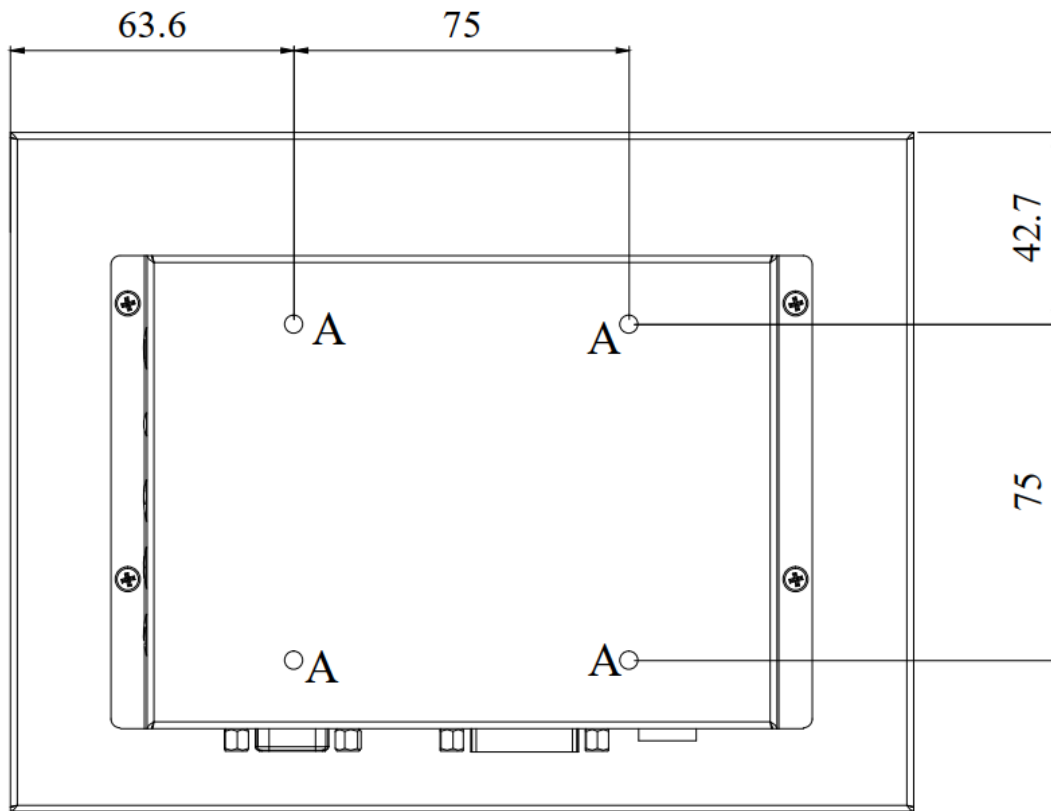
Unit:mm





MEMBRANE 4-KEYS





NOTE :

O.D. : OUTLINE DIMENSION

B.O. : BEZEL OPENING

A.A. : LCD ACTIVE AREA

A : 4-M4_USER HOLE_MAX Depth=4mm



Ordering Information

Part Number	Description
ULD0843-TXB-Q11	8.4",600nits,1024x768,T2070,LID on LCM,AD8891GDH,O/B,DC12V,5in1,V1

Optional Accessories

Part Number	Description
942084511001	MSF,ULD,0845,PANEL BRACKET*2 & SCREW*4
810618301010	CABLE,POWER,AC,1830mm USA type
810618301090	CABLE,POWER,AC,1830mm Europe type
810618301050	CABLE,POWER,AC,1830mm UK type
810618301170	CABLE,POWER,AC,1830mm Australia type
810618301031	CABLE,POWER,AC,1830mm Japan type

Customer request

Touch	SCT (Single-Touch), PCT (Multi-Touch)
Glass	Tempered glass, AR coating.....