



ULD0705-T 7" TFT LCD, 1000 nits LED Backlight, 1280x800

The ULD0705-T is a 7 inch industrial grade sunlight readable LCD, with high brightness 1000 nits, it produce sharp images, crisp text and lifelike colors. The Ubipixel LED backlight technology ensures high reliability and low power consumption, suitable for outdoor application, kiosk, factory automation, military, transportation and gaming application.

Key Features

- High Brightness 1000 nits
- LED Backlight
- Sunlight Readable
- Wide Temperature (-20 °C ~70 °C)
- Low Power Consumption
- BL MTBF: 100,000 hours



Specifications

Model Name	ULD0705-T
Description	7" TFT LCD, 1000 nits LED Backlight, 1280x800
Screen Size	7"
Display Area (mm)	149.76(H) x 93.60(V)
Brightness	1000 cd/m ²
Resolution	1280x800
Aspect Ratio	16 : 10
Contrast Ratio	900 : 1
Pixel Pitch (mm)	0.117(H) x 0.117(V)
Pixel Per Inch (PPI)	216
Viewing Angle	176°(H),176°(V)
Color Saturation (NTSC)	60%
Display Colors	16.7M
Response Time (Typical)	35ms
Panel Interface	LVDS
Input Interface	VGA, DVI-D, HDMI
Input Power	DC12V
Power Consumption	5W
OSD Key	4 Keys (Power Switch, Menu, +, -)
OSD Control	Brightness, Color, Contrast, Auto Turing, H/V Position...etc
Dimensions (mm)	163.6 x 109.6 x 42.8 mm
Bezel Size(U/B/L/R)	11/5/8.67/5.17 mm
Weight (Net)	0.55kg
Mounting	75 x 75
Operating Temperature	-20 °C ~ 70 °C
Storage Temperature	-20 °C ~ 70 °C

ULD= Panel + LED Driving Board + AD Control Board + Housing

Specifications are subject to change without notice.

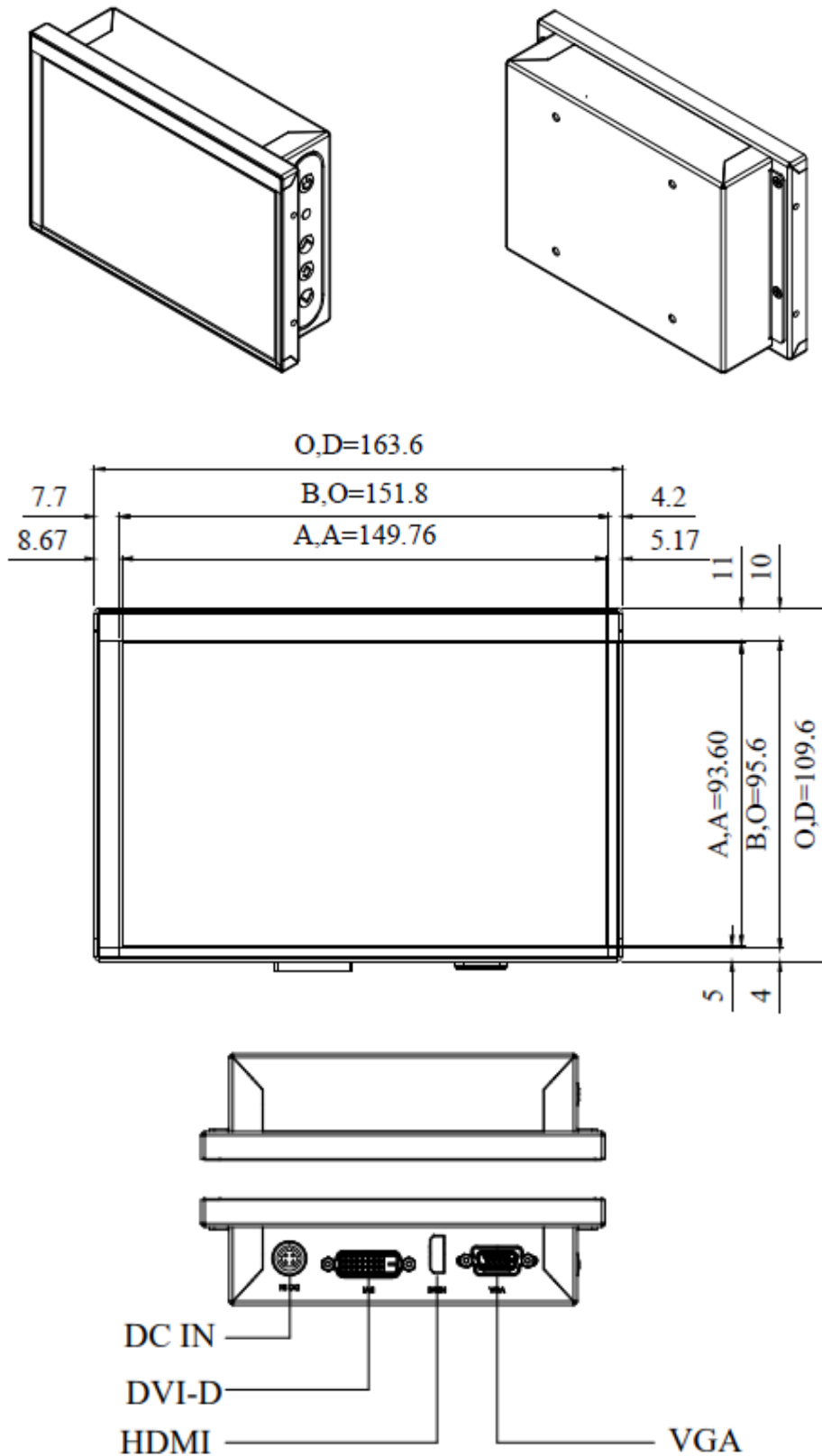
All brands or product names are trademarks or registered trademarks of their respective companies.

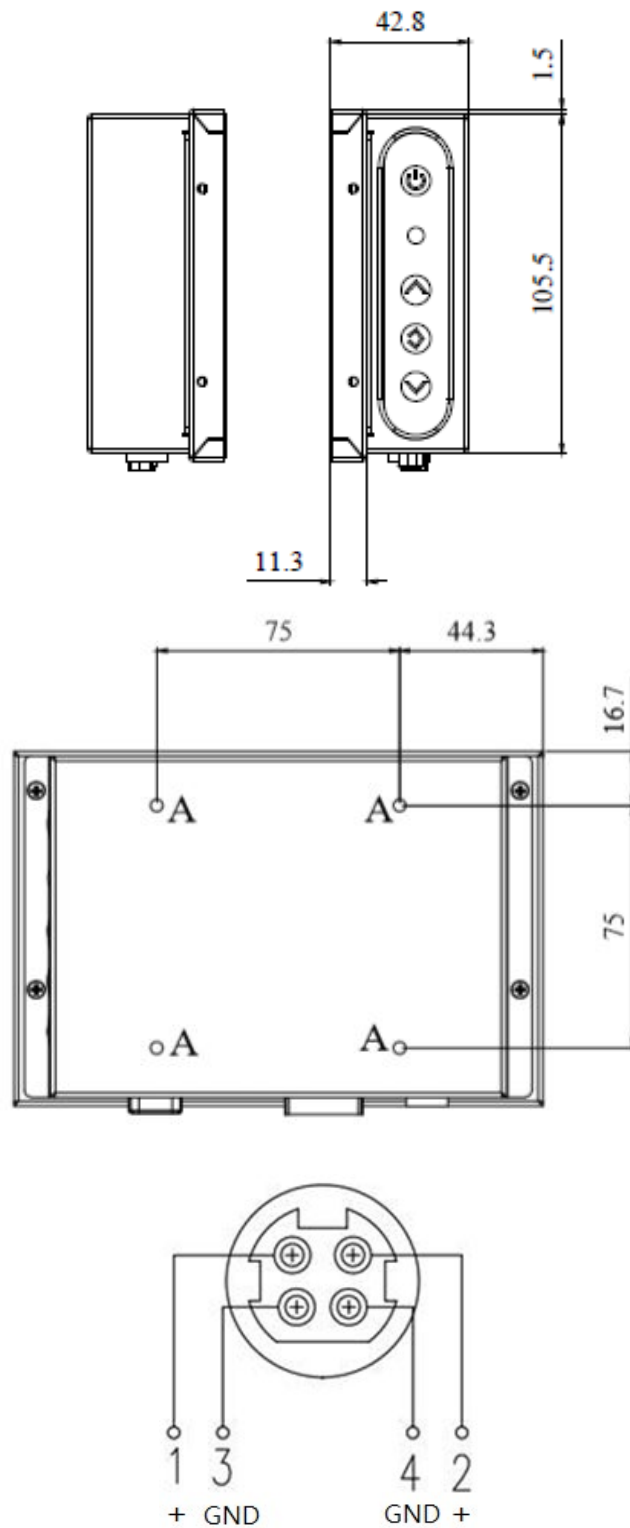


Mechanical Drawing

Outline Dimensions

Unit: mm





NOTE :

O.D. : OUTLINE DIMENSION

B.O. : BEZEL OPENING

A.A. : LCD ACTIVE AREA

A : 4-M4_USER HOLE_MAX Depth=4mm



Ordering Information

Part Number	Description
ULD0705-TNB-Q01	7",1000nits,1280x800,T2070,LID7C,AD8891GDH,O/B,DC12V,5in1,V1

Optional Accessories

Part Number	Description
942084511001	MSF,ULD,0845,PANEL BRACKET*2 & SCREW*4
810618301010	CABLE,POWER,AC,1830mm USA type
810618301090	CABLE,POWER,AC,1830mm Europe type
810618301050	CABLE,POWER,AC,1830mm UK type
810618301170	CABLE,POWER,AC,1830mm Australia type
810618301031	CABLE,POWER,AC,1830mm Japan type

Customer request

Touch	SCT (Single-Touch), PCT (Multi-Touch)
Glass	Tempered glass, AR coating.....