



**SSD2203-Y**  
**22" LCD, LED backlight, 500nits, FHD(1920x1920)**

The SSD2203-Y is a 22 inch color TFT-LCD display with special aspect ratio 1:1 and wide resolution 1920 x 1920. It is Litemax's Spanpixel series product which designed for high brightness with power efficiency LED backlight. It provides LCD panel with specific aspect ratios and sunlight readable for digital signage, public transportation, exhibition hall, department store, and vending machine.

**Key Features**

- Sunlight Readable
- Aspect ratio 1:1
- LED Backlight
- Low Power Consumption
- Slim Bezel
- Wide viewing angle 178°(H)~178°(V)



**Specifications**

<b>Model Name</b>	<b>SSD2203-Y</b>
<b>Description</b>	22" TFT LCD, 500nits LED backlight , 1920x1920
<b>Screen Size</b>	22"
<b>Display Area (mm)</b>	394.56(H) x 394.56(V)
<b>Brightness</b>	500 cd/m <sup>2</sup>
<b>Resolution</b>	1920x1920
<b>Aspect Ratio</b>	1 : 1
<b>Contrast Ratio</b>	650 : 1
<b>Pixel Pitch (mm)</b>	0.2055(H) x 0.2055(V)
<b>Pixel Per Inch (PPI)</b>	123
<b>Viewing Angle</b>	178°(H),178°(V)
<b>Color Saturation (NTSC)</b>	80%
<b>Display Colors</b>	16.7M
<b>Response Time (Typical)</b>	8ms
<b>Panel Interface</b>	LVDS
<b>AD Board Input Interface</b>	Dual-DVI, HDMI, DP
<b>Input Power</b>	DC12V
<b>Power Consumption</b>	35.8W
<b>OSD Key</b>	5 Keys (Power Switch, Menu, +, Exit, -)
<b>OSD Control</b>	Brightness, Color, Contrast, Auto Turing, H/V Position...etc
<b>Dimensions (mm)</b>	412.4x412.4x51.6
<b>Bezel Size(U/B/L/R)</b>	6.9/6.9/6.9/6.9 mm
<b>Weight (Net)</b>	4.5kg
<b>Mounting</b>	200X200
<b>Operating Temperature</b>	0 °C ~ 50 °C
<b>Storage Temperature</b>	-20 °C ~ 60 °C

**SSD= Panel + LED Driving Board + AD Control Board + Chassis**

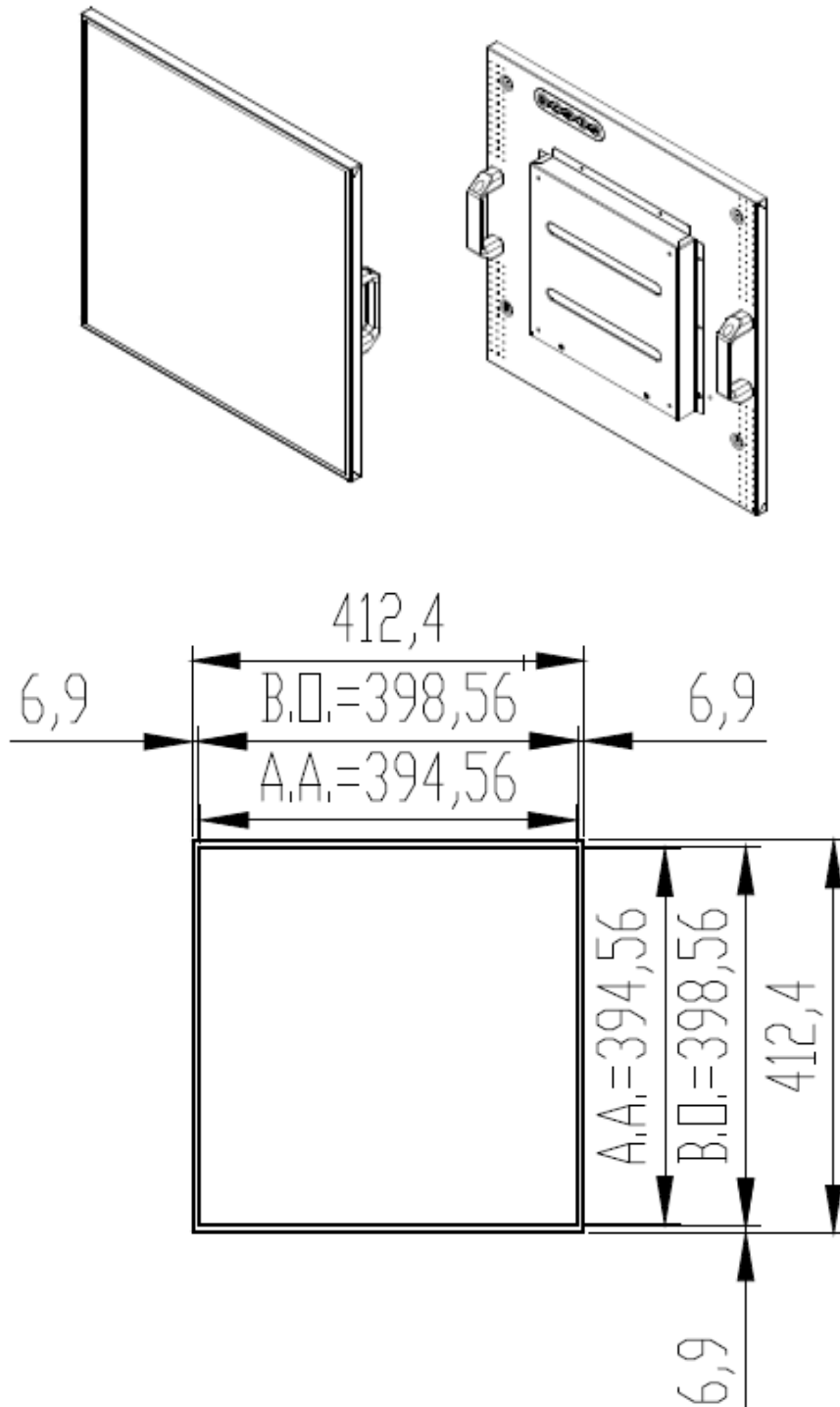
Specifications are subject to change without notice.  
 All brands or product names are trademarks or registered trademarks of their respective companies.

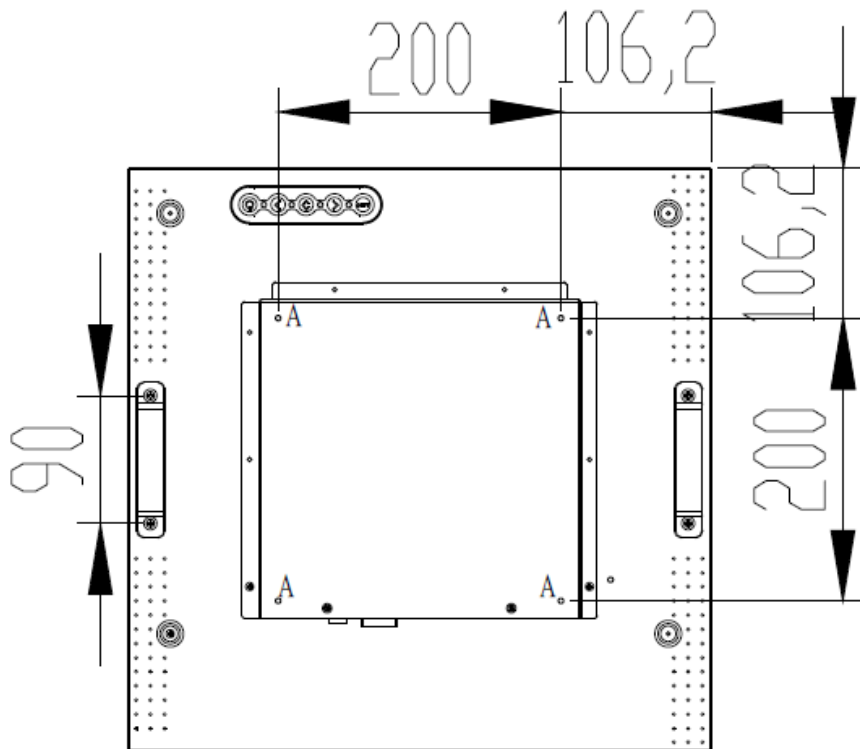
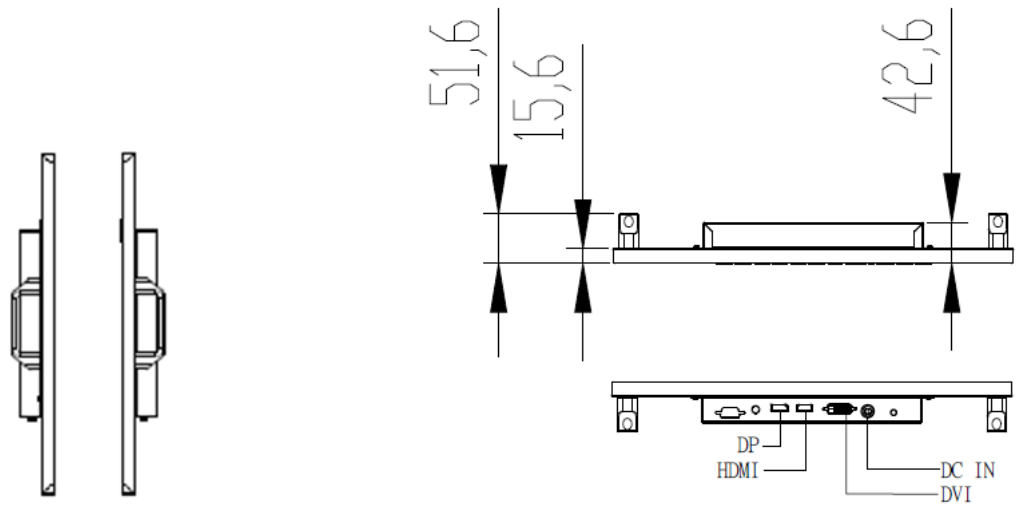


## Mechanical Drawing

### Outline Dimensions

Unit:mm





A : 4-M4\_USER HOLE\_MAX. DEPTH=8mm



### Ordering Information

Part Number	Description
SSD2203-YNB-M01	22",500nits,1920x1920,LID22C,AD9131DHP,O/B,DC12V,3in1,V1

### Optional Accessories

Part Number	Description
840612031101	ADAPTER.12V.3.33A.40W.G99-KPL040F-N051.DC Plug 2.1*5.5,P
810618301010	CABLE.POWER.AC.1830mm USA type
810618301090	CABLE,POWER,AC,1830mm Europe type
810618301050	CABLE.POWER.AC.1830mm UK type
810618301170	CABLE.POWER,AC,1830mm Australia type
810618301031	CABLE.POWER.AC.1830mm Japan type

### Customer request

Touch	SCT (Single-Touch), PCT (Multi-Touch)
Glass	Tempered glass, AR coating.....