



SLD1968 V1

19" TFT LCD Display, LED Backlight, 1600nits, SXGA(1280x1024)

19" TFT LCD panel, built-in 1600 nits high bright for sunlight readable LCD display, high transmittance color filter, high transmission polarizing plates, Low Power Consumption, suitable for kiosk, advertising, POS, marine, transportation, gaming, studio display, gas pump.

Key Features

- Sunlight Readable
- LED Backlight
- SXGA(1280x1024) High Definition
- High Shock & Vibration Resistance
- Smart Panel design.
- High Uniformity
- Low EMI Noise
- Wide Dimming
- Life Expectancy



Specifications

Ver3

Model No.	SLD1968 V1
Description	19" TFT LCD Display, LED Backlight, 1600nits, SXGA(1280x1024)
Display Area (mm)	376.3(H) x 301 mm
Brightness	1600 cd/m ²
Resolution	1280x1024 (SXGA)
Contrast Ratio	1000 : 1
Pixel Pitch (mm)	0.294(H) x 0.294(V)
Viewing Angle	+85°~-85°(H), +80°~-80°(V)
Display Colors	16.7M
Response Time (Typical)	5ms
Sync	LVDS
Power Consumption	31W
Dimensions (mm)	396x326x35.9mm
Weight (Net)	2.7kg
LED Driving Board	LID19A09
Control Board (Optional)	<input type="checkbox"/> AD5621GA <input type="checkbox"/> AD5621GD <input type="checkbox"/> AD2662GDVAR <input type="checkbox"/> AD2662GDHMVAR
<input type="checkbox"/> AD6038GA	VGA+Audio
<input type="checkbox"/> AD6038GD	VGA+DVI
<input type="checkbox"/> AD2662GDVAR	VGA+DVI (Optional S-Video/ Component / Audio)
<input type="checkbox"/> AD2662GDHMVAR	VGA (Optional DVI-D / HDMI / S-Video/ Component / Audio)
F / R Control Button	<input type="checkbox"/> 5 Key <input type="checkbox"/> 4 Key
<input type="checkbox"/> 5 Key	Power Switch, Menu, Select (+,-), Auto
<input type="checkbox"/> 4 Key	Power Switch, Menu, Select (+,-),
OSD Menu	Brightness, Contrast, H/V Position, Color, Phase, Clock...
Optional	<input type="checkbox"/> AOT <input type="checkbox"/> Touch Screen

Specifications are subject to change without notice.

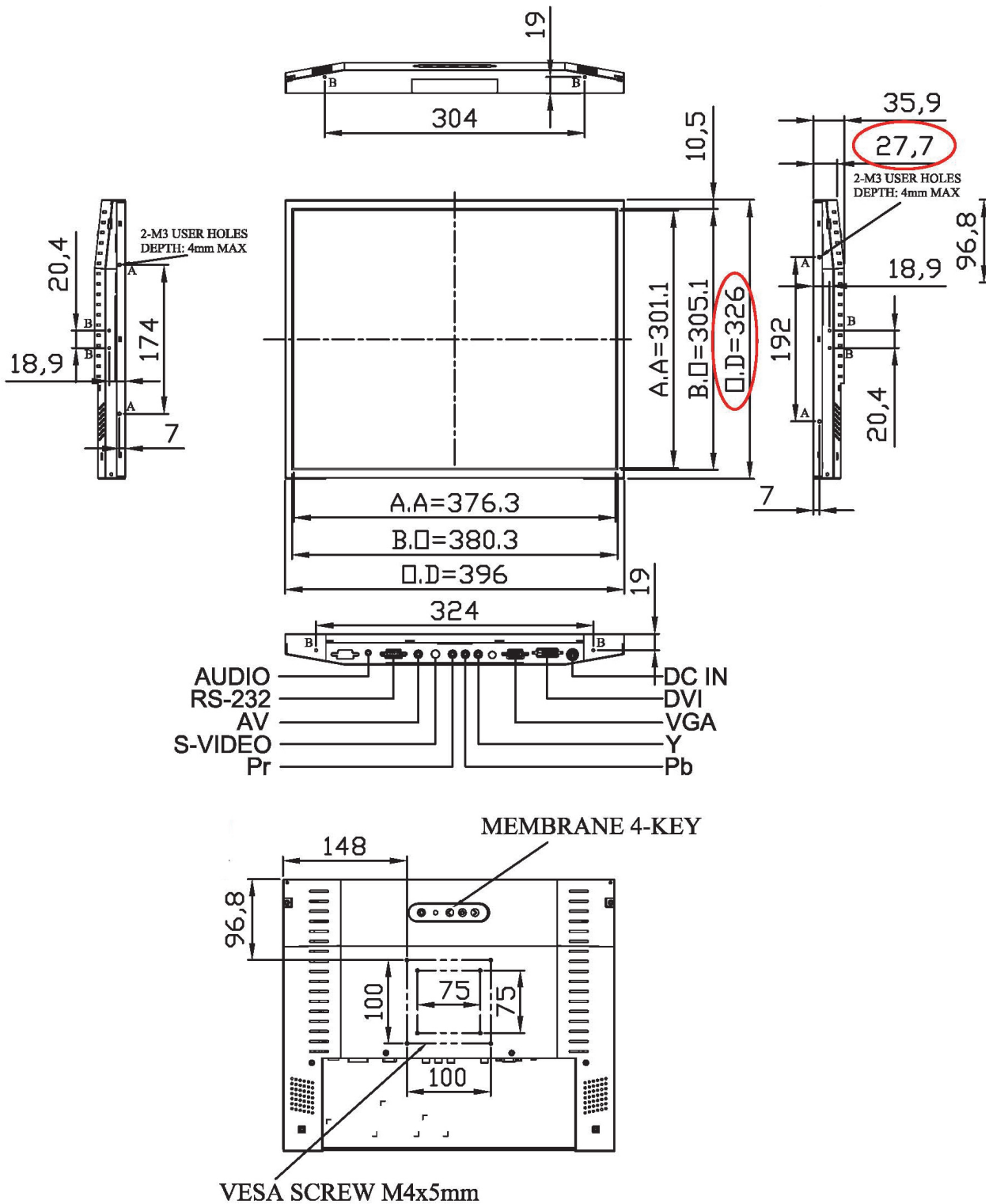
All brands or product names are trademarks or registered trademarks of their respective companies.

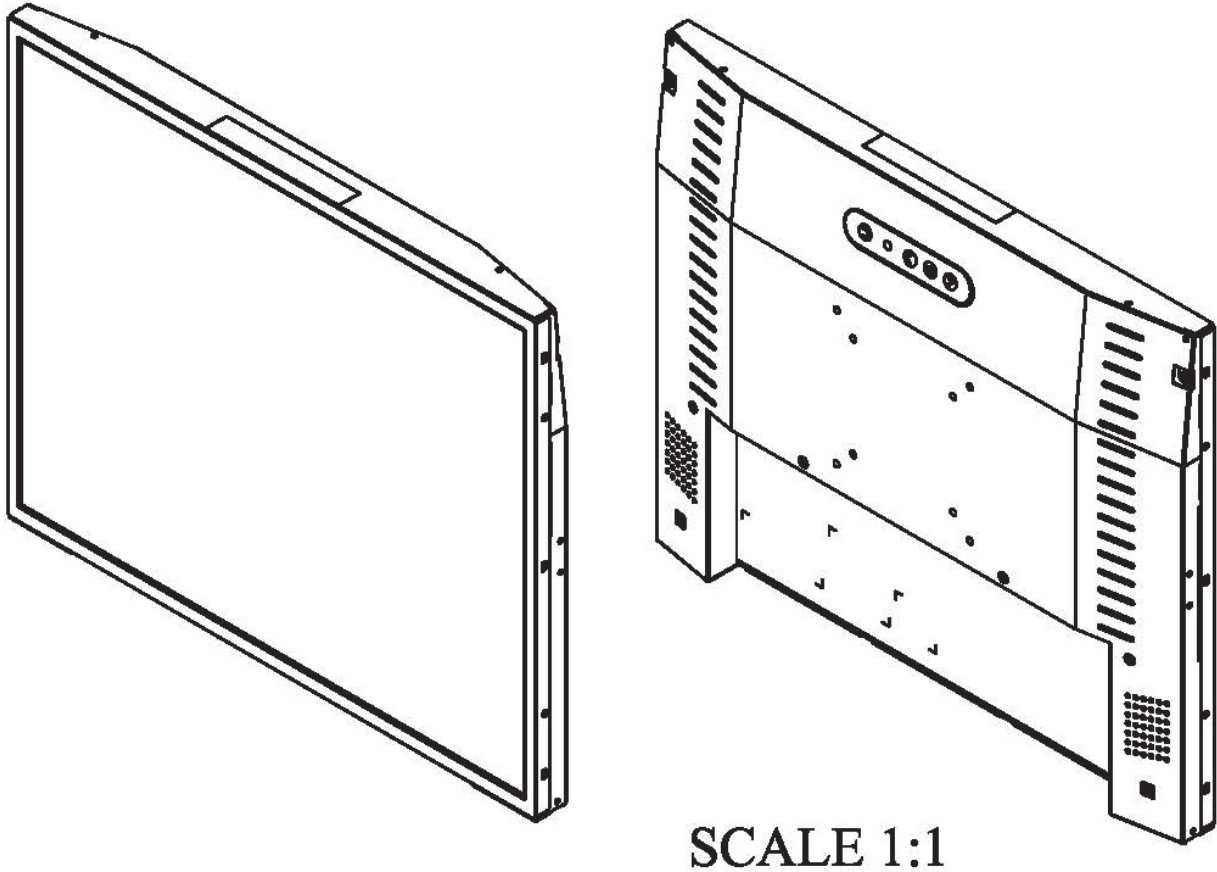


Mechanical Drawing

Outline Dimensions

Unit: mm





Ordering Information

Part Number	Description
SLD1968-ENB-G11	19",1600nits,SXGA,LID19A09,AD2662GD,O/B,V02(2 in 1)

Optional Accessories

Part Number	Description
840612051210	ADAPTER,AC/DC,12V/5.4A,65W,Atech OEM A065112-TDx.4P,P
810618301010	CABLE.POWER.AC.1830mm USA type
810618301090	CABLE,POWER,AC,1830mm Europe type
810618301050	CABLE.POWER.AC.1830mm UK type
810618301170	CABLE.POWER,AC,1830mm Australia type
810618301030	CABLE.POWER.AC.1830mm Japan type