



**DLD1566-I**  
**15.6" TFT LCD, 1200nits LED Backlight, 1920x1080**

The **DLD1566-I** is a 15.6 inch industrial grade sunlight readable LCD, with high brightness 1200 nits and high color saturation, it produces sharp images, crisp text and lifelike colors. The Durapixel LED backlight technology ensures high reliability and low power consumption, suitable for outdoor application, kiosk, factory automation, military, transportation and gaming application.

**Key Features**

- High Brightness 1200 nits
- Sunlight Readable
- LED Backlight
- Low Power Consumption
- Wide Temperature (-30 °C ~ 70 °C)
- BL MTBF: 100,000 hours



**Specifications**

<b>Model Name</b>	<b>DLD1566-I</b>
<b>Description</b>	15.6" TFT LCD, 1200 nits LED Backlight, 1920x1080
<b>Screen Size</b>	15.6"
<b>Display Area (mm)</b>	344.16(H) x 193.59(V)
<b>Brightness</b>	1200 cd/m <sup>2</sup>
<b>Resolution</b>	1920x1080
<b>Aspect Ratio</b>	16 : 9
<b>Contrast Ratio</b>	1200 : 1
<b>Pixel Pitch (mm)</b>	0.17925(H) x 0.17925(V)
<b>Pixel Pre Inch (PPI)</b>	141
<b>Viewing Angle</b>	170°(H),170°(V)
<b>Color Saturation (NTSC)</b>	82%
<b>Display Colors</b>	16.2M
<b>Response Time (Typical)</b>	25ms
<b>Panel Interface</b>	LVDS
<b>AD Board Input Interface</b>	DVI-I, HDMI, DP
<b>Input Power</b>	DC12V
<b>Power Consumption</b>	19W
<b>OSD Key</b>	4 Keys (Power Switch, Menu, +, -)
<b>OSD Control</b>	Brightness, Color, Contrast, Auto Turing, H/V Position...etc
<b>Dimensions (mm)</b>	369 x 221.1 x 40.2
<b>Bezel Size(U/B/L/R)</b>	13.03/13.03/11.68/11.68 mm
<b>Mounting</b>	75x75
<b>Weight (Net)</b>	2.8kg
<b>Operating Temperature</b>	-30 °C ~ 70 °C
<b>Storage Temperature</b>	-40 °C ~ 70 °C

**DLD**= Panel + LED Driving Board + AD Control Board + Chassis

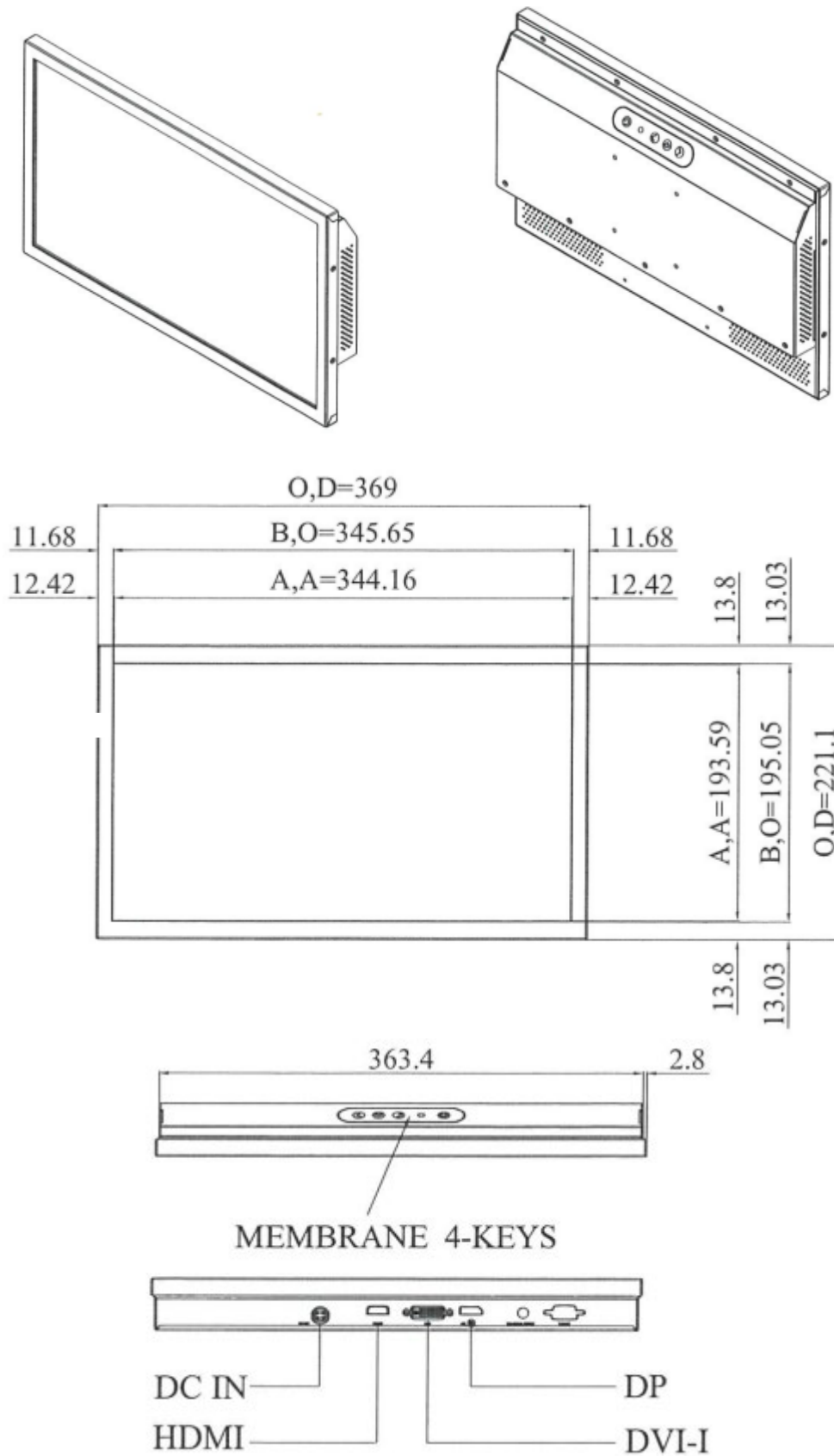
Specifications are subject to change without notice.  
 All brands or product names are trademarks or registered trademarks of their respective companies.

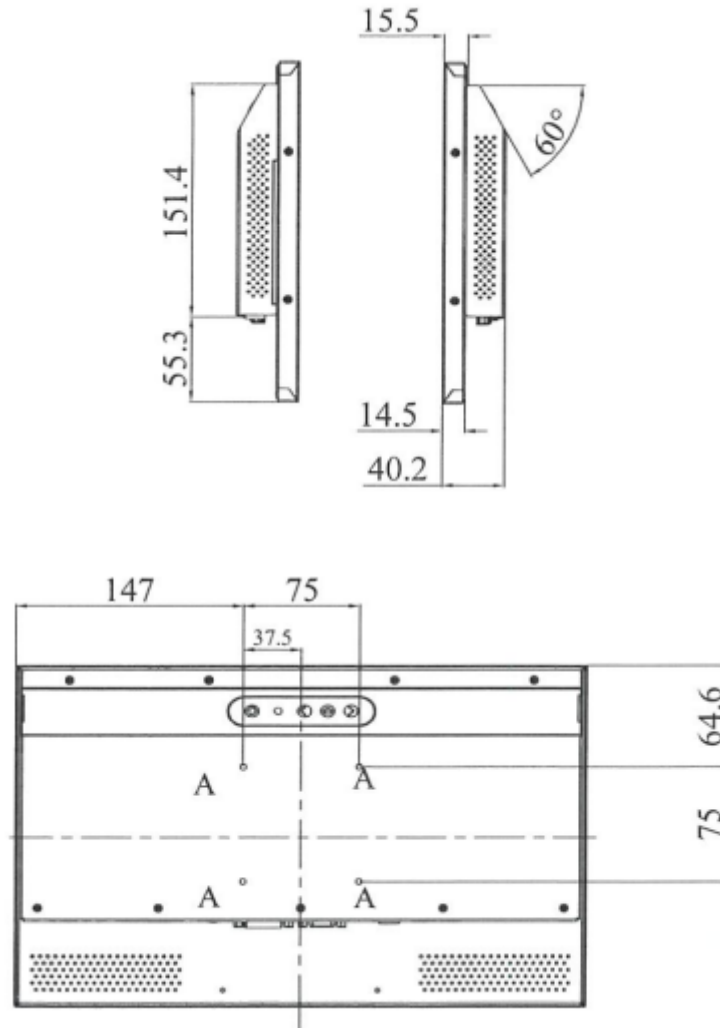


## Mechanical Drawing

### Outline Dimensions

Unit:mm





**NOTE :**

O.D. : OUTLINE DIMENSION

B.O. : BEZEL OPENING

A.A. : LCD ACTIVE AREA

A : 4-M4\_USER HOLE\_MAX Depth=4mm



### Ordering Information

Part Number	Description
<b>DLD1566-INB-Q01</b>	15.6",1200nits,1920x1080,T3070,LID15C,AD8891DPH,OB,DC12V,3in1,V1

### Optional Accessories

Part Number	Description
<b>810618301010</b>	CABLE.POWER.AC.1830mm USA type
<b>810618301090</b>	CABLE,POWER,AC,1830mm Europe type
<b>810618301050</b>	CABLE.POWER.AC.1830mm UK type
<b>810618301170</b>	CABLE.POWER,AC,1830mm Australia type
<b>810618301031</b>	CABLE.POWER.AC.1830mm Japan type

### Customer request

<b>Touch</b>	PCT (Multi-Touch)
<b>Glass</b>	Tempered glass, AR coating.....