



DLF/DLH1335-A V1

13.3" TFT LCD, LED Backlight 1000nits, 1920x1080

The DLF/DLH1335-A is a 13.3 inch industrial grade sunlight readable LCD, with high brightness 1000 nits and high color saturation, it produce sharp images, crisp text and lifelike colors. The Durapixel LED backlight technology ensures high reliability and low power consumption, suitable for outdoor application, kiosk, factory automation, military, transportation and gaming application.

Key Features

- High Brightness 1000 nits
- Sunlight Readable
- LED Backlight
- Low Power Consumption
- Wide Operation Temperature
- BL MTBF: 100,000 hours



Specifications

Model Name	DLF/DLH1335-A V1
Description	13.3" TFT LCD, LED Backlight 1000 nits, 1920x1080
Screen Size	13.3"
Display Area (mm)	293.47(H) x 165.08(V)
Brightness	1000 cd/m ²
Resolution	1920x1080
Aspect Ratio	16 : 9
Contrast Ratio	1000 : 1
Pixel Pitch (mm)	0.15285(H) x 0.15285(V)
Pixel Pre Inch (PPI)	166
Viewing Angle	178°(H),178°(V)
Color Saturation (NTSC)	87%
Display Colors	16.7M
Response Time (Typical)	25ms
Panel Interface	LVDS
AD Board Input Interface	VGA, DVI-I, HDMI, DP
AD Board Input Power	DC12V
Power Consumption	11W, 15.5W (with AD board)
OSD Key	4 Keys (Power Switch, Menu, +, -)
OSD Control	Brightness, Color, Contrast, Auto Turing, H/V Position...etc
Dimensions (mm)	309.7 x 184.1 x 9.6
Bezel Size(U/B/L/R)	5.77/11.65/7.31/7.31 mm
Weight (Net)	0.8kg
Operating Temperature	-20 °C ~ 70 °C
Storage Temperature	-20 °C ~ 70 °C

DLF= Panel + LED Driving Board

DLH= Panel + LED Driving Board + AD Control Board

Specifications are subject to change without notice.

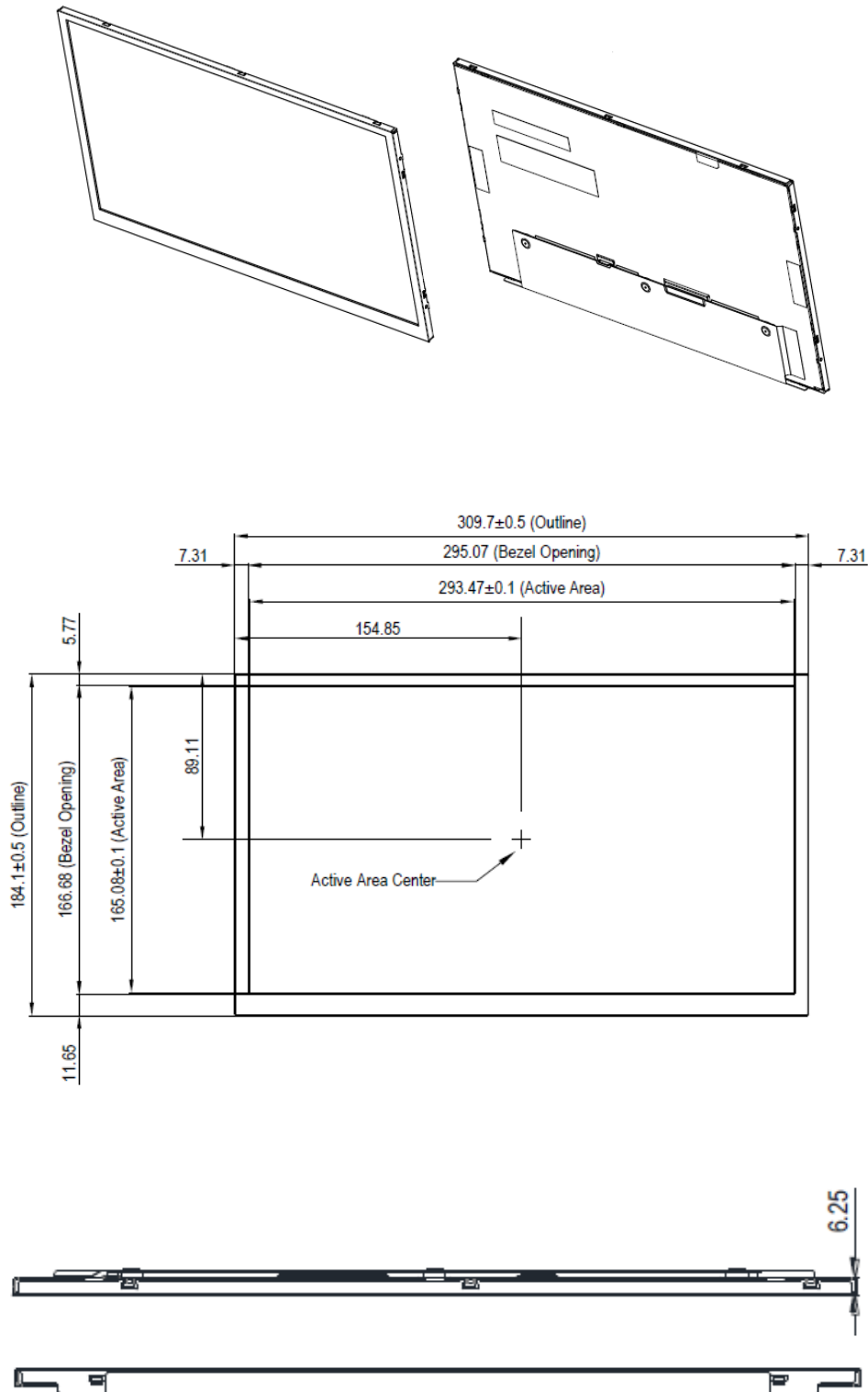
All brands or product names are trademarks or registered trademarks of their respective companies.

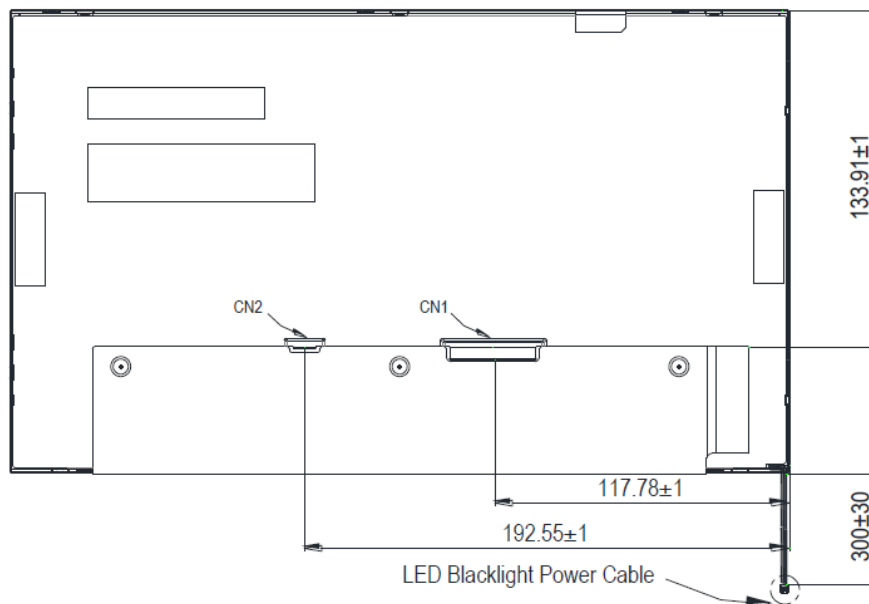
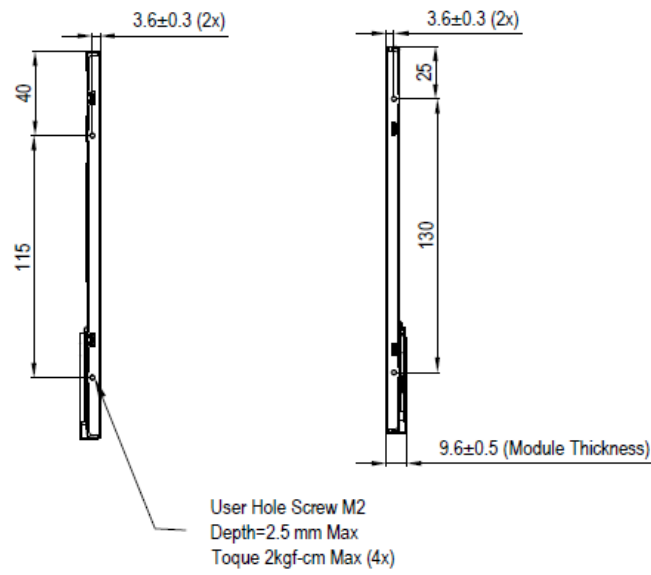


Mechanical Drawing

Outline Dimensions

Unit:mm





Connector View

Note:

1. CN1: LVDS Interface Connector To Be HRS DF19K-30P-1H(54)
2. CN2: LED Driver Connector To Be HRS DF19G-8P-1H(54)
3. User Hole Maximum Insertion Depth Is 2.5mm
4. Unspecified Tolerance To Be ±0.5mm



Ordering Information

Part Number	Description
DLF1335-ANN-A01	13.3",1000nits,1920x1080,LID13B,10in1,V1
DLH1335-ANN-P01	13.3",1000nits,1920x1080,LID13B,AD8220GDHP,DC12V,10in1,V1

Optional Accessories

Part Number	Description
810618301010	CABLE,POWER,AC,1830mm USA type
810618301090	CABLE,POWER,AC,1830mm Europe type
810618301050	CABLE,POWER,AC,1830mm UK type
810618301170	CABLE,POWER,AC,1830mm Australia type
810618301031	CABLE,POWER,AC,1830mm Japan type

Customer request

Touch	SCT (Single-Touch), PCT (Multi-Touch)
Glass	Tempered glass, AR coating.....